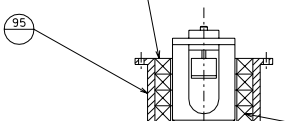
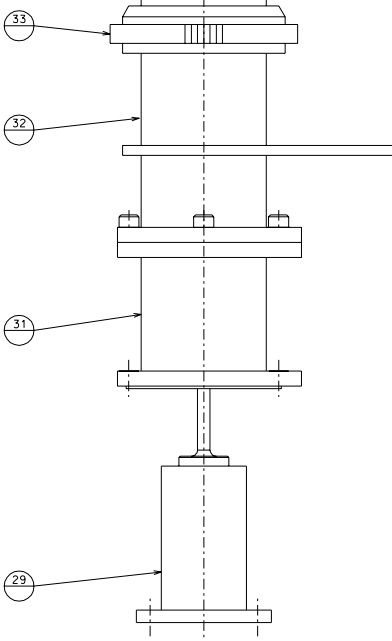


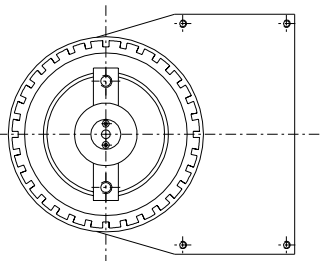
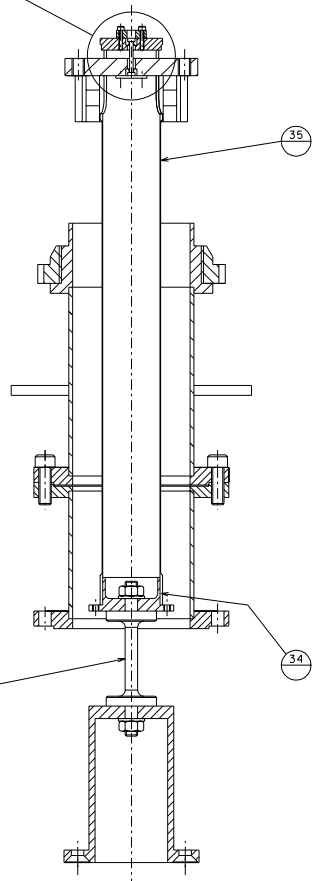
magnets ID 1/2"x1/2" n°32



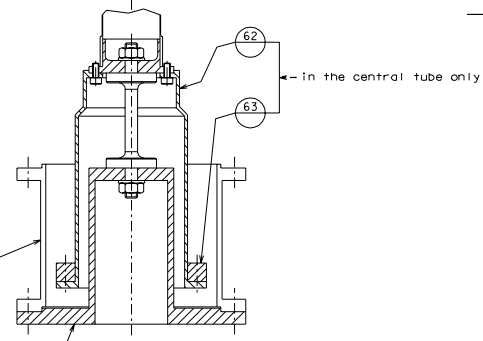
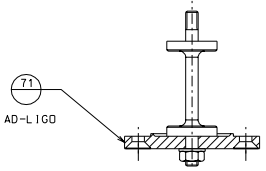
bunting magnets NEP 3054 NP  
1/2" diameter, 1/2" height



LIGO-I



AD-LIGO



ref.	desc.	date	signature		
	fitted head screw in the bottom	03-07-06			
	modified part 32	18-06-06			
	added note	25-02-06			
modifications					
39	137 small flex joint base pl.				
38	137 1/2 cup retainer				
37	137 top leg disk	95	154 magnets support		
36	137 small flex joint	94	154 magnets separator		
35	136 IP leg	71	138 Adv-L100 flex joint base		
34	137 flex joint connector	67	135 flex joint base		
33	138 maint. locking screw	66	135 Adv-L100 ext. spool		
32	138 safety tube	63	136 c. weight		
31	136 L100-1 safety tube ext.	62	136 c. weight bell		
30	135 main flex joint	41	137 disk		
29	135 L100-1 flex joint base	40	137 1/2 cups		
ref.	draw.	added remark	ref.	draw.	added remark

detail	type	n°piec.
39-2	tommy head M10x35	8
38-37	tommy head M5x12 (S)	8
39-41	tommy head M4x12	8
31-32	tommy head M10x25 (S)	16
1-31	tommy head M10x30	16
1-29	tommy head M10x30	16
Screw's table		

NOTE: The details 93 and 30 must be aligned and slip fit with the details 71, 67, 29. The mass of individual parts must be checked and recorded. The length of this assembly must be checked, and if necessary adjusted, to make legs of equal length within 0.1 mm.

**LIGO PROJECT**  
 designed by: **R.De Salvo**  
 drawn by: **G.Gennaro-PROMECC**  
 date: 26-12-04  
 LIGO-D051107-03-D  
 scale: 1/2  
 sheet: A 1