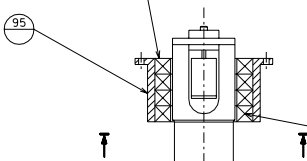
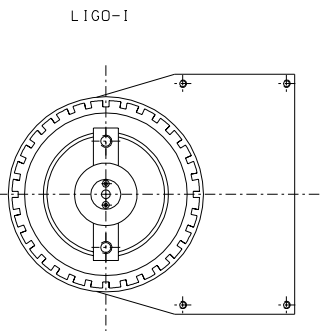
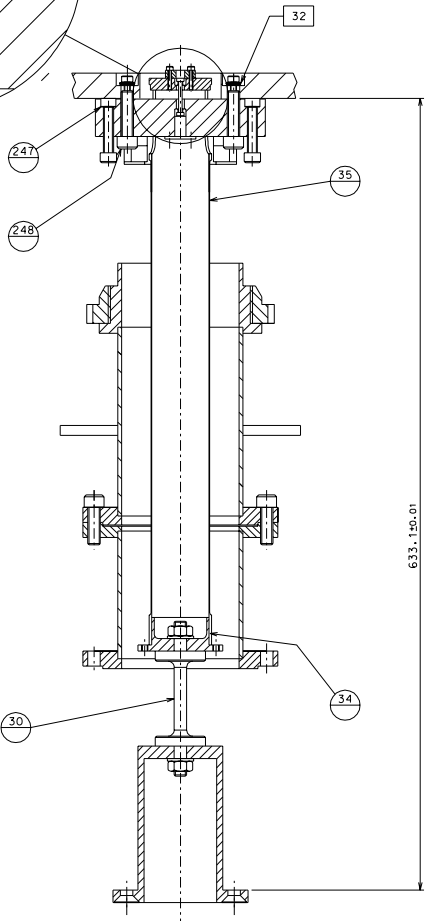
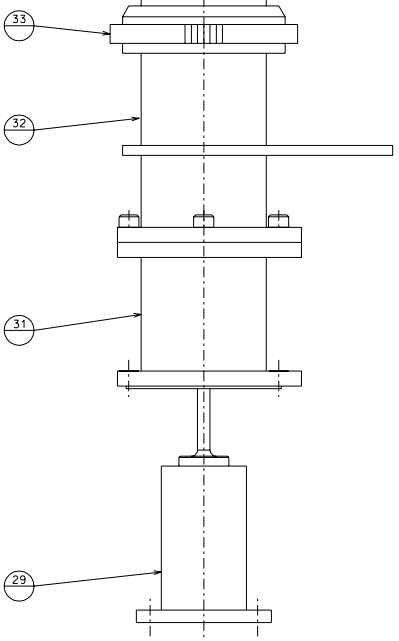


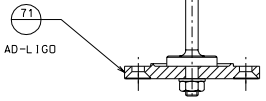
magnets ID 1/2"x1/2" n°32



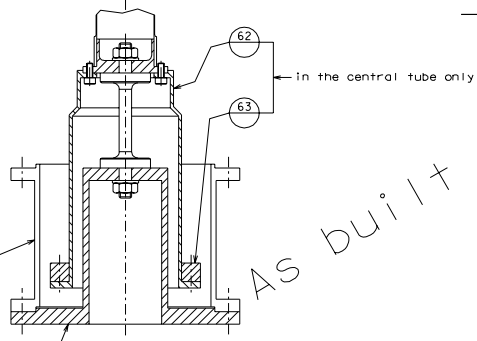
bunting magnets NEP 3054 NP
1/2" diameter, 1/2" height



LIGO-I



AD-LIGO



AS built

part no.	description	quantity
39-2	tommy head M10x35	8
38-37	tommy head M5x12 (S)	8
39-41	tommy head M4x12	8
31-32	tommy head M10x25 (S)	16
1-31	tommy head M10x30	16
1-29	tommy head M10x30	16
detail	type	n°piec.

Screw's table

ref.	desc.	date	signature
modified thickness part 39		10-09-06	
modified part 39		17-08-06	
fitted head screw in the bottom		03-07-06	
modified part 32		18-06-06	
ref.	desc.	date	signature
modifications			
39	137 small flex joint base pl.	248	137 drilled screw
38	137 1/2 cup retainer	247	137 guided disc
37	137 top leg disk	95	154 magnets support
36	137 small flex joint	94	154 magnets separator
35	136 JP leg	71	138 Adv-L100 flex joint base
34	137 flex joint connector	67	135 flex joint base
33	138 maint. locking screw	66	135 Adv-L100 ext. spool
32	138 safety tube	63	136 c. weight
31	136 L100-1 safety tube ext.	62	136 c. weight bell
30	135 main flex joint	41	137 disk
29	135 L100-1 flex joint base	40	137 1/2 cups
ref.	desc.	date	signature

NOTE-1: The details 93 and 30 must be aligned and slip fit with the details 71, 67, 29
The mass of individual parts must be weighed and recorded.
The length of this assembly must be checked, and if necessary adjusted, to make legs of equal length within 0.1 mm.
NOTE-2: As built modification in the LASTI prototype only

designed by: R.De Salvo
drawn by: G.Gennaro-PROMEC
date: 26-12-04
LIGO-0051107-05-D
scale: 1/2
A 1

LIGO PROJECT
INVERTED PENDULUM GR.2