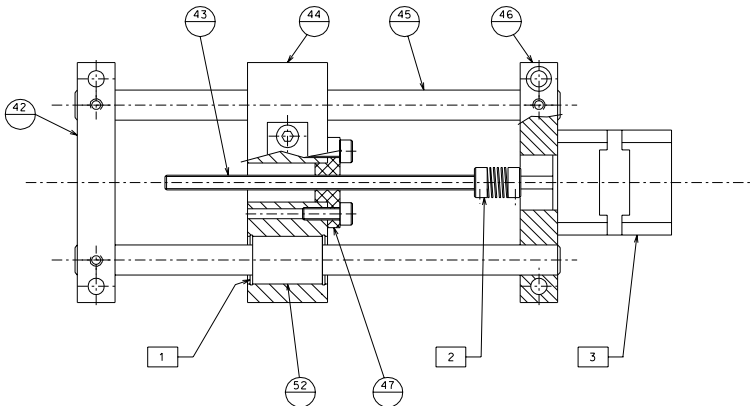


Accu-Glass 9D-PKP
10400 9 pin sub-D
male connector at
end of cable

Connection convention:
1-2 A-
6-7 A+
3-4 B-
8-9 B+



NOTE: Spring length range 0 to +/- 53 mm
Maximum length half spring 170 mm
Minimum length half spring 117 mm

part no.	description	quantity
42-46-45	grub screw 5Mx8	16
49-4	countersunk head M10x25 (S)	8
51-44	tormy head screw 5Mx16	8
50-51-48-49	tormy head screw 4Mx16 (S)	24
47-44	tormy head screw 5Mx16	8
42-32	tormy head screw 6Mx50 (S)	8
46-32	tormy head screw 6Mx60 (S)	8
motor-46	nut M3	16
detail	type	n°piec.
Screw's table		

- 1 Ring seeger J 19x1 V- n°16 pieces
- 2 Oriental Motor flexible coupling MC120505C - n°4 piece
- 3 Stepping motor AML B17.2-R - n°4 piece

ref.	note	date	signature		
	deleted part 230 in part list	24-05-06			
	added connector convention	05-05-06			
	added range indications	08-04-06			
modifications					
48	139 spring clamp				
47	143 hor. movem. nut				
46	143 motor flange	76	139 horizontal spring		
45	143 rod	52	139 bushing		
44	139 sled	51	143 central spring supp.		
43	143 hor. mov. screw	50	143 central spring clamp		
42	143 support	49	139 spring support		
ref.	draw.	added legend	ref.	draw.	added legend

	LIGO PROJECT SLIDE GR.5	designed by: R.De Salvo drawn by: G.Gennaro-PROMECC date: 11-12-04
	11114 HAM-OPTICAL BENCH	LIGO-D051108-04-D scale: 1/1 A 1