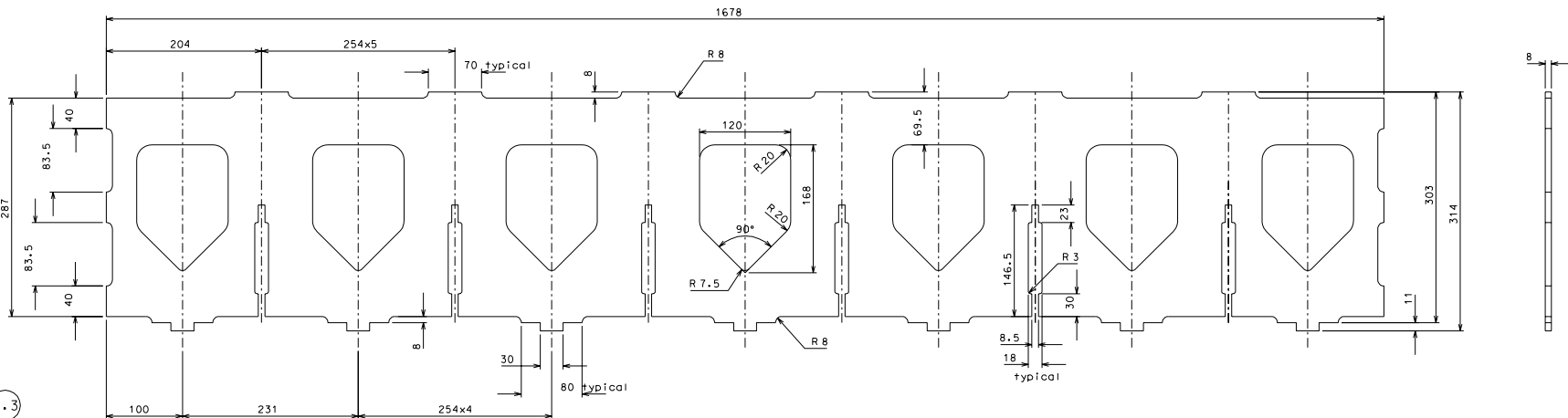


3.4

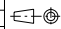


3.3

3.4	6	EN 5083 H111	1/3				
3.3	6	EN 5083 H111	1/3				
ref.	piece	mat. and treatments	serie	ref.	piece	mat. and treatments	serie

General machining tolerances UNI 5107-85							
dimensions	< 4	4-30	30-120	120-315	> 315-1000	1000-5000	> 5000
linear tol.	± 0.1	± 0.2	± 0.3	± 0.5	± 0.8	± 1.2	± 2
angular tol.	± 1'	± 30'	± 20'	± 10' related to the shortest side			

ref.	date	signature
modifications		


LIGO PROJECT
 designed by: **R. De Salvo**
 drawn by: **G. Gemmaro-PROMECH**
 date: **28-12-04** scale: **1/3**
HAM-OPTICAL BENCH
 LIGO-D051119-00-D
 sheet: **117** of **A 1**