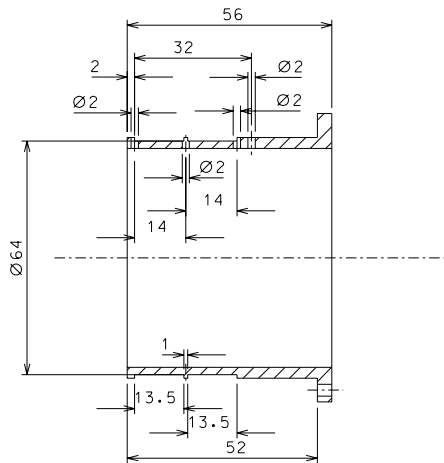
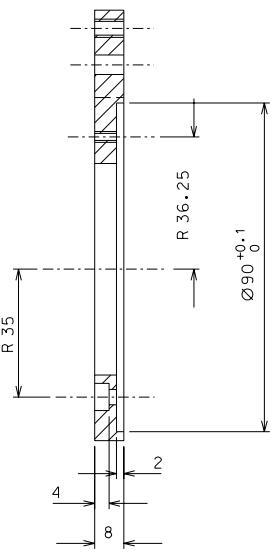
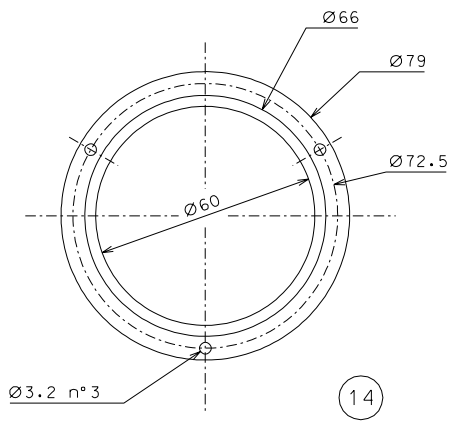
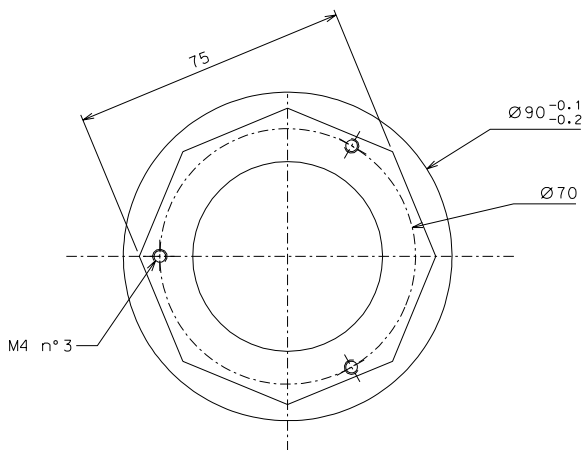


18



15



14

secondary coil: wire 41-AWG size 100 turns for coil.

Use only kapton insulated wires approved by LIGO, all other kinds of enamel are forbidden.

modified external dia part 18				10-04-06			
ref.	pieces	mat. and treatments	scale	date	signature		
modifications							
18	4	AISI 304	1/1				
15	4	ARMCO steel	1/1				
14	4	peek 1000	1/1				
ref.	pieces	mat. and treatments	scale	ref.	pieces	mat. and treatments	scale

General machining tolerances UNI 5307-63							
Dimensions	< 6	6-30	30-120	120-315	315-1000	1000-2000	> 2000-4000
Linear Toli.	± 0.1	± 0.2	± 0.3	± 0.5	± 0.8	± 1.2	± 2
angular Toli.	± 1'	± 30"	± 20"	± 10" referred to the shortest side			
				designed for <b>R.De Salvo</b> draw. by <b>G. Gennaro-PROMECC</b> date 2-01-05 scale 1/1			
title <b>HAM-OPTICAL BENCH</b> <b>DETAILS FILTER</b>				LIGO-D051125-01-D detail from 106 A 2			