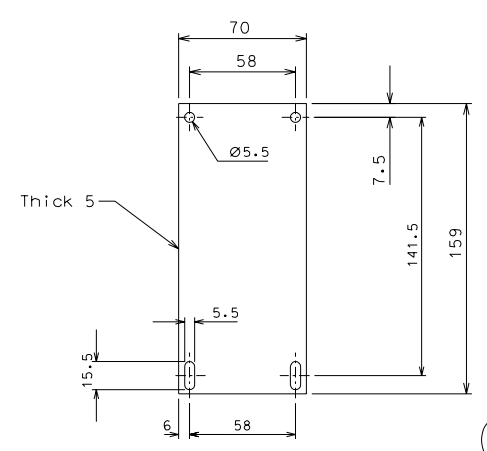
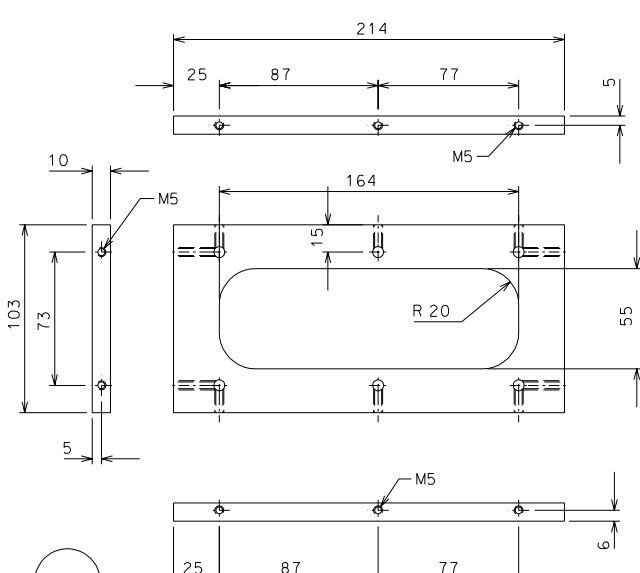


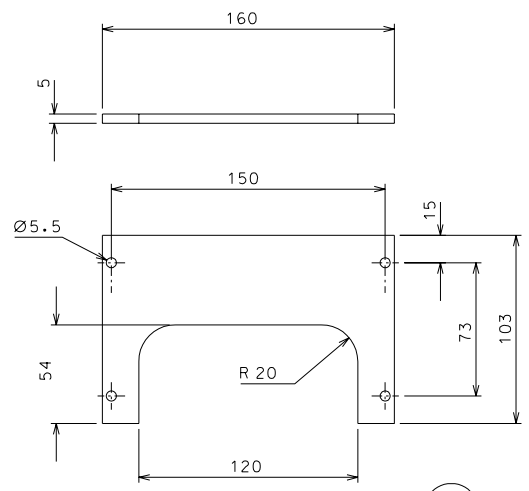
65.2



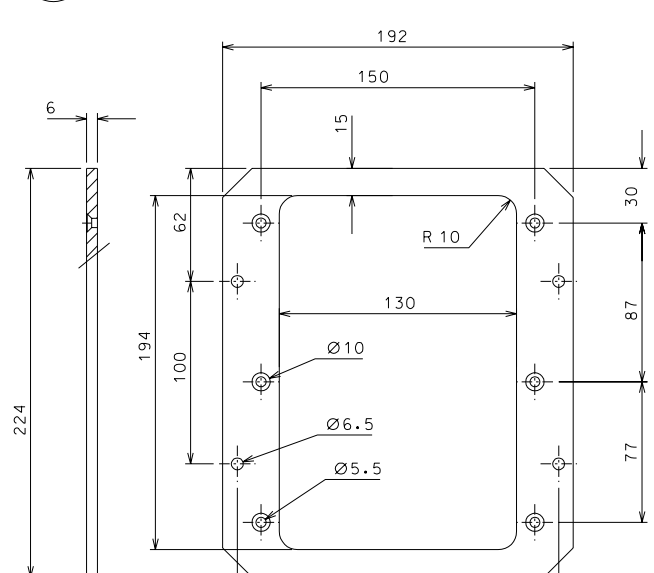
68



65.3



65



65.1

modified part 68				26-09-06	
replaced the holes on the base				30-03-06	
ref.	note			date	time
modifiche					
68	8	AISI 304	1/2		
65.3	4	EN 6082	1/2		
65.2	4	EN 6082	1/2		
65.1	12	EN 6082	1/2		
65	8	EN 6082	1/2		
ref.	pieces	mat. and treatments	scale	ref.	pieces mat. and treatments scale

General machining tolerances UNI 5307-63								
Dimensions	< 6	6-30	30-120	120-315	315-1000	>1000-2000	>2000-4000	> 4000
Linear Toli.	± 0.1	± 0.2	± 0.3	± 0.5	± 0.8	± 1.2	± 2	± 3
angular Toli.	± 1' ± 30' ± 20'			± 10'				
designed for							R.De Salvo	
draw. by							G. Gennaro-PROMECC	
date							04-09-06	
scale							1/2	
title							HAM-OPTICAL BENCH	
DETAILS LVDT ACTUATOR							LIG0-D051129-03-D	
ref. from							105	
							A 2	