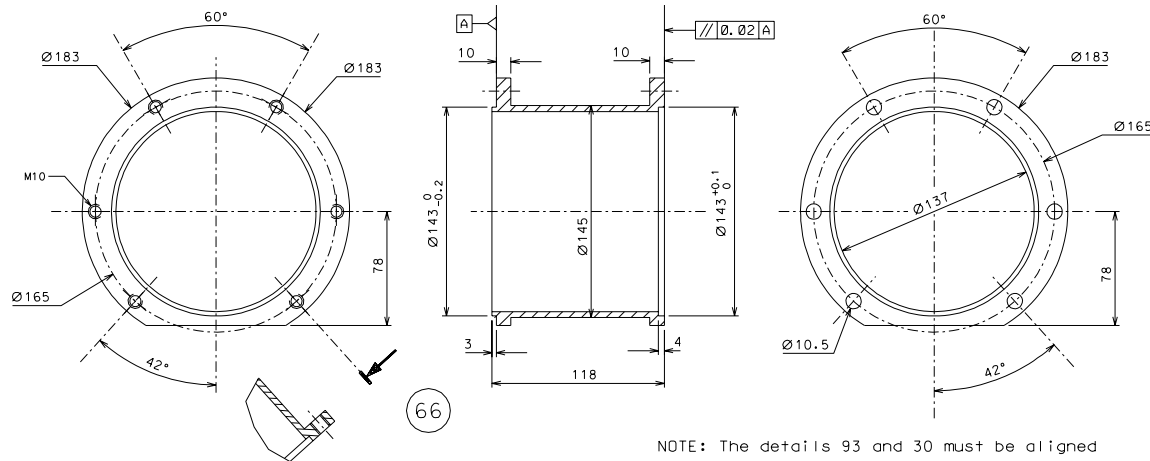


X = 4 reference for 10 Kg load,
adjust according to required load.
See drawing 51213

X = 9.5 reference for 1000 Kg load,
adjust according to required load

X = 10.3 for 2006 LASTI prototype (1430 Kg)



NOTE: The details 93 and 30 must be aligned
and slip fit with the details 71, 67, 29

| ref. | note | date | signature |
|---------------|------------------------------|---------------------|-----------|
| | modified part 66 and 30 | 21-07-06 | |
| | modified holes part 29-66-67 | 18-07-06 | |
| | modified dimension part 67 | 07-06-06 | |
| modifications | | | |
| ref. | pieces | mat. and treatments | scale |
| 67 | 2 | AISI 304 | 1/2.5 |
| 66 | 2 | AISI 304 | 1/2.5 |
| 30 | 4 | maraging | 1/2.5 |
| 29 | 2 | AISI 304 | 1/2.5 |
| ref. | pieces | mat. and treatments | scale |

| General machining tolerances UNI 5307-63 | | | | | | |
|--|-------|--------|----------|-------------------------------------|------------|-------------|
| Dimensions | < 6 | > 6-30 | > 30-120 | > 120-315 | > 315-1000 | > 1000-2000 |
| Linear Toli. | ± 0,1 | ± 0,2 | ± 0,3 | ± 0,5 | ± 0,8 | ± 1,2 |
| Angular Toli. | ± 1' | ± 30' | ± 20' | ± 10' referred to the shortest side | | |
| designed for R.De Salvo | | | | | | |
| draw. by G. Gennaro-PROME | | | | | | |
| date 08-01-05 | | | | scale 1/2.5 | | |
| TITLO HAM-OPTICAL BENCH | | | | | | |
| INVERTED PENDULUM | | | | | | |
| data ¹ from 107 | | | | | | A 2 |