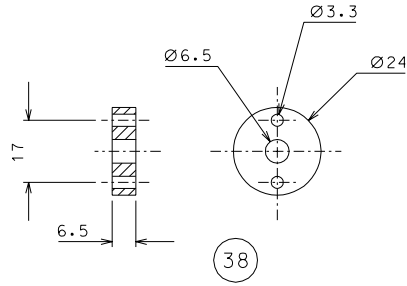
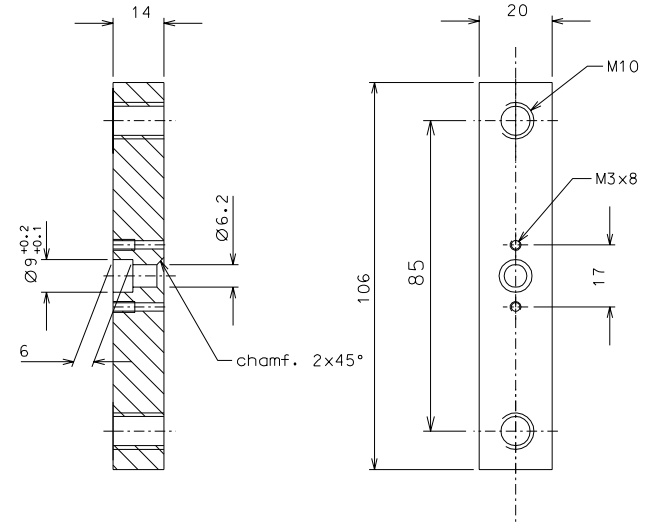


37

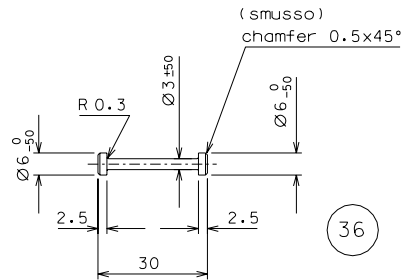


38

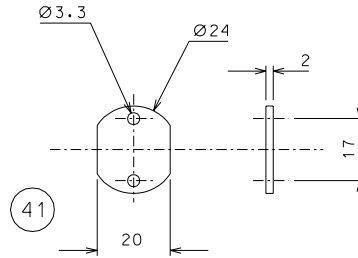


39

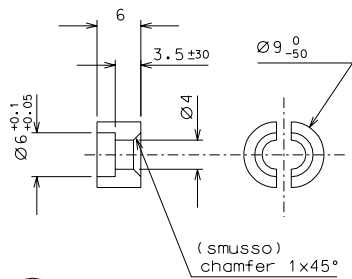
nickel flashing  
(nichelato leggero)



36

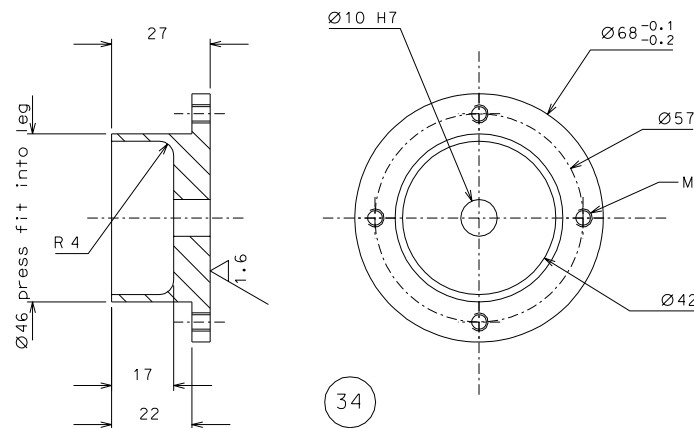


41



40

nickel flashing  
(nichelato leggero)



34

|                      |        |                     |       |          |           |                     |       |
|----------------------|--------|---------------------|-------|----------|-----------|---------------------|-------|
| modified parts 39-41 |        |                     |       | 29-04-06 |           |                     |       |
| ref.                 | note   |                     |       | date     | signature |                     |       |
| modifications        |        |                     |       |          |           |                     |       |
| 39                   | 4      | C 40                | 1/1   |          |           |                     |       |
| 38                   | 4      | AISI 304            | 1/1   |          |           |                     |       |
| 37                   | 4      | AISI 304            | 1/1   |          |           |                     |       |
| 36                   | 4      | maraging            | 1/1   | 41       | 4         | AISI 304            | 1/1   |
| 34                   | 4      | AISI 304            | 1/1   | 40       | 8         | C 40                | 1/1   |
| ref.                 | pieces | mat. and treatments | scale | ref.     | pieces    | mat. and treatments | scale |

|  |       |        |          |   |            |             |             |        |
|--|-------|--------|----------|---|------------|-------------|-------------|--------|
| General machining tolerances UNI 5307-63 |       |        |          |   |            |             |             |        |
| Dimensions                               | < 6   | > 6-30 | > 30-120 | > 120-315                                     | > 315-1000 | > 1000-2000 | > 2000-4000 | > 4000 |
| linear Toli.                             | ± 0,1 | ± 0,2  | ± 0,3    | ± 0,5   | ± 0,8      | ± 1,2       | ± 2         | ± 3    |
| angular Toli.                            | ± 1'  | ± 30'  | ± 20'    | ± 10' referred to the shortest side           |            |             |             |        |
| designed for<br><b>R.De Salvo</b>        |       |        |          | draw. by<br><b>G. Gennaro-PROMEC</b>          |            |             |             |        |
| date<br><b>9-01-05</b>                   |       |        |          | scale<br><b>1/1</b>                           |            |             |             |        |
| title<br><b>HAM-OPTICAL BENCH</b>        |       |        |          | data <sup>1</sup><br><b>LIGO-D051137-01-D</b> |            |             |             |        |
| INVERTED PENDULUM                        |       |        |          | data <sup>1</sup><br>107                      |            |             |             |        |
|  |       |        |          | A 2   |            |             |             |        |