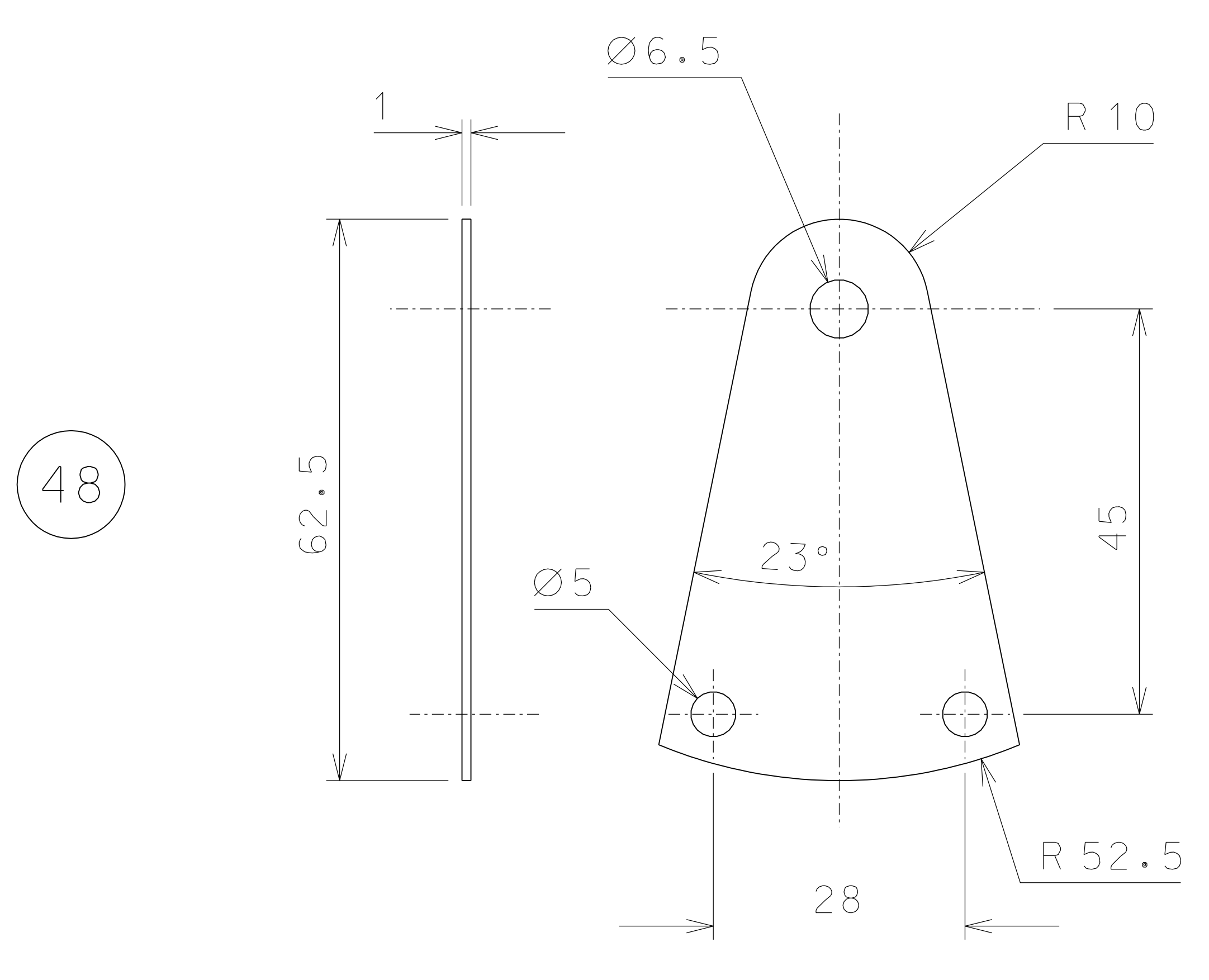


Note: Slip fit on part. 45 after assembly



		deleted part 76		22-11-06			
		changed parts 48-49		12-11-06			
		added dimensions spring		19-04-06			
ref.		note		date	signature		
modifications							
52	8	peek 1000	1/1				
49.1	8	AISI 304	1/1				
49	4	AISI 304	1/1				
48	8	AISI 304	1/1				
44	4	EN 6082	1/1				
ref.	pieces	mat. and treatments	scale	ref.	pieces	mat. and treatments	scale

General machining tolerances UNI 5307-63								
Dimensions	< 6	> 6-30	> 30-120	> 120-315	> 315-1000	> 1000-2000	> 2000-4000	> 4000
linear Toll.	± 0.1	± 0.2	± 0.3	± 0.5	± 0.8	± 1.2	± 2	± 3
angular Toll.	± 1	± 30'	± 20'	± 10' referred to the shortest side				
				designed for R.De Salvo				
title HAM-OPTICAL BENCH				draw. by G.Gennaro-PROMEC				
SLIDE				date 12-01-05				
				scale 1/1				
				LIGO-D051139-03-D				
				detail from 108		A 2		