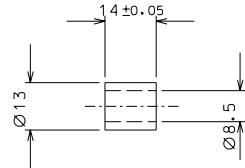
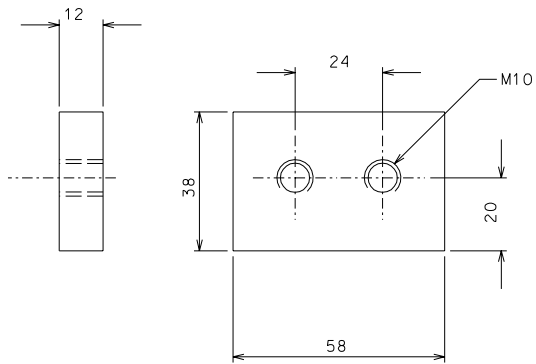


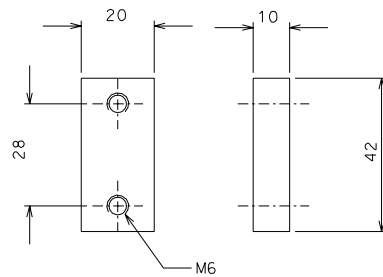
79



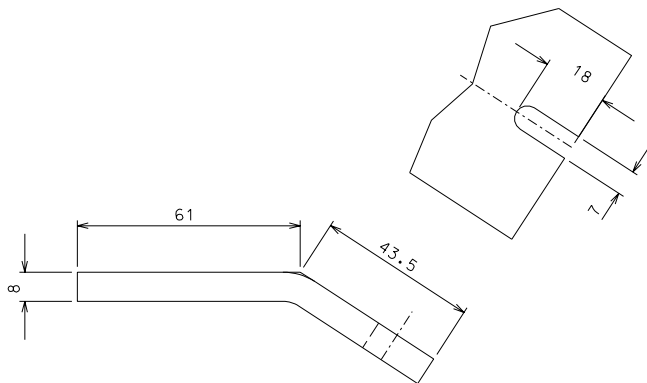
82



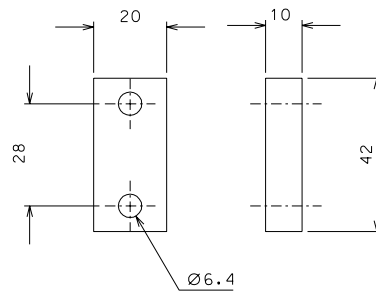
83



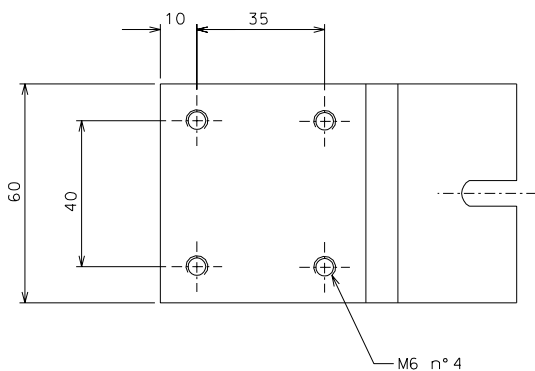
85



84



86



		modified details 79-83		08-04-06	
		modified number parts		26-02-06	
ref.	note	date	signature		
modifications					
85	1	AISI 304	1/1		
84	1	AISI 304	1/1		
83	1	AISI 304	1/1		
82	4	AISI 304	1/1		
79	2	AISI 316	1/1	86	1
ref.	pieces	mat. and treatments	scale	ref.	pieces

General machining tolerances UNI 5307-63						
Dimensions	< 6	> 6-30	> 30-120	> 120-315	> 315-1000	> 1000-2000
Linear Toli.	± 0.1	± 0.2	± 0.3	± 0.5	± 0.8	± 1.2
angular Toli.	± 1'	± 30'	± 20'	referred to the shortest side		
designed for			R.De Salvo			
draw. by			G. Gennaro-PROMECA			
date			28-01-05			
title			scale 1/1			
HAM-OPTICAL BENCH			LIGO-D051146-02-D			
DETAIL MOUNTING BLADE			detail from 144 A 2			