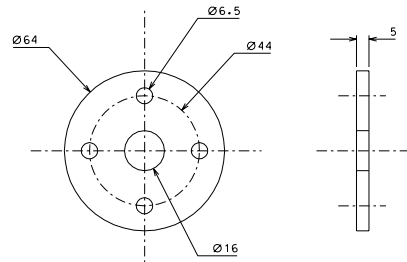
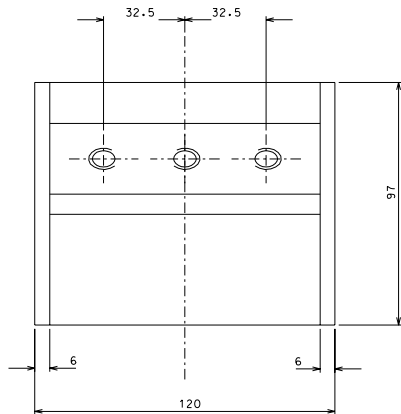
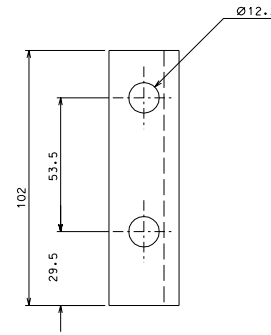


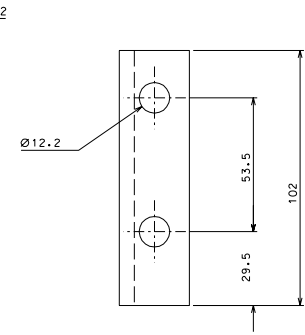
114



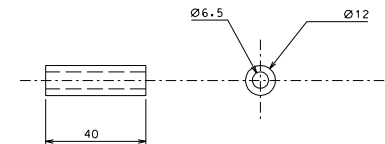
109



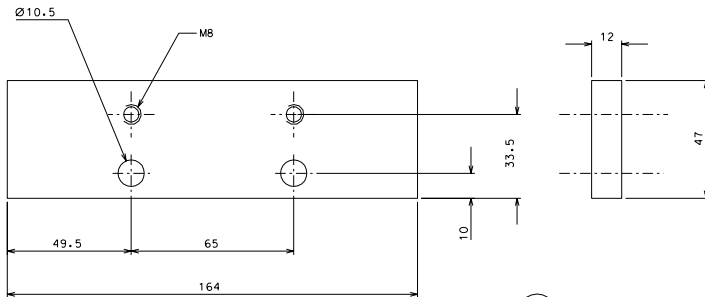
120



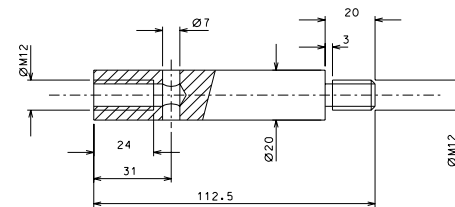
117



111



104



112

ref.	name	date	signature
	modified detail 114	29-10-05	
modifications			
114	32	AISI 304	1/1
112	16	AISI 304	1/1
111	16	AISI 304	1/1
109	4	AISI 304	1/1
120	32	AISI 304	1/1
117	32	AISI 304	1/1
104	32	AISI 304	1/1
ref.	plate	mat. and treatments	spec.
ref.	plate	mat. and treatments	spec.
ref.	plate	mat. and treatments	spec.

General machining tolerances UNI 5107-85			
dimensions	< 4	> 4 - 30	> 30 - 100
linear tol.	± 0.1	± 0.2	± 0.3
angular tol.	± 1'	± 30'	± 20'

designed by		checked by	
R. De Salvo		G. Germano - PROMEC	
date	3-08-05	date	1/1
LIGO PROJECT		LIGO-D051160-00-D	
HAM-OPTICAL BENCH		LARGE FILTER	
sheet	157	total	A 1