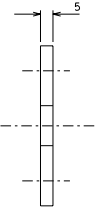
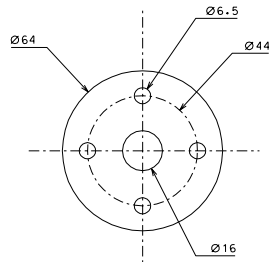
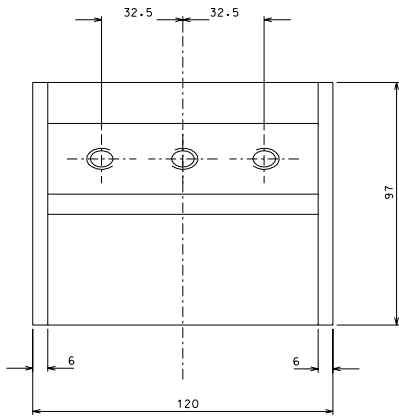
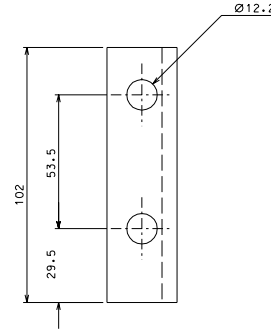


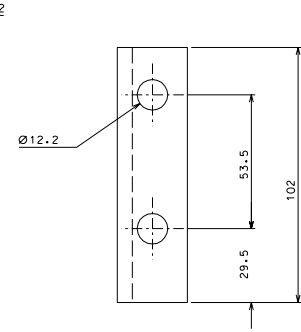
114



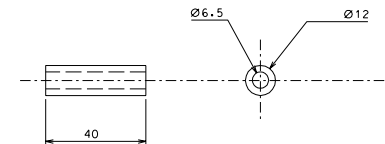
109



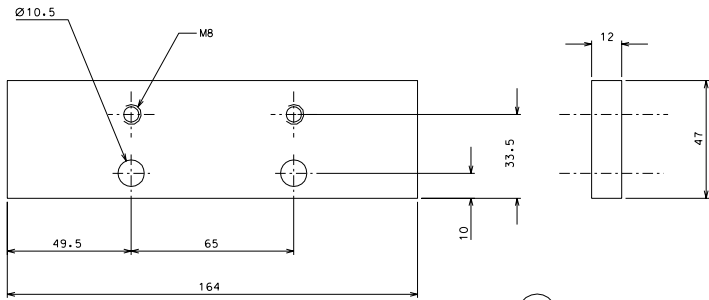
120



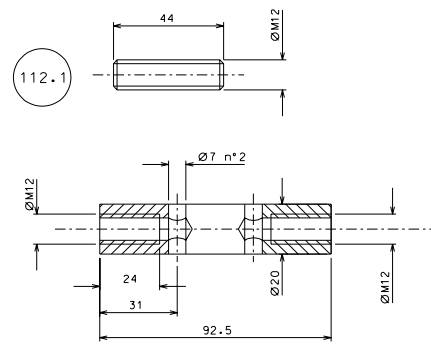
117



111



104



112.1

112

modified detail 112		08-04-06	
modified detail 114		29-10-05	
ref.	none	one	signature
modifications			
112.1	16	AISI 304	1/1
112	16	AISI 304	1/1
111	16	AISI 304	1/1
109	4	AISI 304	1/1
104	32	AISI 304	1/1
ref.	plate	mat. and treatments	spec.
ref.	plate	mat. and treatments	spec.

General machining tolerances UNI 5117-85			
dimension	< 4	4-30	> 30-100
linear tol.	±0.1	±0.15	±0.2
angular tol.	±1'	±30'	±20'

designed by		R. De Salvo	
drawn by		G. Germano - PROMEC	
date	3-08-05	scale	1/1
1114		LIGO-O51160-02-D	
LIGO PROJECT		LARGE FILTER	
sheet	157	total	A 1