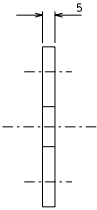
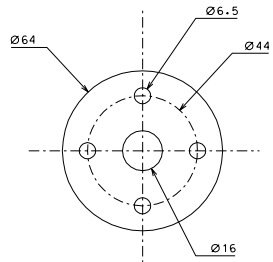
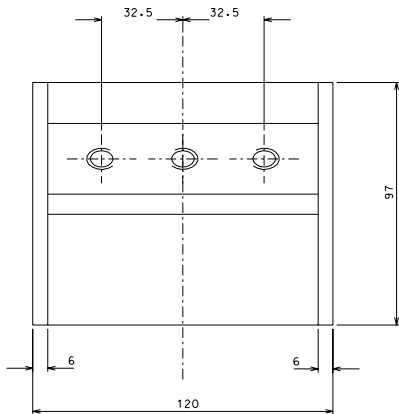
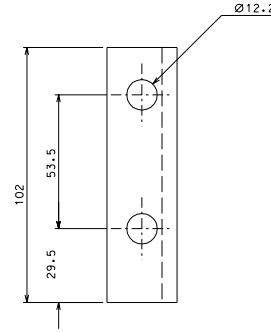


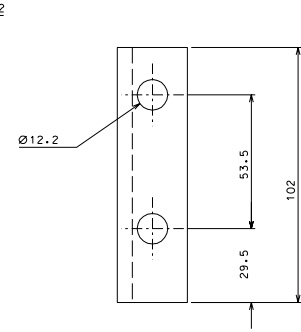
114



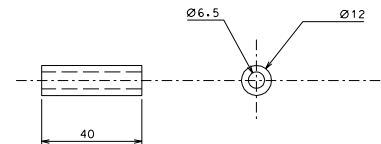
109



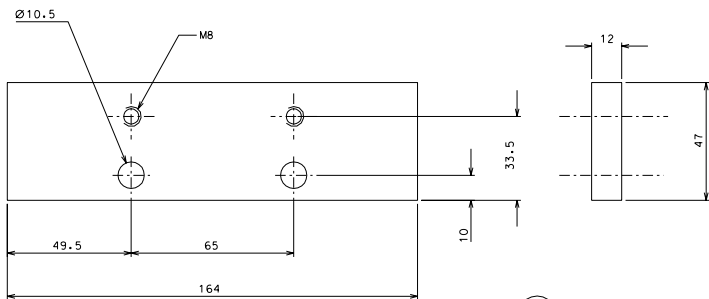
120



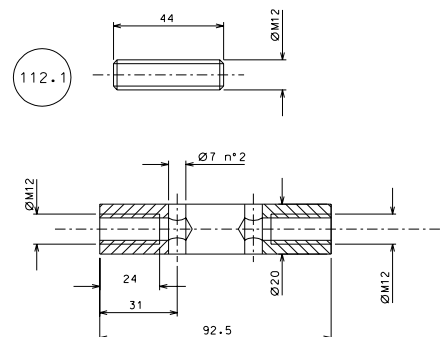
117



111



104



112.1

112

modified part 114	29-06-06		
modified detail 112	08-04-06		
modified detail 114	29-10-05		
ref.	none	one	signature

modifications			
112.1	16	AISI 304	1/1
112	16	AISI 304	1/1
111	16	AISI 304	1/1
109	4	AISI 304	1/1
104	32	AISI 304	1/1
ref.	plated	mat. and treatments	specie

General machining tolerances UNI 5107-85			
dimensions	< 4	>= 4 - < 30	>= 30 - < 100
linear tol.	± 0.1	± 0.2	± 0.3
angular tol.	± 1'	± 30'	± 20'

designed by: **R. De Salvo**  
 drawn by: **G. Germano - PROMEC**  
 date: **3-08-05** scale: **1/1**  
**LIGO PROJECT**  
**HAM-OPTICAL BENCH**  
**LARGE FILTER**  
 LIGO-D051160-03-D  
 sheet: **157** of **A 1**