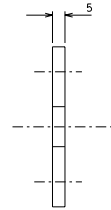
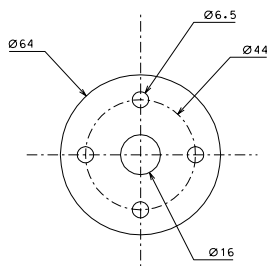
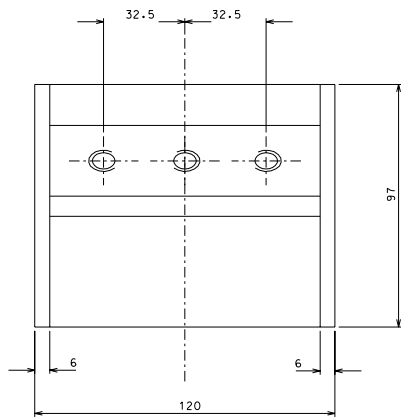
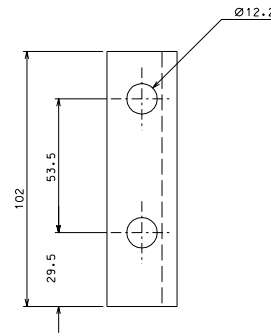


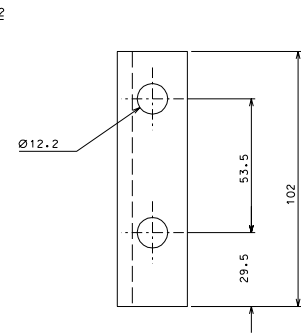
114



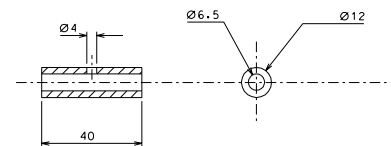
109



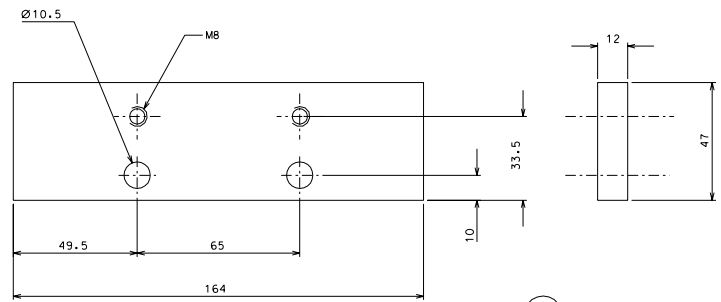
120



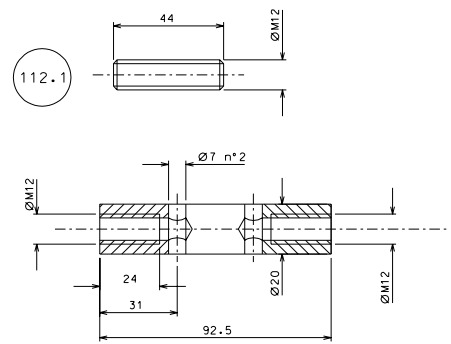
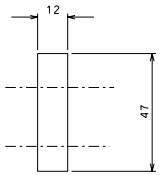
117



111



104



112.1

112

modified part 111	31-07-06		
modified part 114	29-06-06		
modified detail 112	08-04-06		
modified detail 114	29-10-05		
ref.	none	one	signature

modifications			
ref.	date	description	signature
112.1	16	AISI 304	1/1
112	16	AISI 304	1/1
111	16	AISI 304	1/1
120	32	AISI 304	1/1
109	4	AISI 304	1/1
117	32	AISI 304	1/1
114	32	AISI 304	1/1
114	32	AISI 304	1/1

General machining tolerances UNI 5117-85			
dimensions	< 4	4-30	> 30-100
linear tol.	±0.1	±0.2	±0.3
angular tol.	±1'	±30'	±20'
related to the start of the			
designed by: R. De Salvo			
drawn by: G. Germano - PROMEC			
date: 3-08-05			
scale: 1/1			
LIGO PROJECT			
HAM-OPTICAL BENCH			
LARGE FILTER			
sheet: 157			
A 1			