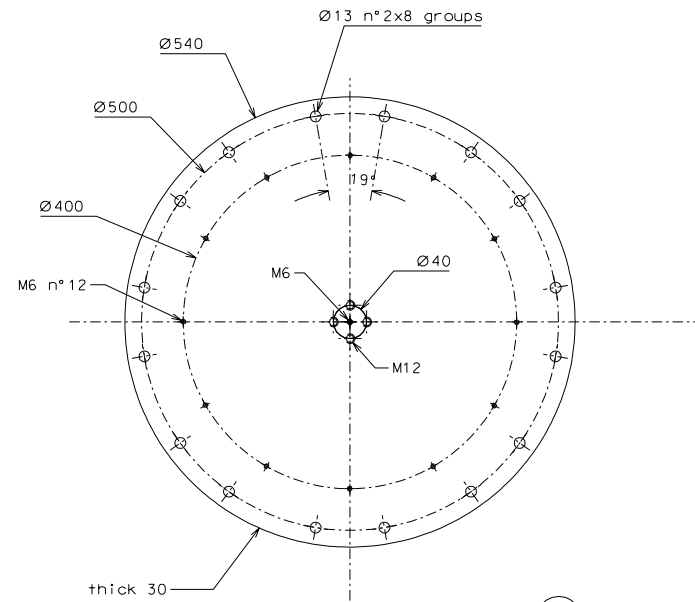


172



174

ref.	note	date	signature
modifications			
174	1	EN 6082	1/4
172	1	EN 6082	1/4
ref.	pieces	mat. and treatments	scale
ref.	pieces	mat. and treatments	scale

General machining tolerances UNI 5307-63								
Dimensions	< 6	> 6-30	> 30-120	> 120-315	> 315-1000	> 1000-2000	> 2000-4000	> 4000
linear Tol.	± 0.1	± 0.2	± 0.3	± 0.5	± 0.8	± 1.2	± 2	± 3
angular Tol.	± 1'	± 30'	± 20'	± 10' referred to the shortest side				

	designated for	R.De Salvo
	drawn by	G. Gennaro-PROMEC
date		28-10-05
scale		1/4
title		HAM-OPTICAL BENCH FLATS
detail from		176
		A 1