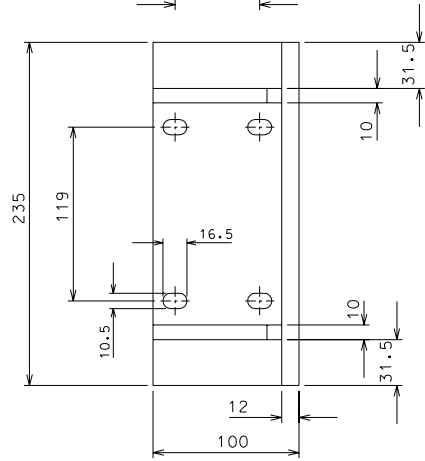
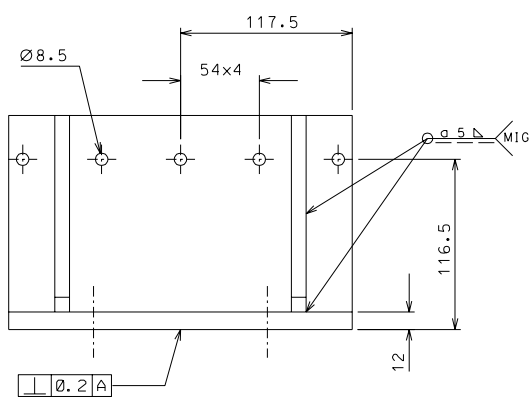
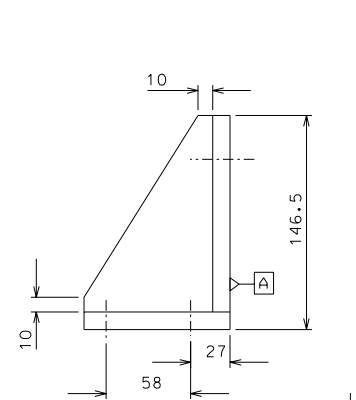


199.1



195

ref.	note	date	signature
modifications			
199.1	4	EN 6082	1/2.5
195	4	EN 6082	1/2.5
ref.	pieces	mat. and treatments	scale
General machining tolerances UNI 5307-63			
Dimensions	< 6	> 6-30	> 30-120
Linear Toli.	± 0.1	± 0.2	± 0.3
angular Toli.	± 1	± 30'	± 20'
referred to the shortest side			
designed for		R.De Salvo	
draw. by		G. Gennaro-PROMECC	
date		27-01-06	
title		scale	
HAM-OPTICAL BENCH		1/2.5	
MOUNTING SUPPORTS		LIGO-D051197-00-D	
detail from		190-191	
		A 2	