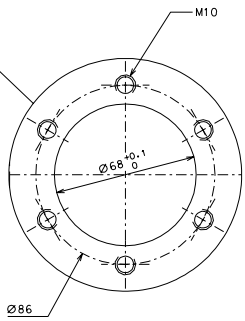
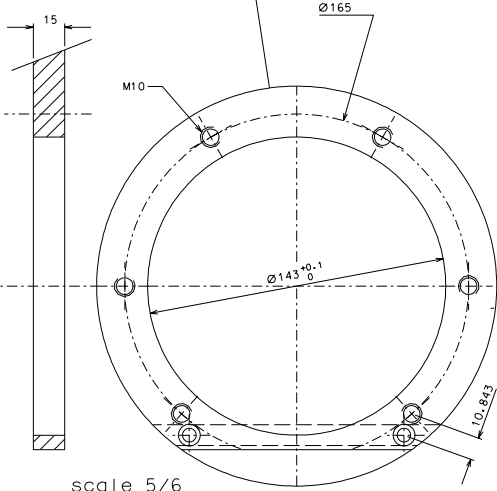


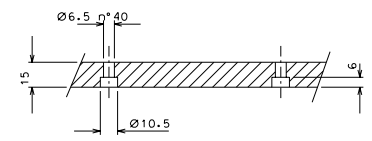
water jet cut



scale 5/6



scale 5/6



holes along the edge
section A-A
scale 2/3

ref.	note	date	signature					
modifications								
1.1	1	EN 6082	1/3					
ref.	class	ref. and treatments	scale					
General specifying tolerances UNI 5307-83								
Dimension	< 6	6-30	30-120	120-315	315-1000	1000-2000	2000-4000	> 4000
Tolerance	±0.1	±0.2	±0.3	±0.5	±0.8	±1.2	±2	±3
Surface	1	2	3	4	5	6	7	8
Surface	±1	±30	±20'	refer to the relevant side				
designed by				R.De Salvo				
checked by				G. Gennaro-PROMEC				
date				30-05-06				
scale				1/3				
title				HAM-OPTICAL BENCH				
drawing no.				LIG0-0051216-00-D				
sheet no.				114				
sheet				A 1				