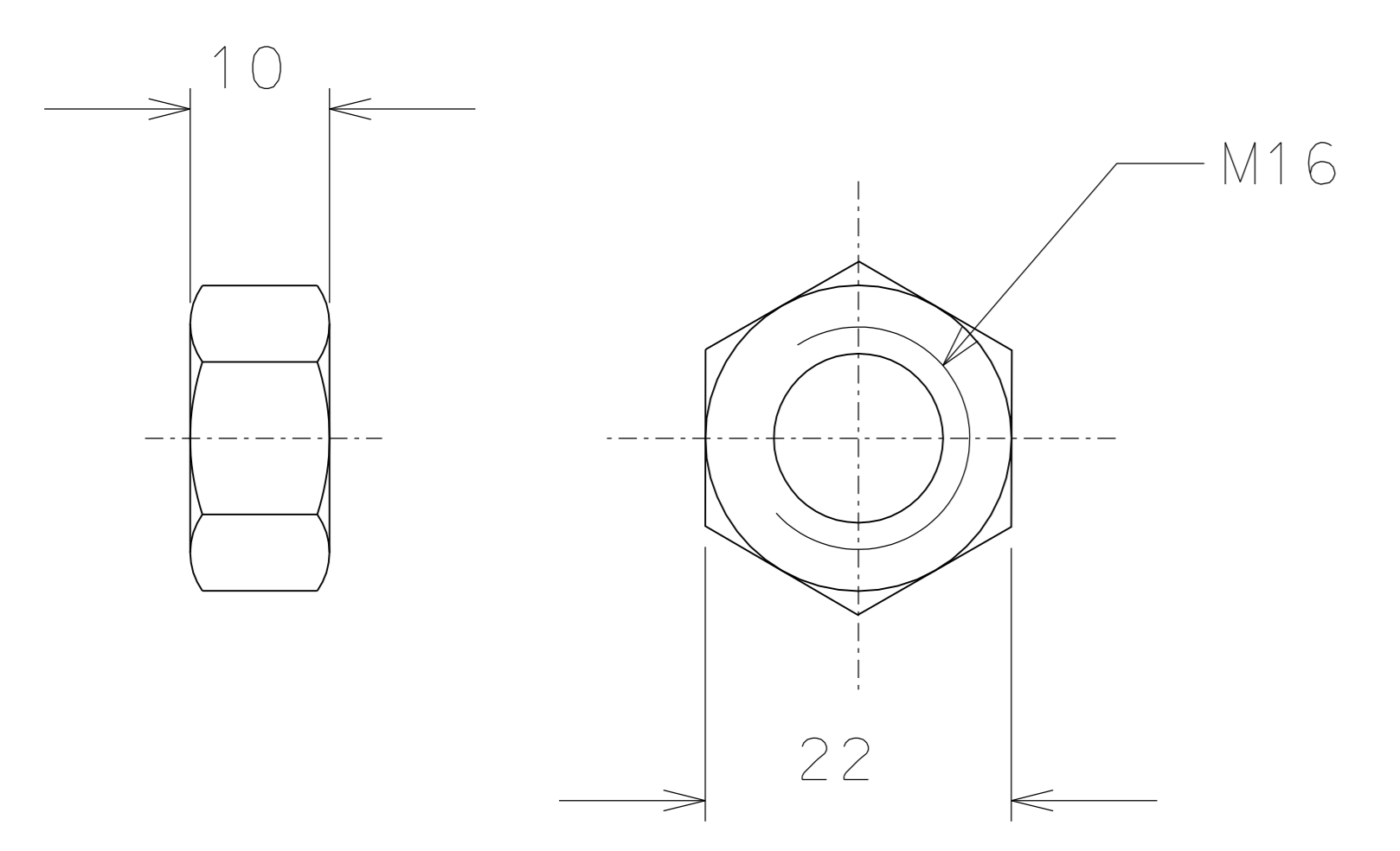


295

Nichel flashing

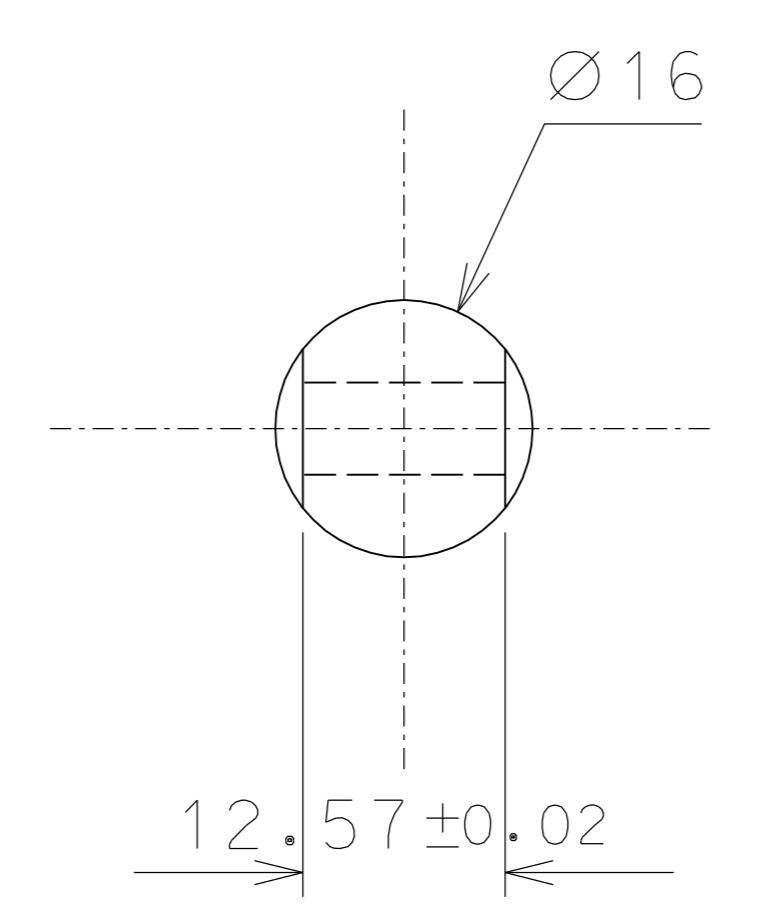
use stainless steel M16 bolt

296



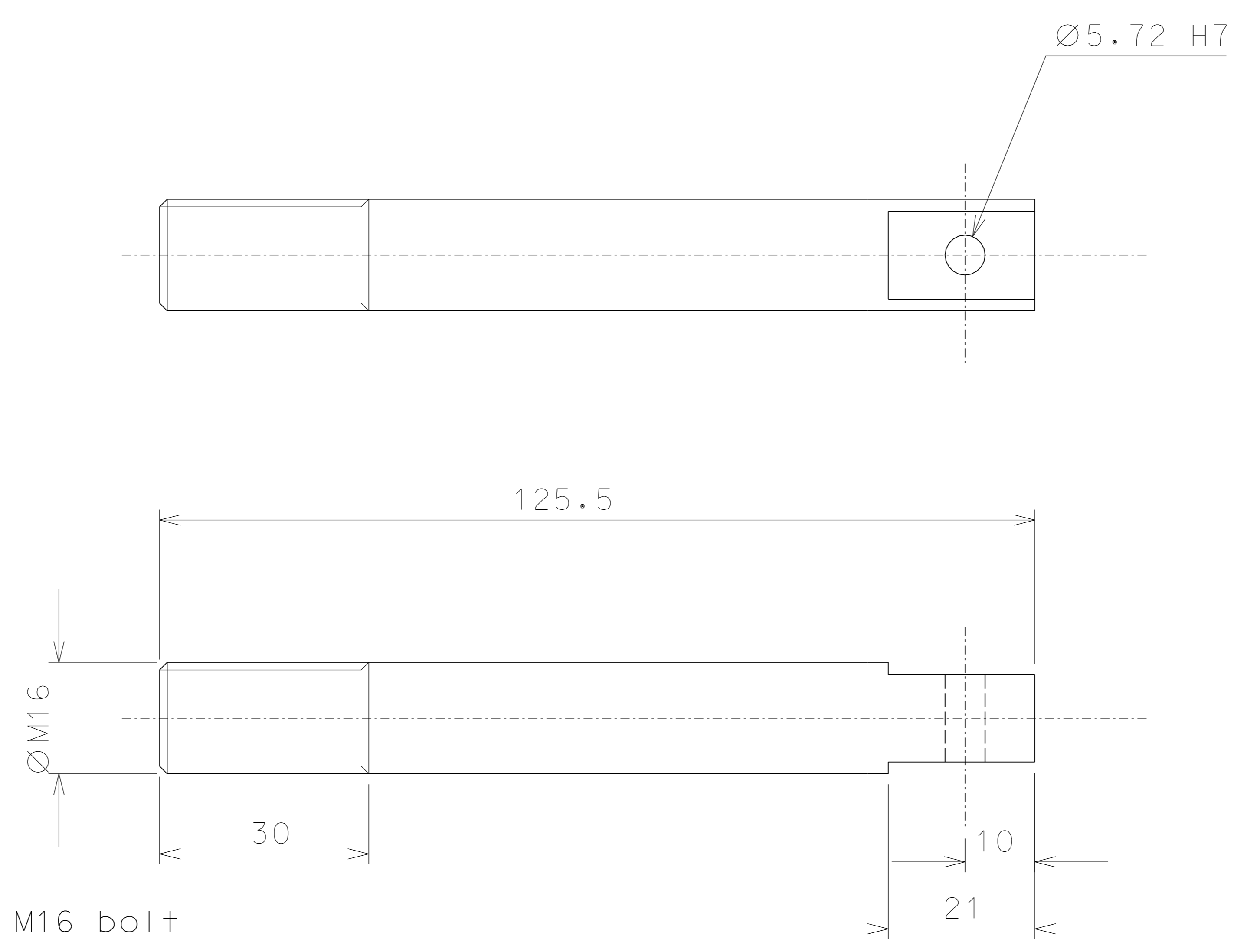
294.1

use M12 bolt



294

use stainless steel M16 bolt



		modified numeration table		31-10-06			
		added part 291.1		17-10-06			
ref.		note		date		signature	
modifications							
296	4	AISI 316	1/1				
295	8	Fe 360	1/1				
294.1	8	carbon steel	1/1				
294	4	AISI 316	1/1				
ref.	pieces	mat. and treatments	scale	ref.	pieces	mat. and treatments	scale

General machining tolerances UNI 5307-63								
Dimensions	< 6	> 6-30	> 30-120	> 120-315	> 315-1000	> 1000-2000	> 2000-4000	> 4000
linear Toll.	± 0.1	± 0.2	± 0.3	± 0.5	± 0.8	± 1.2	± 2	± 3
angular Toll.	± 1'	± 30'	± 20'	± 10'				referred to the shortest side
designed for				R.De Salvo				
LIGO PROJECT				draw. by G.Gennaro-PROMECC				
date				16-10-06		scale		1/1
title				HAM OPTICAL BENCH				
ELEVATOR				LIGO-D051251-02-D		detail from		194 A 2