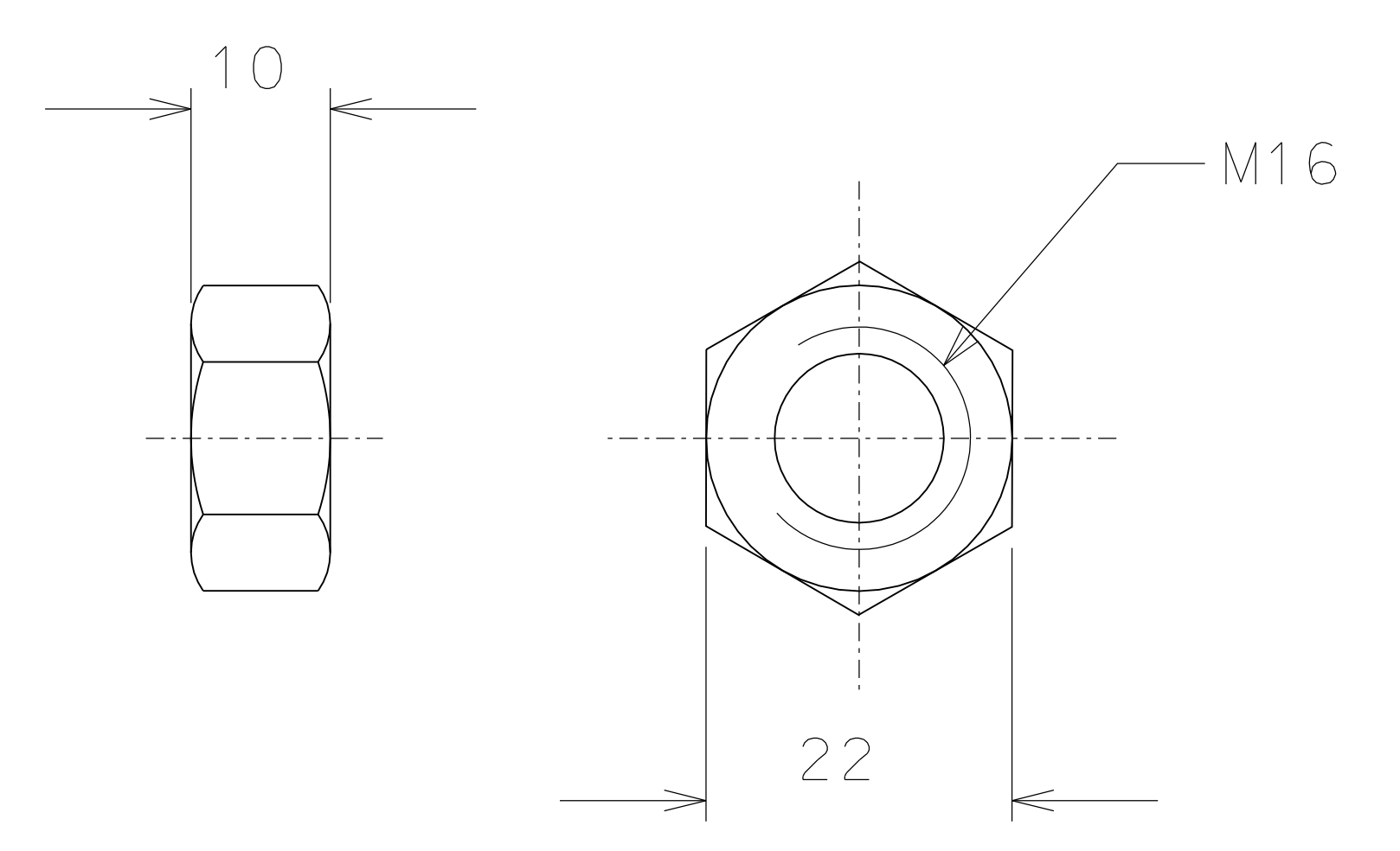


295

Nichel flashing

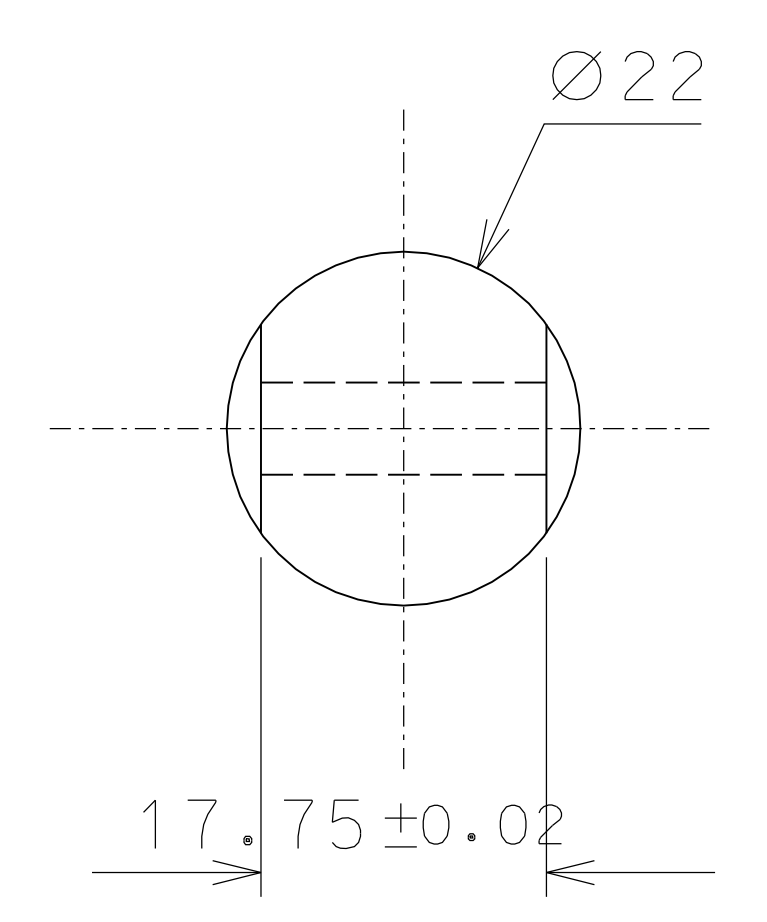
use stainless steel M16 bolt

296



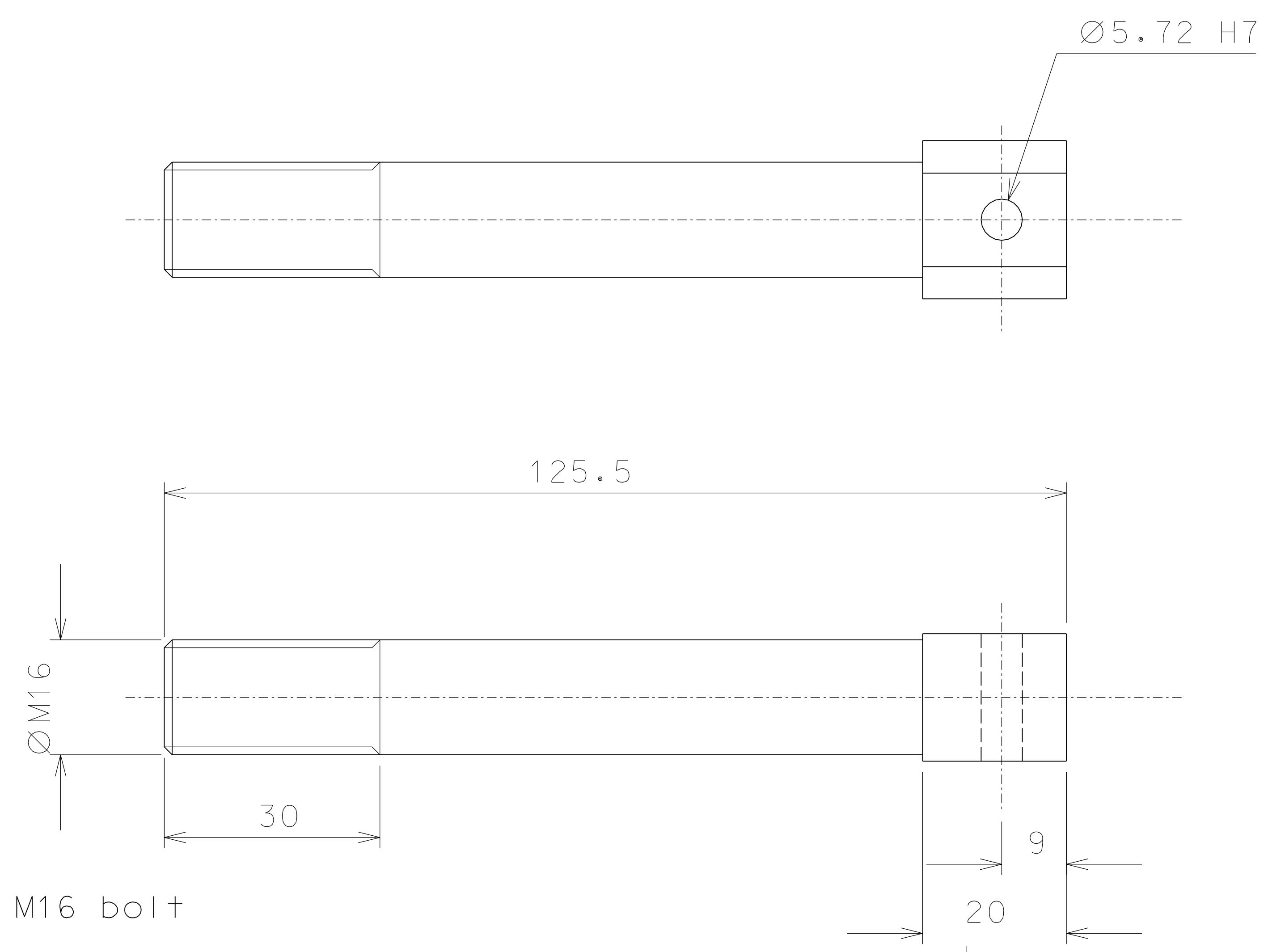
294.1

use M12 bolt



294

use stainless steel M16 bolt



		modified parts 294-296	20-11-06				
		modified numeration table	31-10-06				
		added part 291.1	17-10-06				
ref.		note	date	signature			
modifications							
296	4	AISI 316	1/1				
295	8	Fe 360	1/1				
294.1	8	carbon steel	1/1				
294	4	AISI 316	1/1				
ref.	pieces	mat. and treatments	scale	ref.	pieces	mat. and treatments	scale

General machining tolerances UNI 5307-63								
Dimensions	< 6	>6-30	>30-120	>120-315	>315-1000	>1000-2000	>2000-4000	> 4000
linear Toll.	± 0.1	± 0.2	± 0.3	± 0.5	± 0.8	± 1.2	± 2	± 3
angular Toll.	± 1	± 30'	± 20'	± 10'				referred to the shortest side
designed for		R.De Salvo						
draw. by		G.Gennaro-PROMECC						
date		16-10-06		scale		1/1		
title		HAM OPTICAL BENCH						
		ELEVATOR						
detail from		194		A		2		