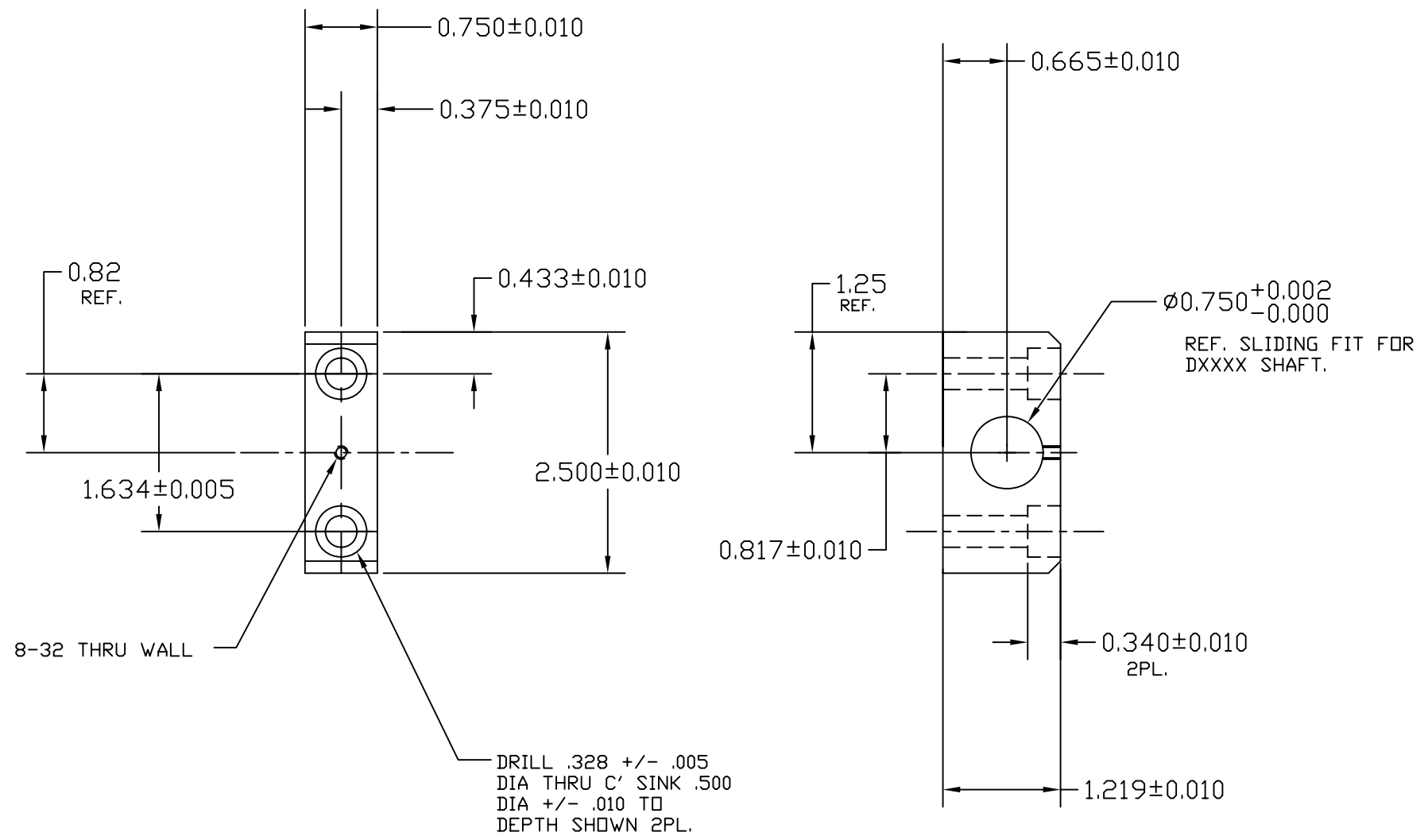


NOTES: (UNLESS OTHERWISE SPECIFIED)

REV.	DATE	DCH #	DRAWING TREE #
A	1-18-06	LIGO-E060004-00	



QTY 4

ITEM NO.	REQ. QUANTITY	SPARE QUANTITY	TOT. QUANTITY	PART NUMBER	DESCRIPTION	SUPPLIER
PARTS LIST						
UNLESS OTHERWISE SPECIFIED:				DATE	NAME	
DIMENSIONS ARE IN INCHES				DRAWN	1/6/06	KENN
TOLERANCES:				CHECKED		
XX ± .01						
XXX ± .005						
ANGULAR ± 3 DEG						
MATERIAL				COMMENTS:		
303 stainless						
FINISH						
N/A				SIZE	DWG. NO.	REV
				C	D060006-A	
				SCALE:		SHEET 1 OF 1