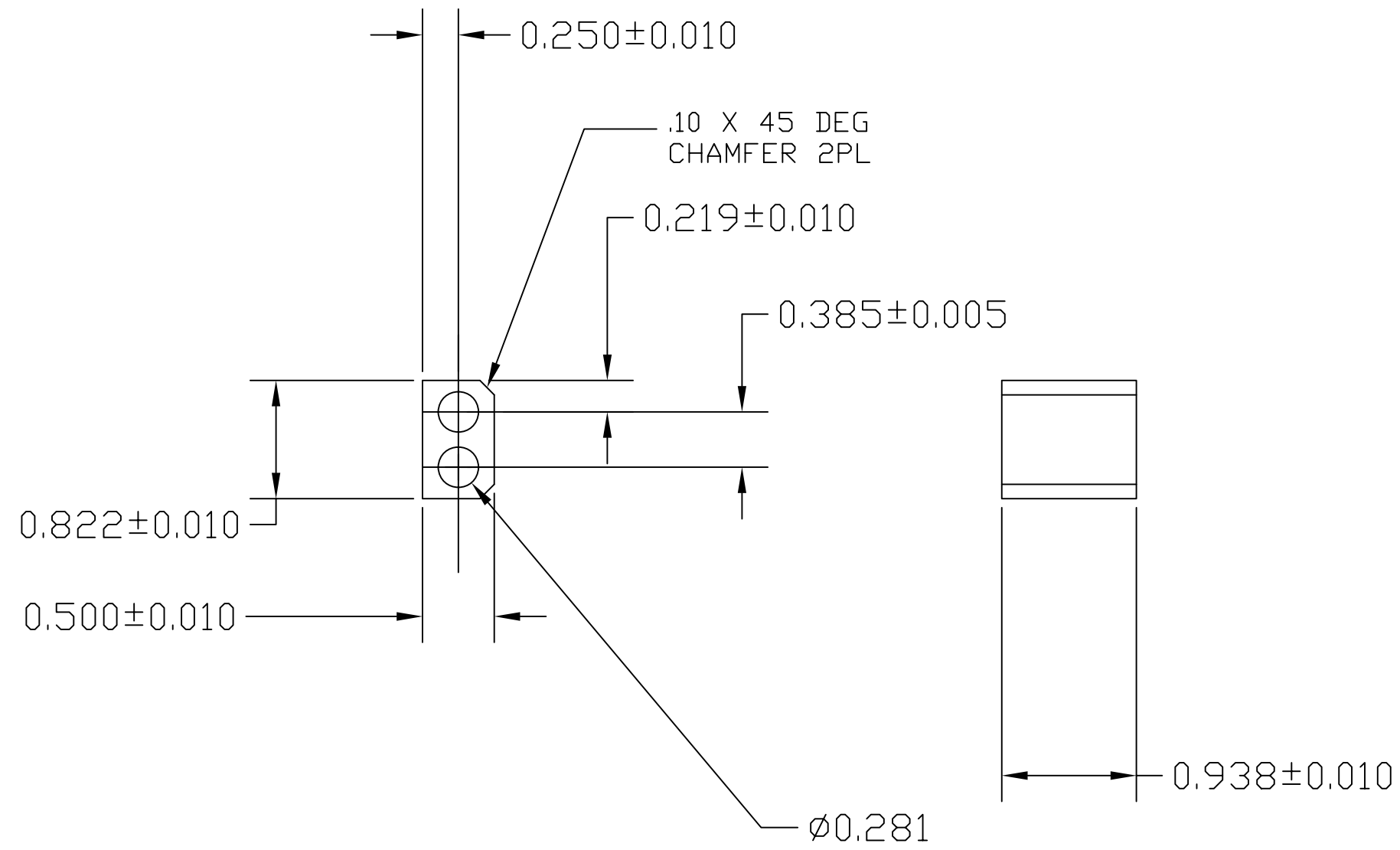


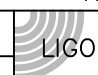
REV.	DATE	DCN #	DRAWING TREE #
A	1-18-06	LIGO-E060004-00	

NOTES: (UNLESS OTHERWISE SPECIFIED)



DRILL THRU  
2PL.

MAKE 2

ITEM NO.	REQ.	SPARE	TOT.	PART NUMBER	DESCRIPTION	SUPPLIER	
PARTS LIST							
UNLESS OTHERWISE SPECIFIED:				DATE	NAME	 CALIFORNIA INSTITUTE OF TECHNOLOGY MASSACHUSETTS INSTITUTE OF TECHNOLOGY	
DIMENSIONS ARE IN INCHES				DRAWN	1/11/06		KENM
TOLERANCES:				CHECKED			
.XX±:							
.XXX±:							
ANGULAR±:							
MATERIAL				COMMENTS:		SYSTEM LASTI SUB-SYSTEM QUAD SUSPENSION NEXT ASSY D060145-A PART NAME X-PLATE ADJUSTER FOOT	
303/304 STAINLESS						SIZE DWG. NO. D060009-A REV	
FINISH						SCALE: SHEET 1 OF 1	
N/A						FILE NAME/LOCATION: D060009-A	