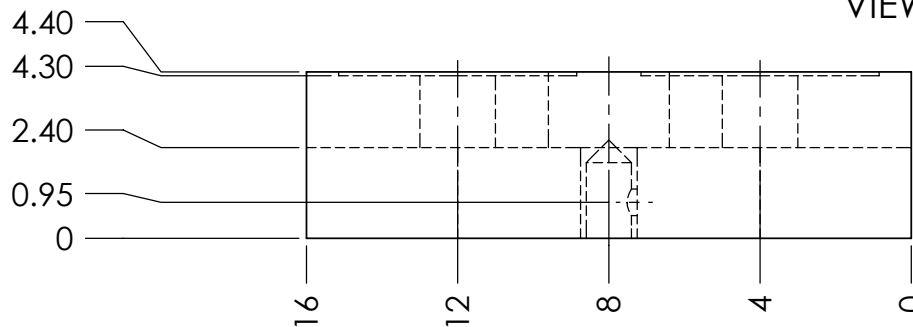
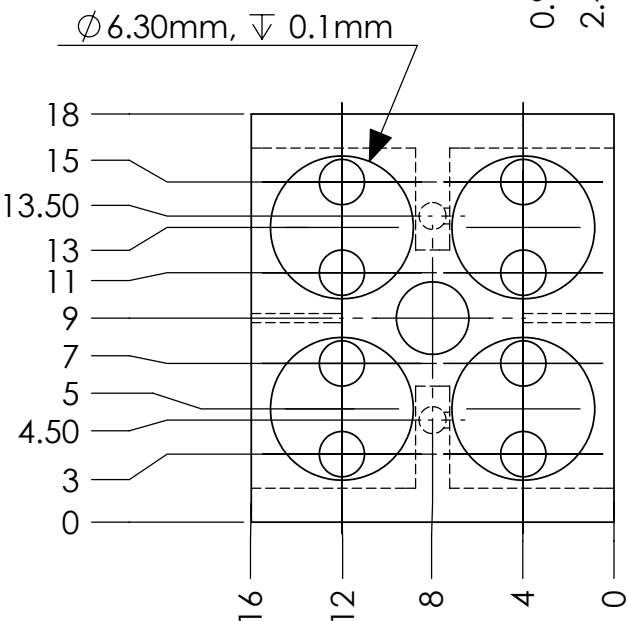
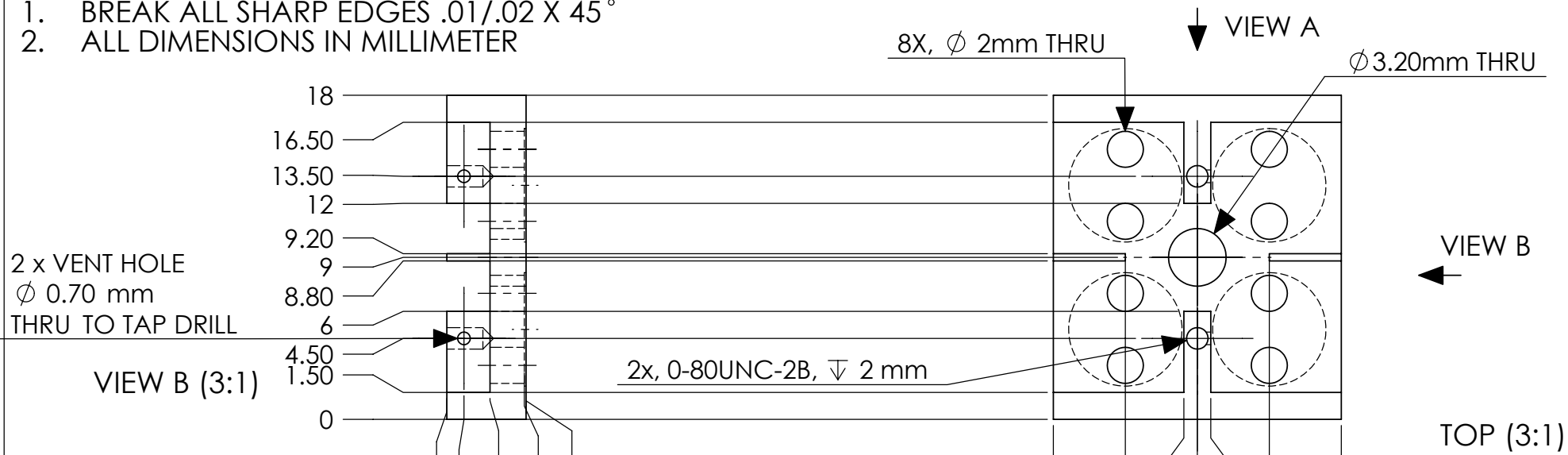


- NOTES: (UNLESS OTHERWISE SPECIFIED)
- BREAK ALL SHARP EDGES .01/.02 X 45°
 - ALL DIMENSIONS IN MILLIMETER



UNLESS OTHERWISE SPECIFIED:		NAME	DATE	Massachusetts Institute of Technology LIGO project		
DIMENSIONS ARE IN MILLIMETERS TOLERANCES ARE: \pm 0.05mm ANGULAR: \pm .25°		DRAWN	E. INNERHOFER	02/2006	TITLE: RPI, OSEM-spacer	
		CHECKED				
		ENG APPR.				
		MFG APPR.				
INTERPRET GEOMETRIC TOLERANCING PER:		Q.A.			SIZE A	
MATERIAL Aluminum		COMMENTS:				DWG. NO. LIGO-D060029-01-R
FINISH 32/ ∇						REV 01
DO NOT SCALE DRAWING		SCALE: 3:1			SHEET 1 OF 1	