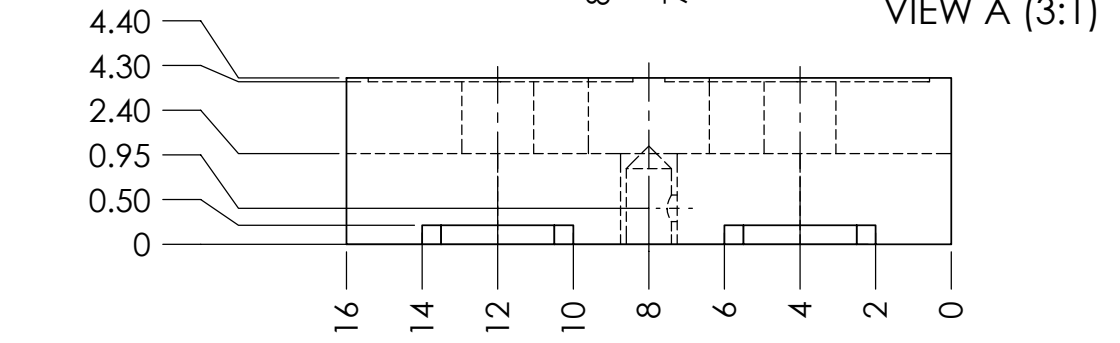
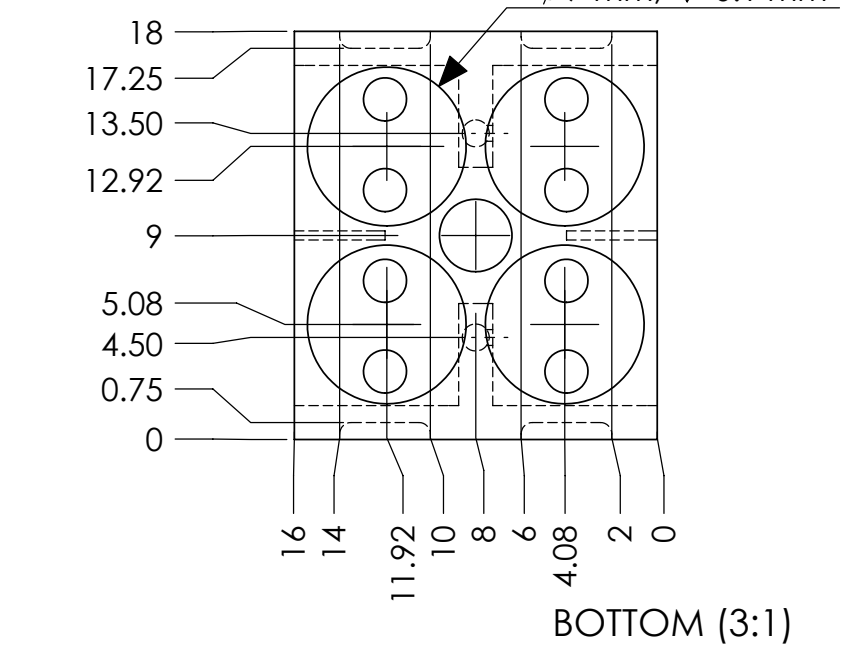
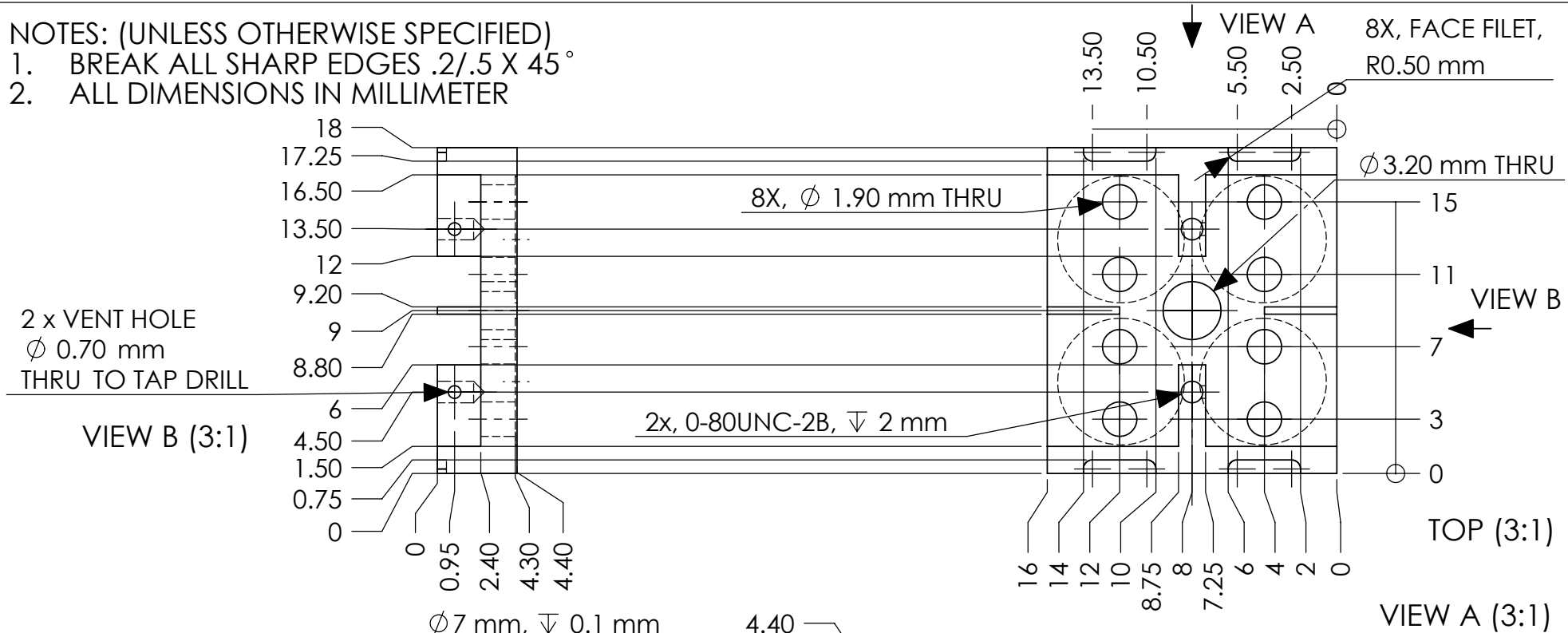


- NOTES: (UNLESS OTHERWISE SPECIFIED)
 1. BREAK ALL SHARP EDGES .2/.5 X 45°
 2. ALL DIMENSIONS IN MILLIMETER



UNLESS OTHERWISE SPECIFIED:		NAME	DATE	Massachusetts Institute of Technology LIGO project			
DIMENSIONS ARE IN MILLIMETERS TOLERANCES ARE: ± 0.05mm ANGULAR: ± .25°		DRAWN	E.INNERHOFER	02/2006	TITLE: RPI, OSEM-spacer		
INTERPRET GEOMETRIC TOLERANCING PER:		MODIFIED	E.INNERHOFER	02/2006			
MATERIAL Aluminum		COMMENTS:			SIZE	DWG. NO.	REV
FINISH 32/					A	LIGO-D060029-02-R	02
DO NOT SCALE DRAWING		SCALE: 3:1			SHEET 1 OF 1		