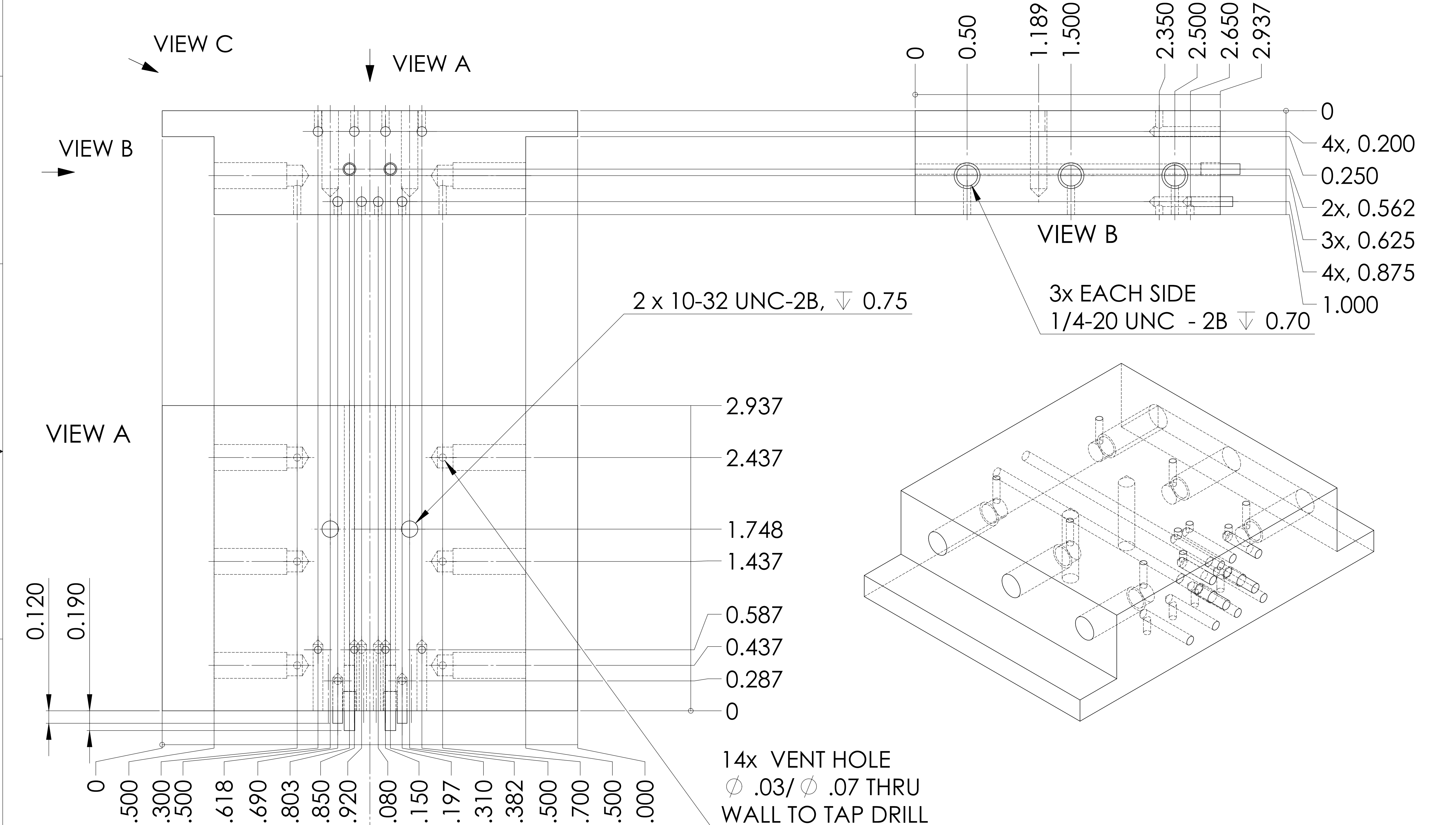


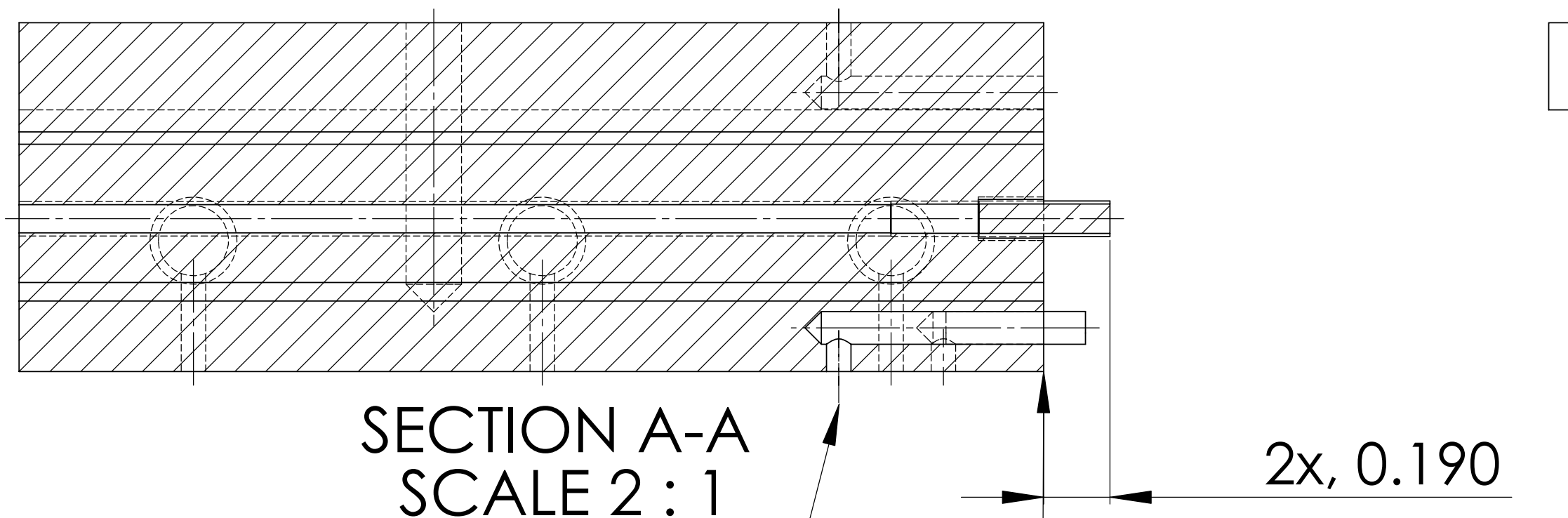
NOTES: (UNLESS OTHERWISE SPECIFIED)
 1. BREAK ALL SHARP EDGES .01/.02 X 45°
 2. FILETS: R .015 MAX
 3. ALL DIMENSIONS IN INCHES



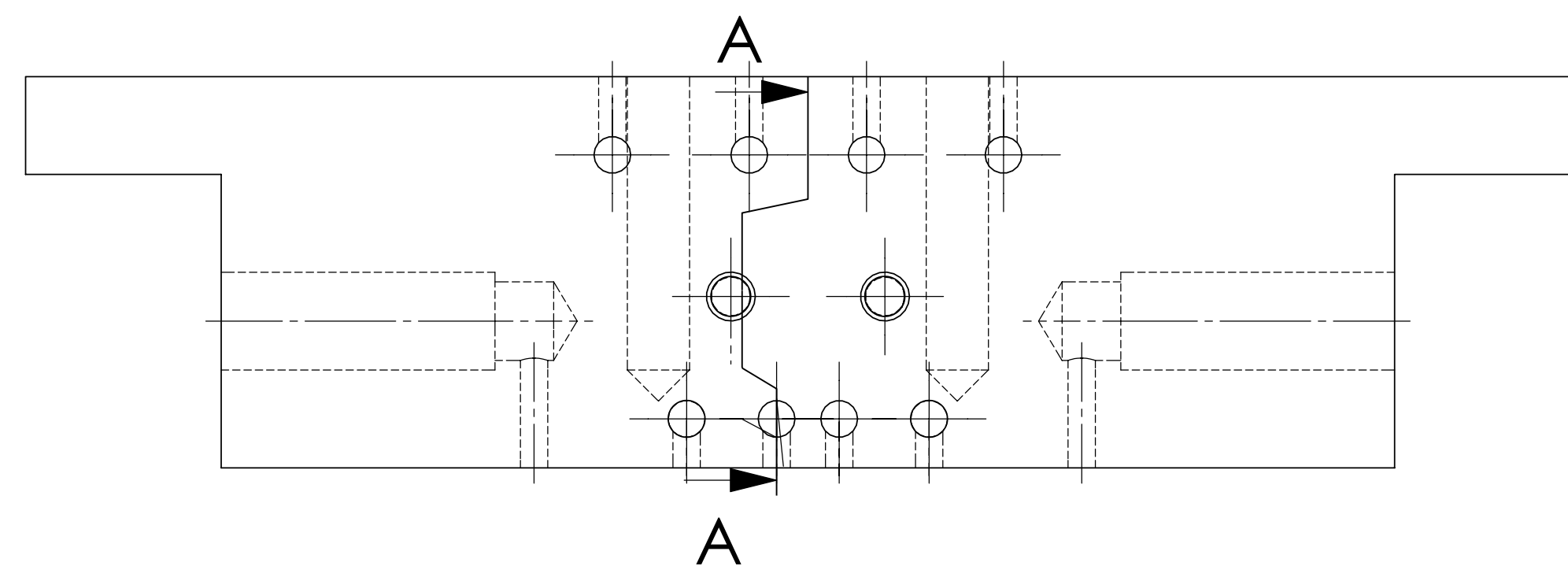
SYMMETRICAL
 ABOUT CENTER LINE

UNLESS OTHERWISE SPECIFIED:	NAME	DATE	Massachusetts Institute of Technology LIGO project
DIMENSIONS ARE IN INCHES TOLERANCES ARE: .XX ± .01 .XXX ± .005 ANGULAR: ± .25°	DRAWN E. Innerhofer	11/2005	
MATERIAL 3xx SERIES SST	Modified E. Innerhofer	06/2006	TITLE: RPI, Suspension-Cage Top-Plate
FINISH 32/ DO NOT SCALE DRAWING	COMMENTS:		SIZE DWG. NO. REV C LIGO-D060094-00-R 00
			SCALE: 3:2 WEIGHT: SHEET 1 OF 3

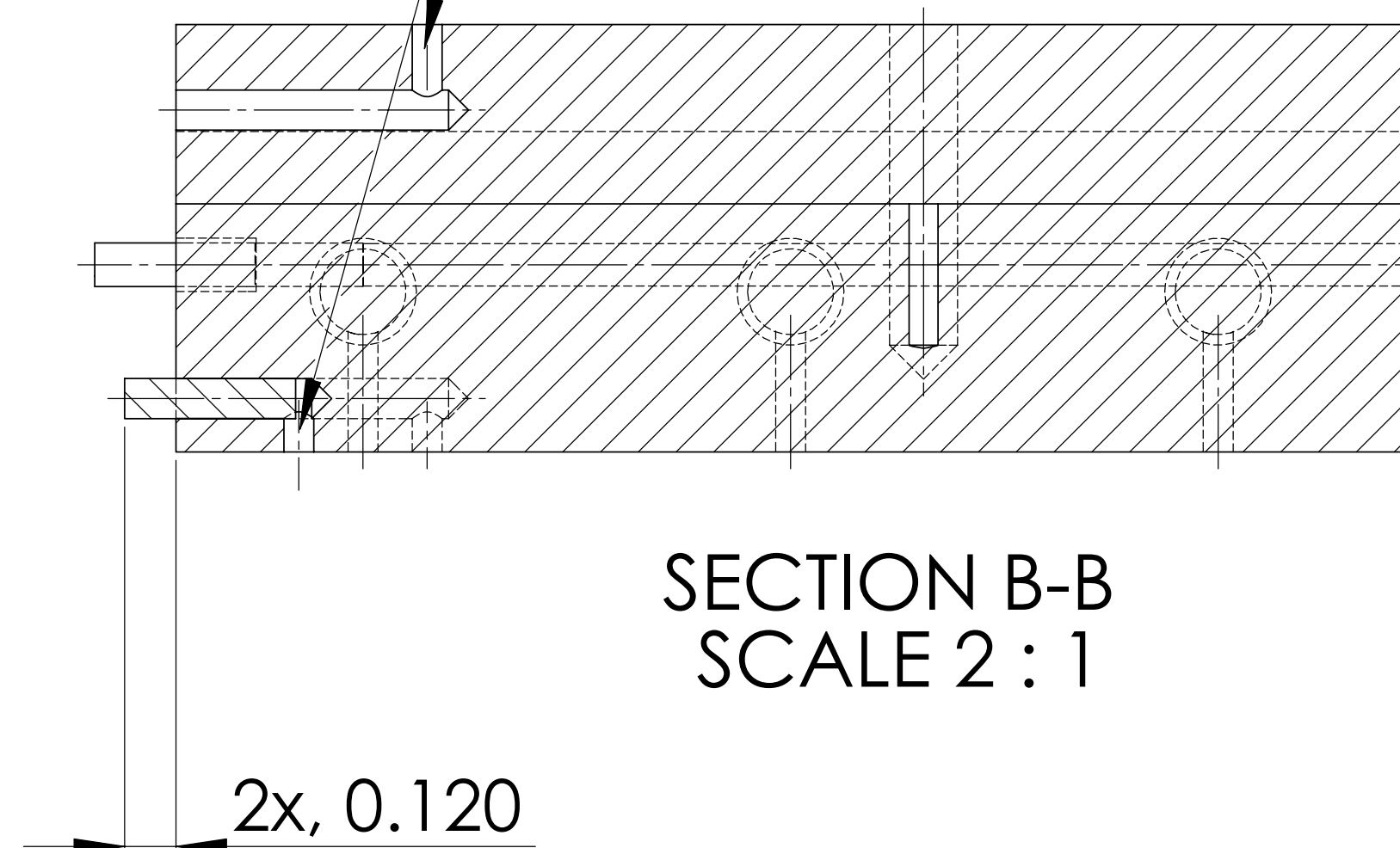
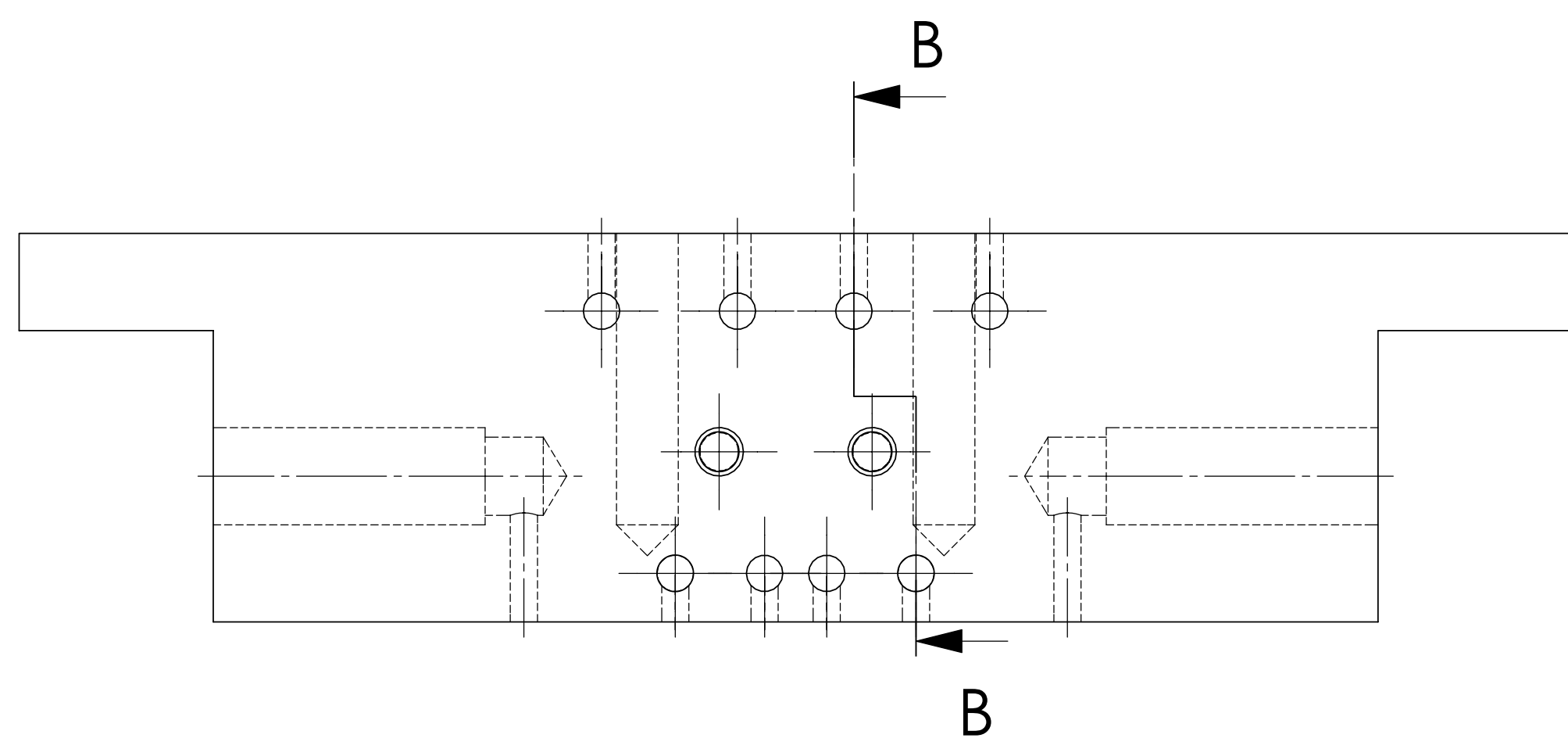
- NOTES: (UNLESS OTHERWISE SPECIFIED)
1. BREAK ALL SHARP EDGES .01/.02 X 45°
 2. FILETS: R .015 MAX
 3. ALL DIMENSIONS IN INCHES



VENT HOLE
 \varnothing .03/ .07 THRU
 WALL TO TAP DRILL

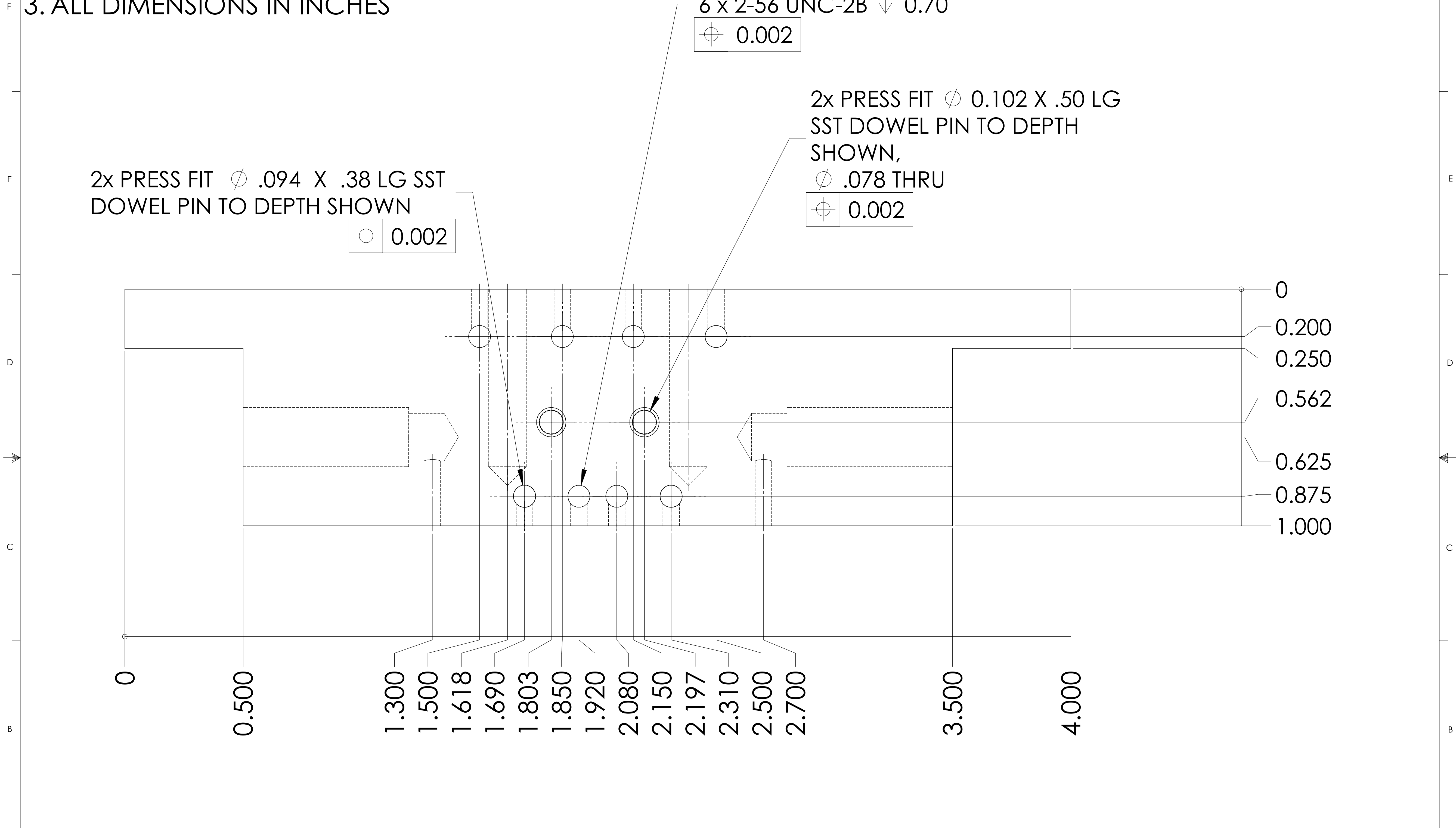


6X, VENT HOLES
 \varnothing .03/ .07
 THRU WALL



UNLESS OTHERWISE SPECIFIED: DIMENSIONS ARE IN INCHES TOLERANCES ARE: .XX ± .01 .XXX ± .005 ANGULAR: ± .25°	DRAWN	E. Innerhofer	11/2005	Massachusetts Institute of Technology LIGO project
	Modified	E. Innerhofer	06/2006	
MATERIAL 3xx SERIES SST	COMMENTS:			SIZE DWG. NO. REV C LIGO-D060094-00-R 00
FINISH 32/				SCALE: 3:2 WEIGHT: SHEET 2 OF 3
DO NOT SCALE DRAWING				

NOTES: (UNLESS OTHERWISE SPECIFIED)
 1. BREAK ALL SHARP EDGES .01/.02 X 45°
 2. FILETS: R .015 MAX
 3. ALL DIMENSIONS IN INCHES



UNLESS OTHERWISE SPECIFIED:		NAME	DATE	Massachusetts Institute of Technology LIGO project
DIMENSIONS ARE IN INCHES TOLERANCES ARE: .XX ± .01 .XXX ± .005 ANGULAR: ± .25°		DRAWN E. Innerhofer	11/2005	
MATERIAL 3xx SERIES SST		Modified E. Innerhofer	06/2006	TITLE: RPI, Suspension-Cage Top-Plate
FINISH ∇ 32/		COMMENTS:		
DO NOT SCALE DRAWING		SCALE: 3:2	WEIGHT:	REV 00
		SHEET 3 OF 3		