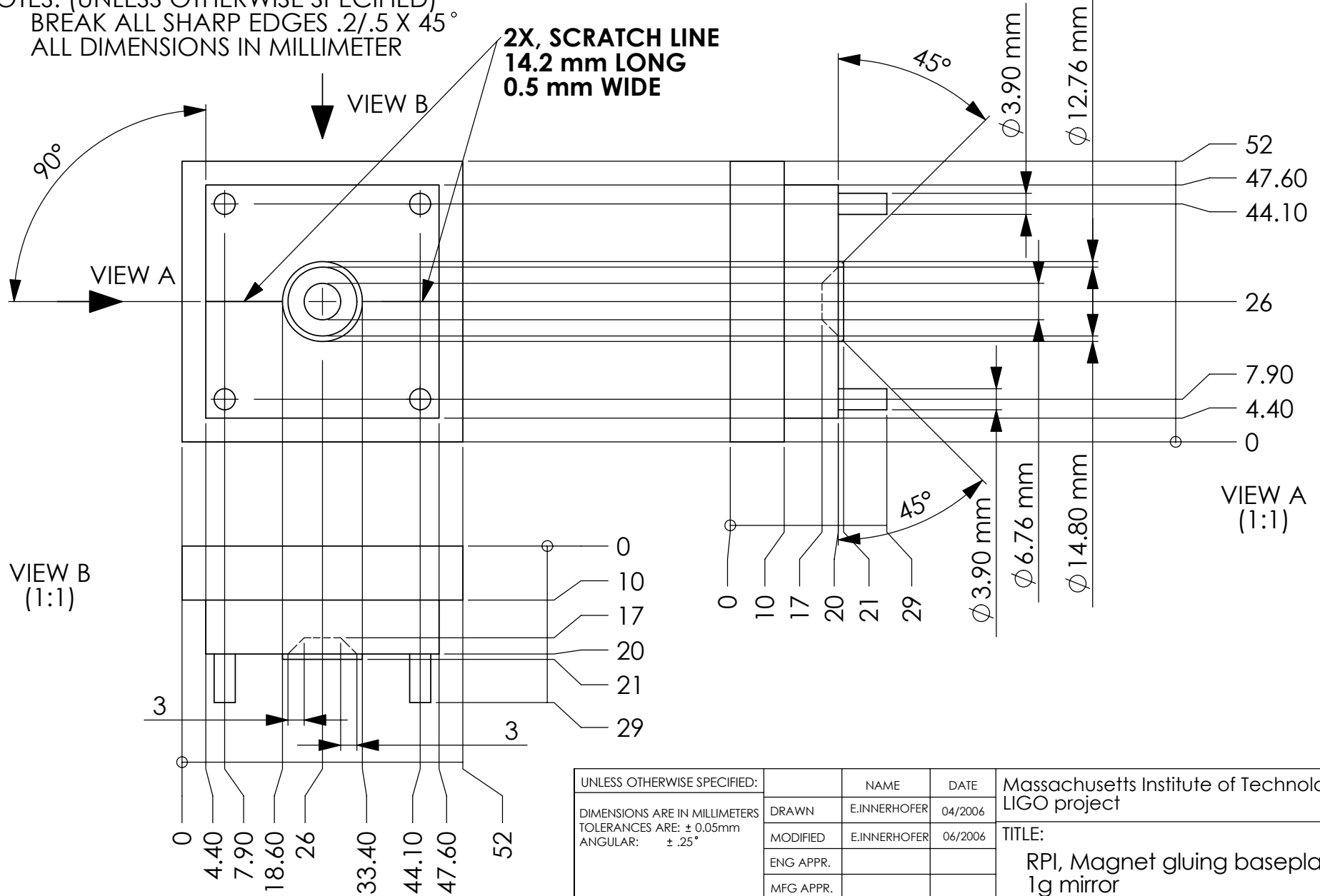


NOTES: (UNLESS OTHERWISE SPECIFIED)

- BREAK ALL SHARP EDGES .2/.5 X 45°
- ALL DIMENSIONS IN MILLIMETER

**2X, SCRATCH LINE
14.2 mm LONG
0.5 mm WIDE**



VIEW B
(1:1)

VIEW A
(1:1)

UNLESS OTHERWISE SPECIFIED:	NAME	DATE	Massachusetts Institute of Technology LIGO project			
DIMENSIONS ARE IN MILLIMETERS TOLERANCES ARE: ± 0.05mm ANGULAR: ± .25°	DRAWN	E.INNERHOFER	04/2006	TITLE: RPI, Magnet gluing baseplate, 1g mirror		
	MODIFIED	E.INNERHOFER	06/2006			
	ENG APPR.					
INTERPRET GEOMETRIC TOLERANCING PER:	MFG APPR.			SIZE	DWG. NO.	REV
MATERIAL Aluminum	Q.A.			A	LIGO-D060126-01-R	01
FINISH 64/√	COMMENTS:			SCALE: 1:1		SHEET 1 OF 1
DO NOT SCALE DRAWING						