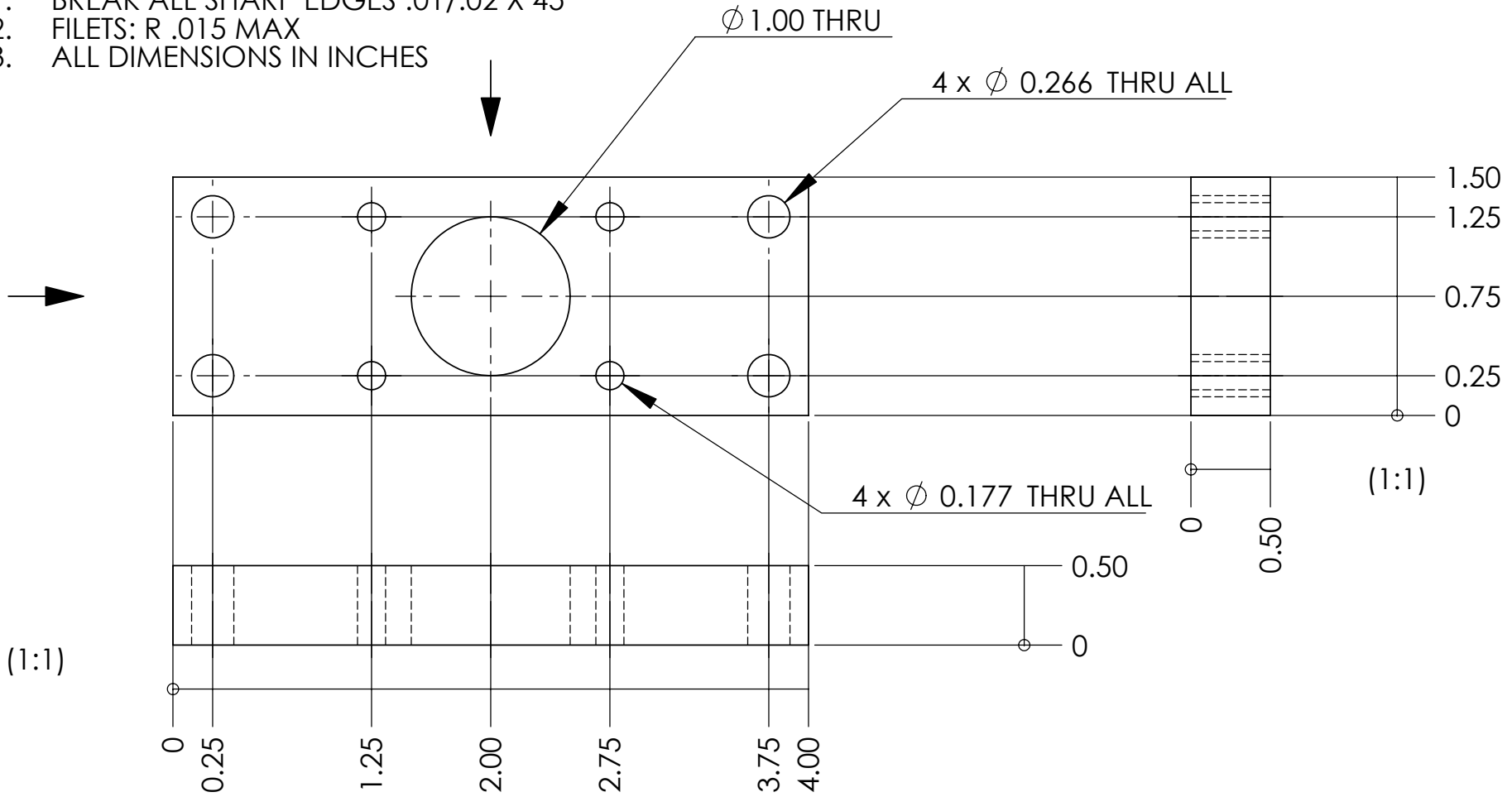


- NOTES: (UNLESS OTHERWISE SPECIFIED)
1. BREAK ALL SHARP EDGES .01/.02 X 45°
 2. FILETS: R .015 MAX
 3. ALL DIMENSIONS IN INCHES



UNLESS OTHERWISE SPECIFIED: DIMENSIONS ARE IN INCHES TOLERANCES: .XX : ± 0.01 .XXX : ± 0.005 ANGLES : ± 0.25°		NAME	DATE	Massachusetts Institute of Technology LIGO project		
	DRAWN	E.INNERHOFER	06/2006	TITLE: RPI, Assembling-Distance- Meas-Base		
	CHECKED					
	ENG APPR.					
INTERPRET GEOMETRIC TOLERANCING PER:						
MATERIAL Aluminum	COMMENTS:			SIZE	DWG. NO.	REV
FINISH $\sqrt{64}$				A	LIGO-D060183-00-R	00
DO NOT SCALE DRAWING				SCALE: 1:1		SHEET 1 OF 1