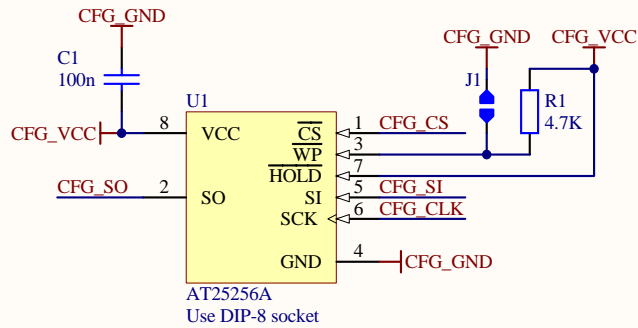
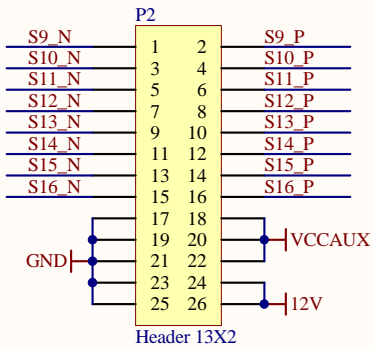
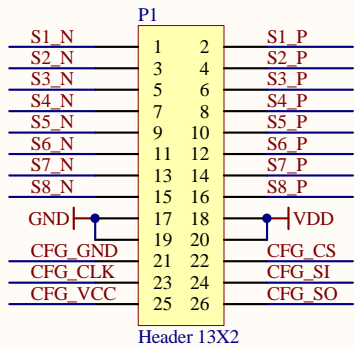


Board to board spacing is 12 mm with standard headers



Title		
Timing Interface Daughter Board Template		
Size	Number	Revision
A	D070072	A
Date:	3/17/2007	Sheet 1 of 1
File:	C:\Users\...\DaughterTemplate1.SchDoc	Drawn By: Daniel Sigg