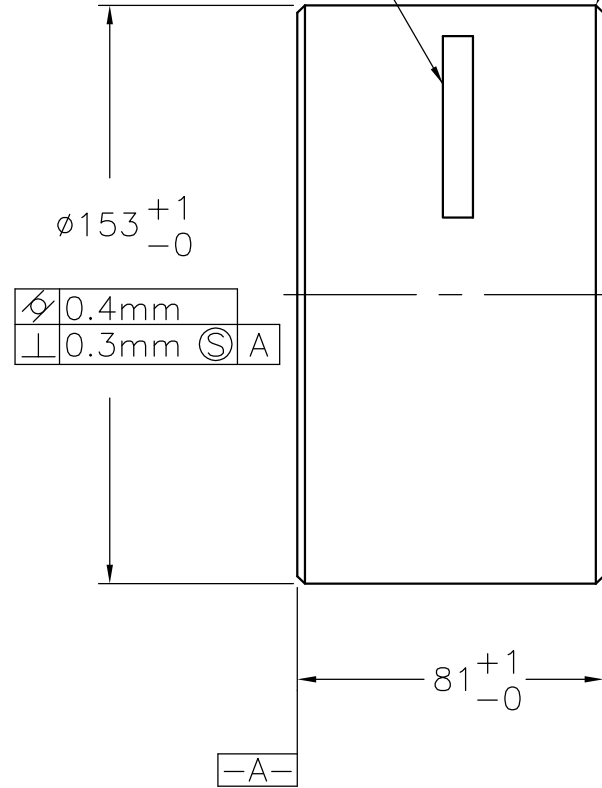
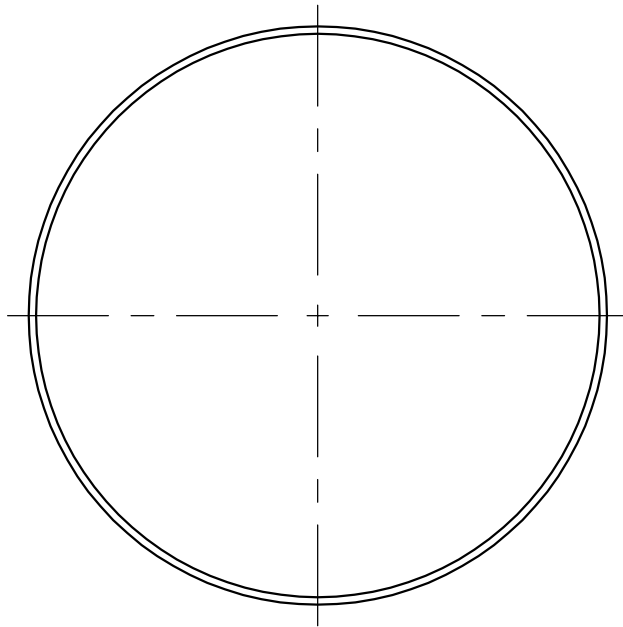


ETCH, GRIND, OR SANDBLAST SERIAL NUMBER

45° X 2±0.5
CHAMFER
2 PLACES



∅0.4mm
⊥0.3mm Ⓢ A

∅153⁺¹₋₀

81⁺¹₋₀

-A-

UF LIGO
WILLIAMS, LUKE

ALIGO INPUT
MODE CLEANER
MIRROR #3 BLANK

SCALE: HALF (mm)
D070085-01 QTY: 4

DATE: APRIL 1, 2008
MATERIAL: FUSED SILICA OAA