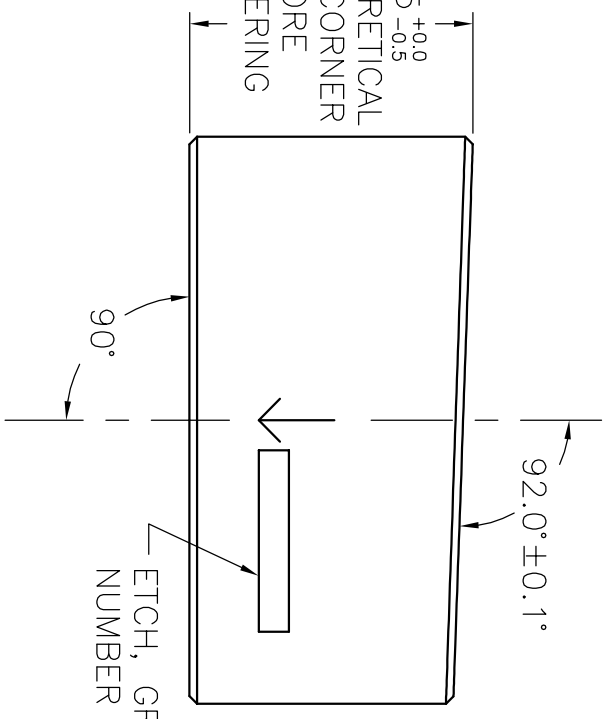
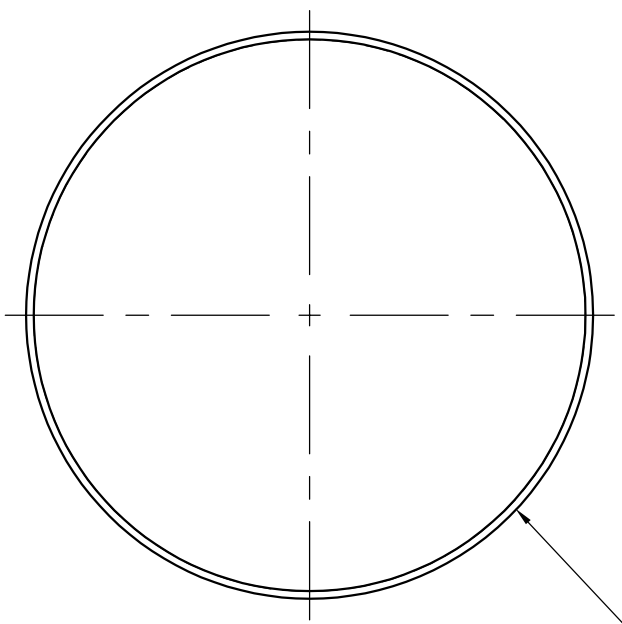


75^{+0.0}_{-0.5}
 AT THEORETICAL
 SHARP CORNER
 BEFORE
 CHAMFERING

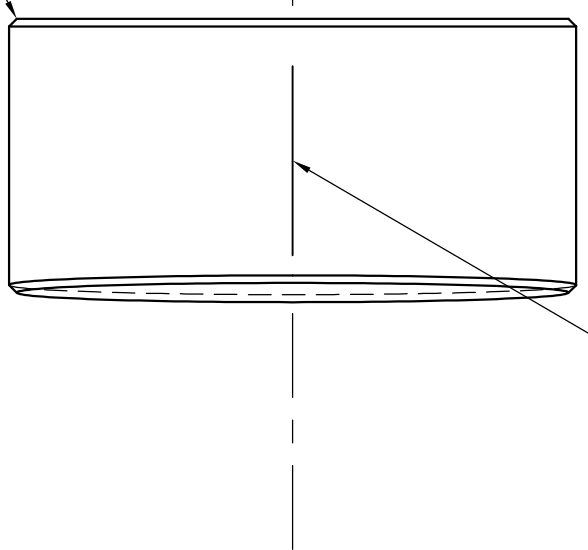


ETCH OR GRIND 0.25mm ± 0.05mm
 WIDE X 50mm ± 1mm LONG
 3 PLACES 90° ± 15° APART FROM
 LINE WITH ARROW (SEE TOP VIEW)
 PARALLEL TO CENTRAL AXIS WITHIN
 ± 0.10mm, CENTERED BETWEEN
 FRONT AND REAR SURFACES



ø150^{+1mm}_{-0mm}
 0.1mm

CHAMFER
 45° ± 1° X 2 ± 0.3
 2 PLACES



UF LIGO

WILLIAMS, LUKE

ALIGO MODE CLEANER
 MIRROR #3 SUBSTRATE

SCALE: HALF (mm)
 D070093-00 QTY: 6

DATE: MARCH 26, 2007
 MATERIAL: FUSED SILICA OC