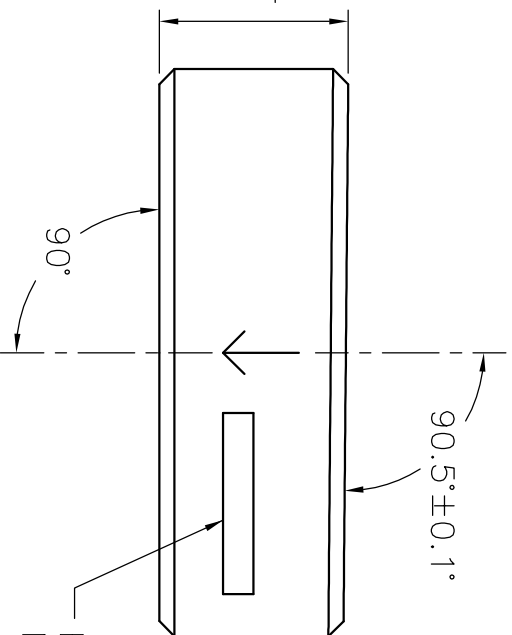
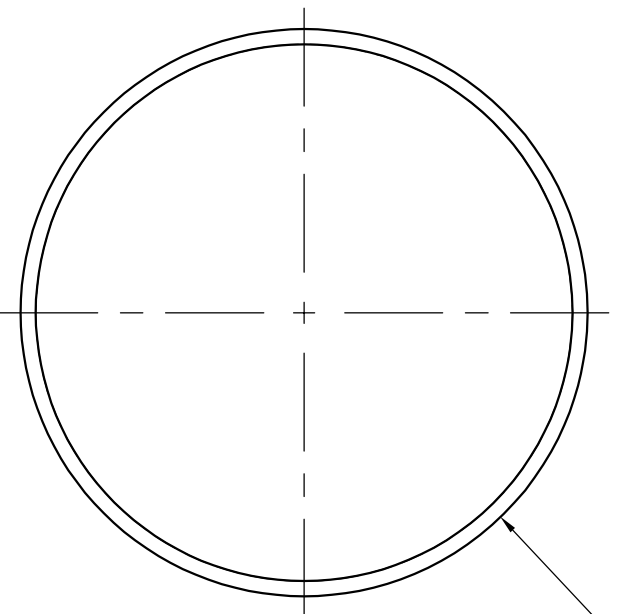


25.0^{+0.0}_{-0.5}
 AT THEORETICAL
 SHARP CORNER
 BEFORE
 CHAMFERING



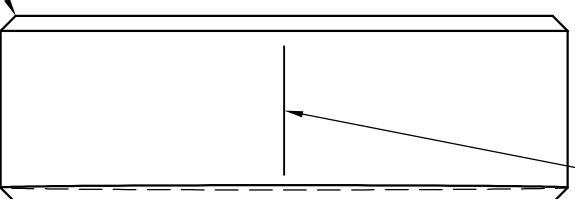
ETCH OR GRIND 0.25mm ± 0.05mm
 WIDE X 17mm ± 1mm LONG
 3 PLACES 90° ± 15' APART FROM
 LINE WITH ARROW (SEE TOP VIEW)
 PARALLEL TO CENTRAL AXIS WITHIN
 ± 0.10mm, CENTERED BETWEEN
 FRONT AND REAR SURFACES

ETCH, GRIND, OR SANDBLAST SERIAL
 NUMBER AND ORIENTATION ARROW



$\phi 75^{+1mm}$
 0.1mm

CHAMFER
 45° ± 1' X 2 ± 0.3
 2 PLACES



UF LIGO

WILLIAMS, LUKE

ALIGO TELESCOPE

MIRROR #1 SUBSTRATE

SCALE: FULL (mm)

D070094-00

QTY: 6

DATE: MARCH 26, 2007

MATERIAL: FUSED SILICA OC