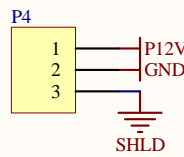
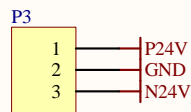
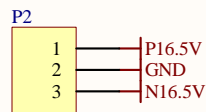
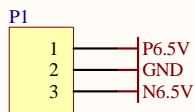
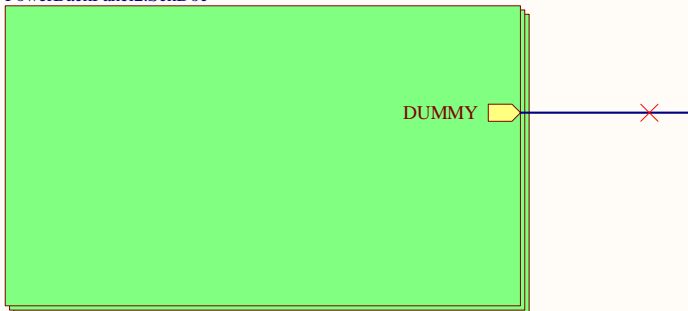
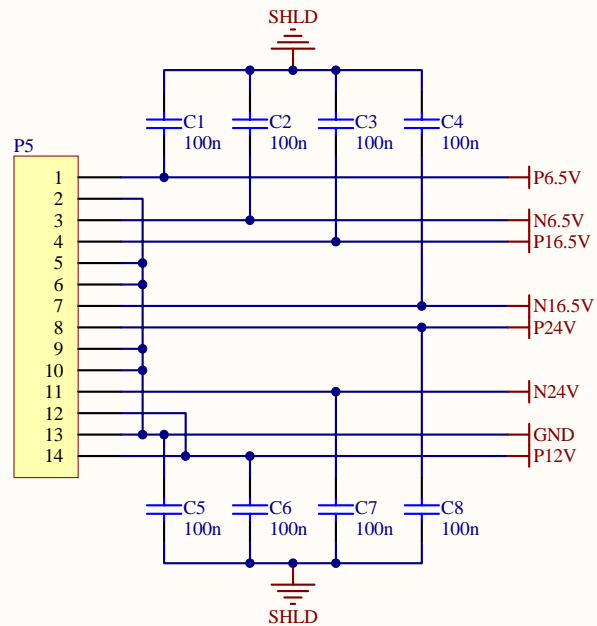


REPEAT(CON,1,5)
PowerBackPanel2.SchDoc



Title			Power Chassis: Back Panel		
Size	Number	Revision			
A	D070106	A			
Date:	5/2/2007	Sheet * of *			
File:	C:\User\...\PowerBackPanel1.SchDoc	Drawn By:		Daniel Sigg	

DUMMY



Title			Power Chassis: Back Panel		
Size	Number	Revision			
A	D070106	A			
Date:	5/2/2007	Sheet * of *			
File:	C:\User\...\PowerBackPanel2.SchDoc	Drawn By: Daniel Sigg			