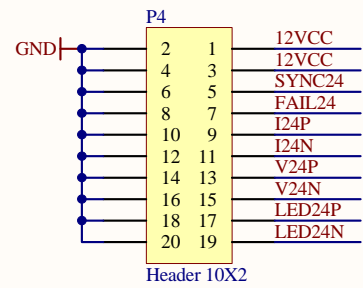
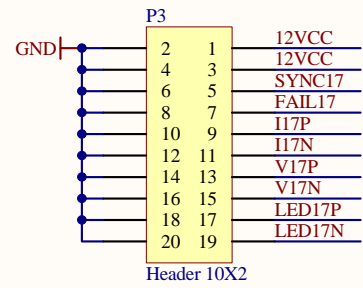
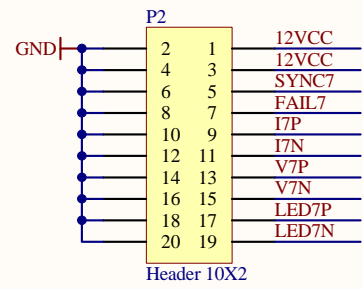
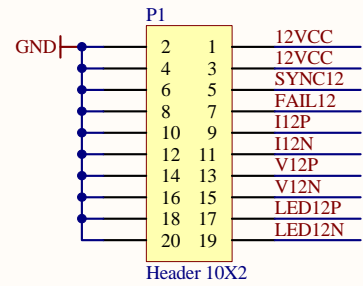
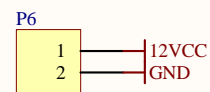
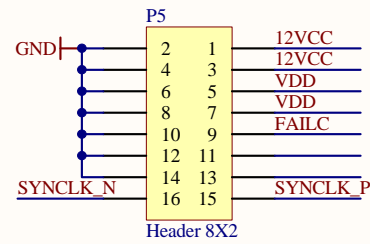


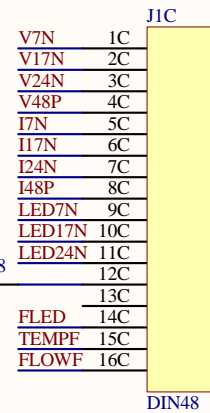
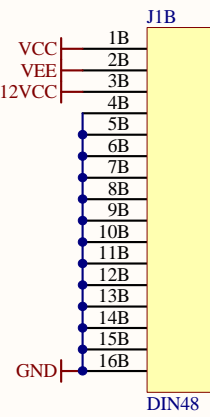
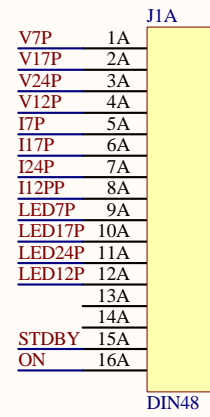
Power Modules



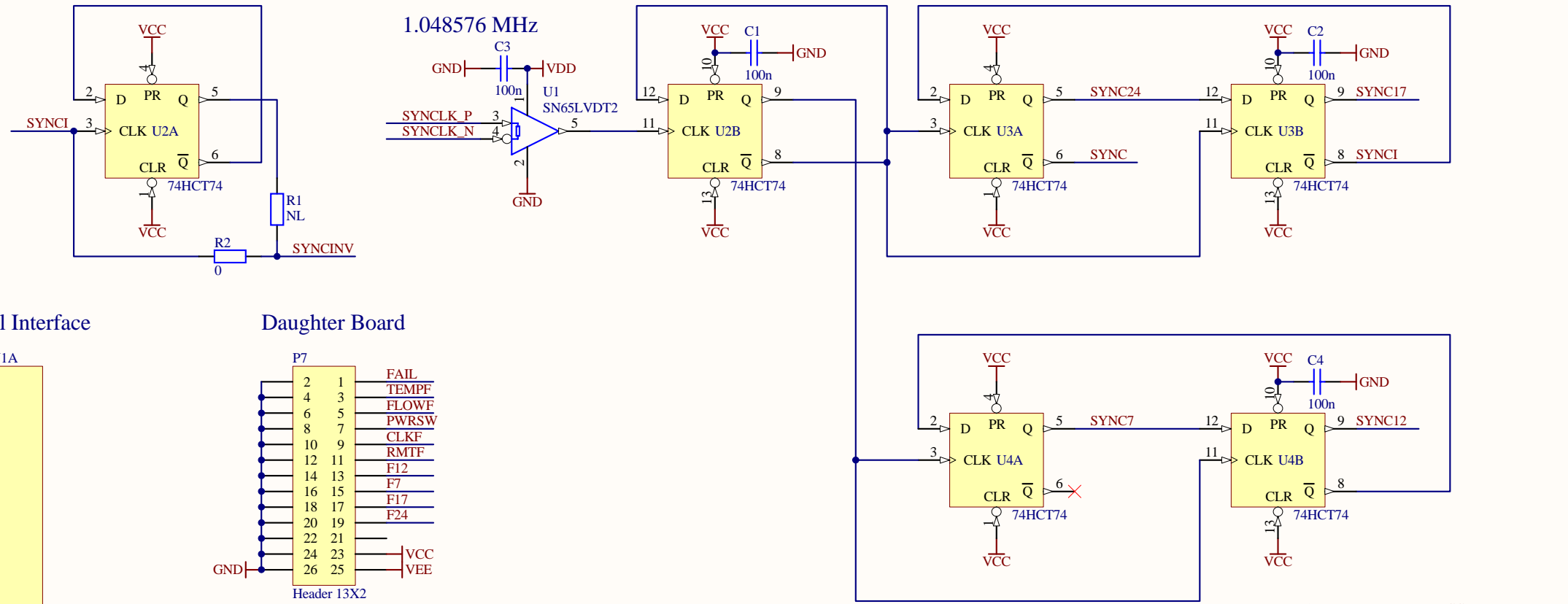
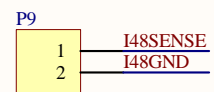
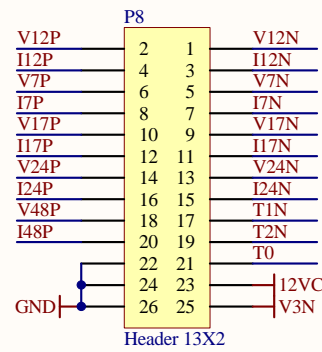
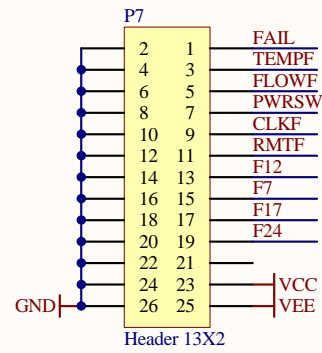
Timing Module



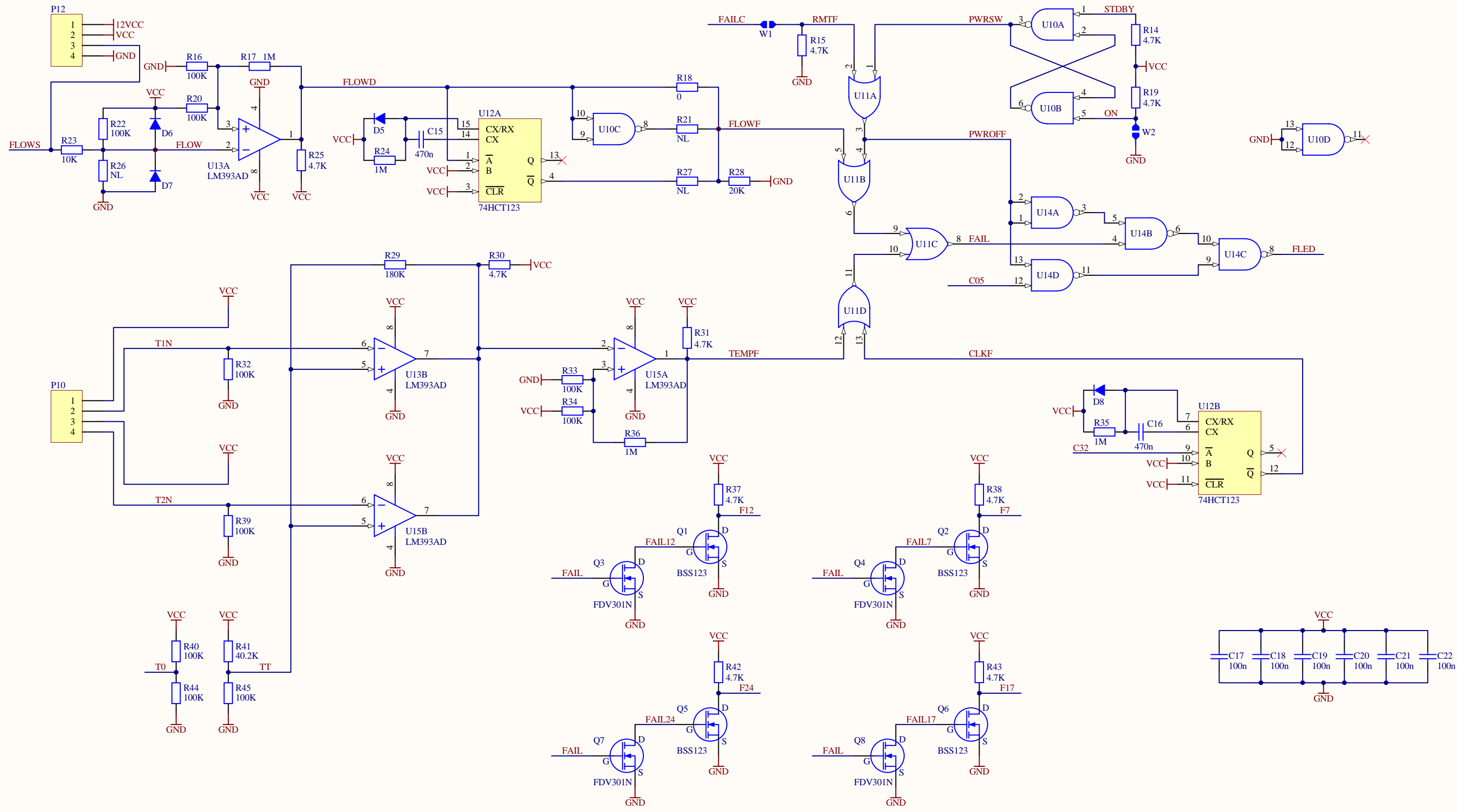
Front Panel Interface



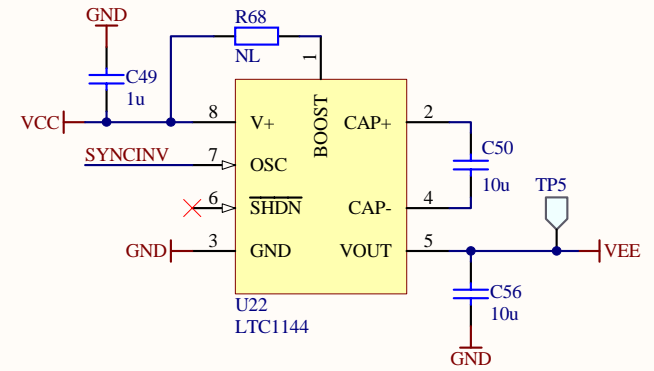
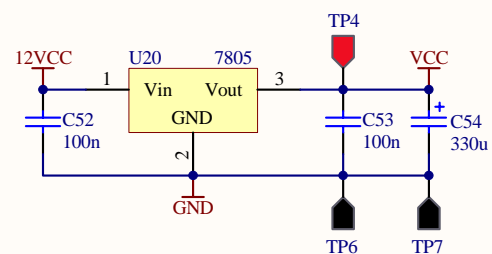
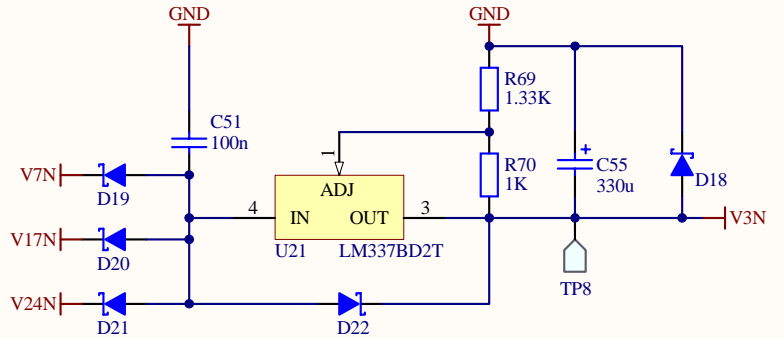
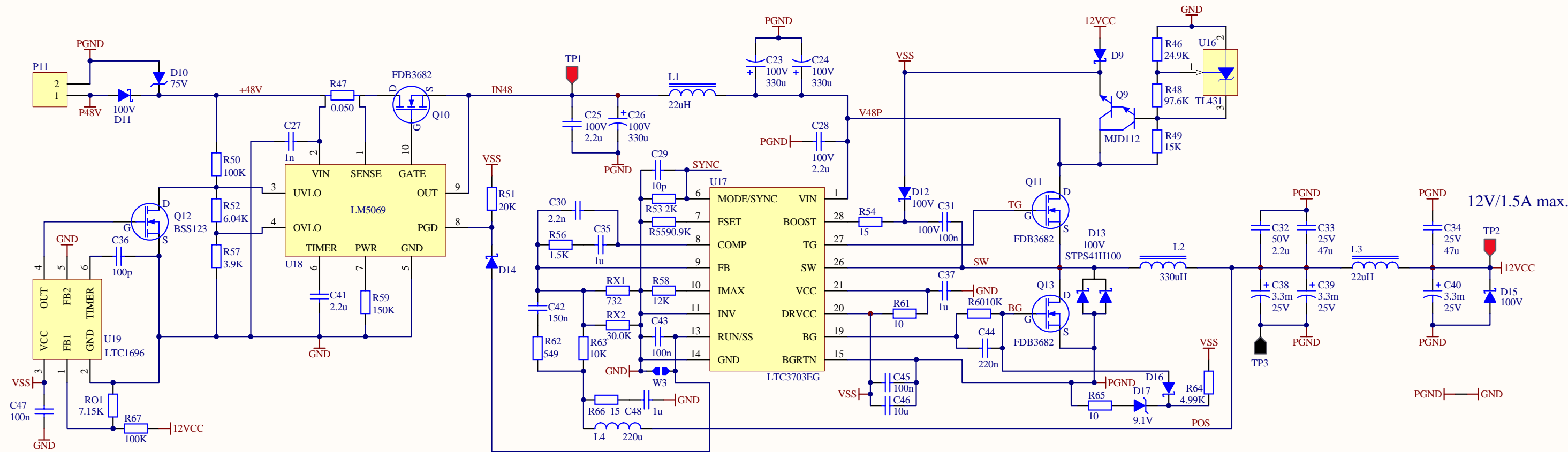
Daughter Board



Title Power Chassis Interface		
Size B	Number D070109	Revision A
Date: 5/9/2007	Sheet 1 of 3	
File: C:\User\...\ChassisInterface1.SchDoc	Drawn By: Daniel Sigg	



Title Power Chassis Interface		
Size B	Number D070109	Revision A
Date: 5/9/2007	Sheet 2 of 3	
File: C:\User\...\ChassisInterface2.SchDoc	Drawn By: Daniel Sigg	



Title Power Chassis Interface		
Size B	Number D070109	Revision A
Date: 5/9/2007	Sheet 3 of 3	
File: C:\User\...\ChassisInterface3.SchDoc	Drawn By: Daniel Sigg	