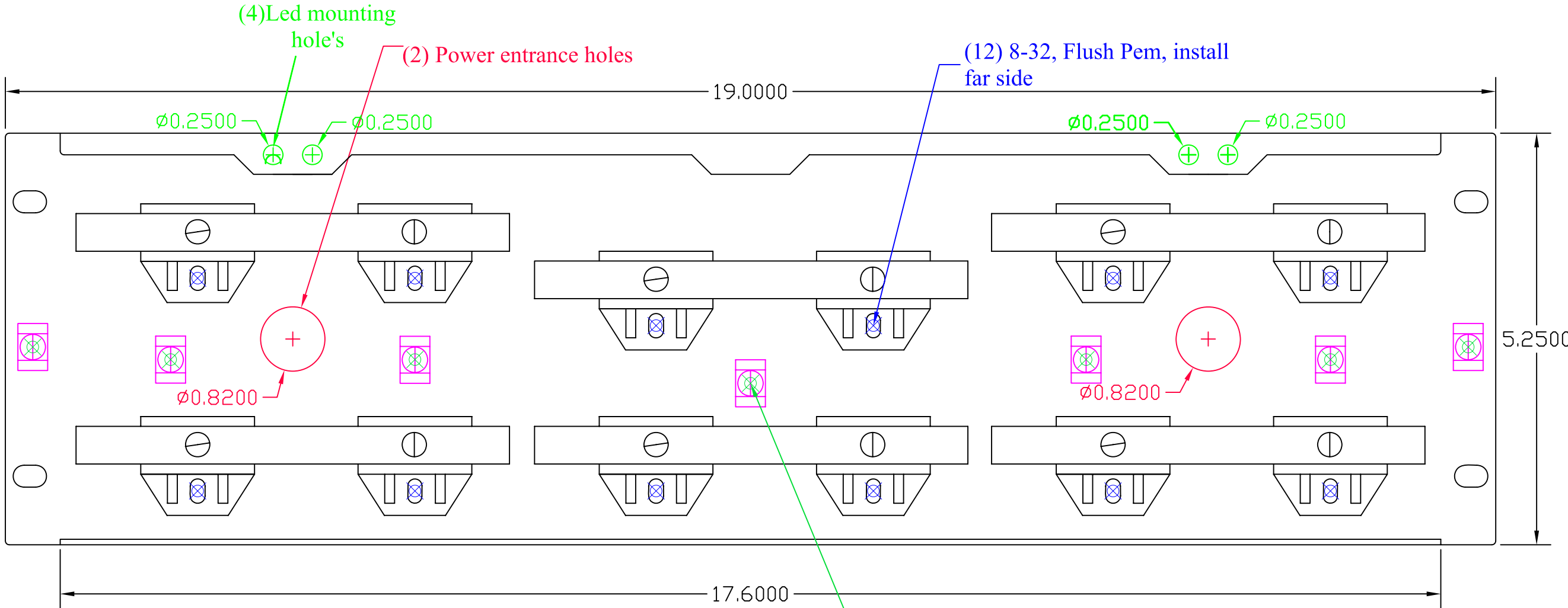


REVISIONS				
ZONE	REV	DESCRIPTION	DATE	APPROVED

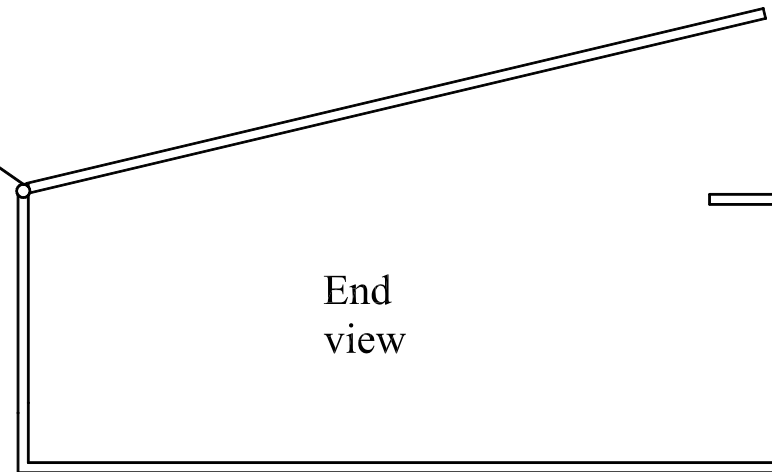


		Inside View		
		SIZE	FSCM NO.	DWG NO. D070124-A
		SCALE	SHEET	



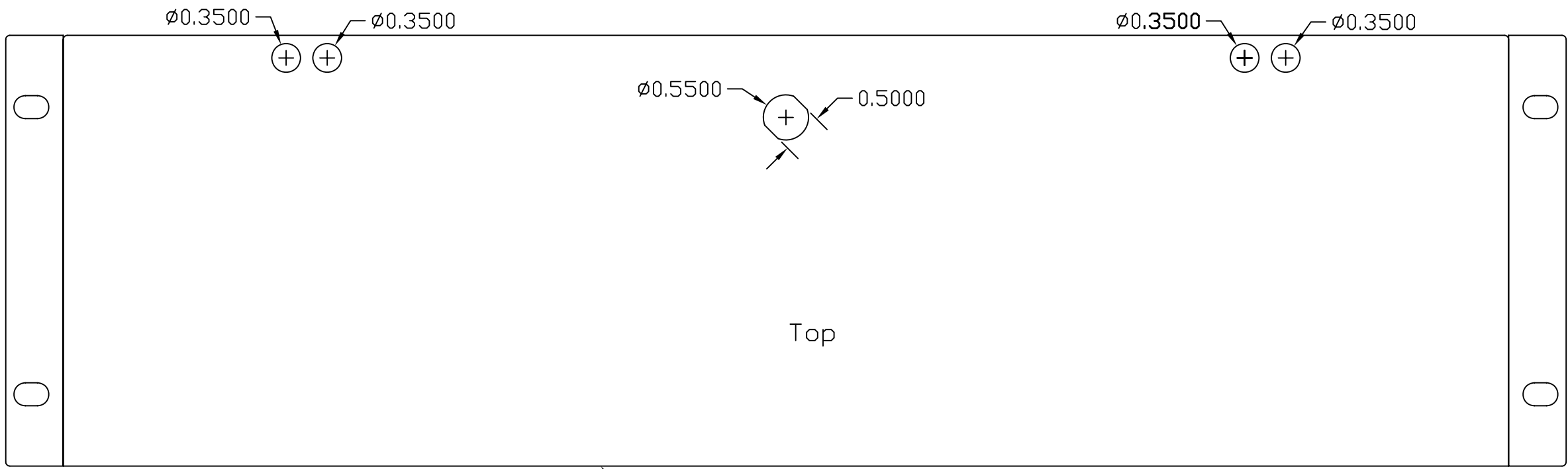
REVISIONS				
ZONE	REV	DESCRIPTION	DATE	APPROVED

spot weld hinge on this edge,(McMaster 15665A105 or similar)



	End View			
	SIZE	FSCM NO.	DWG NO. D070124-A	REV
	SCALE		SHEET	

REVISIONS				
ZONE	REV	DESCRIPTION	DATE	APPROVED

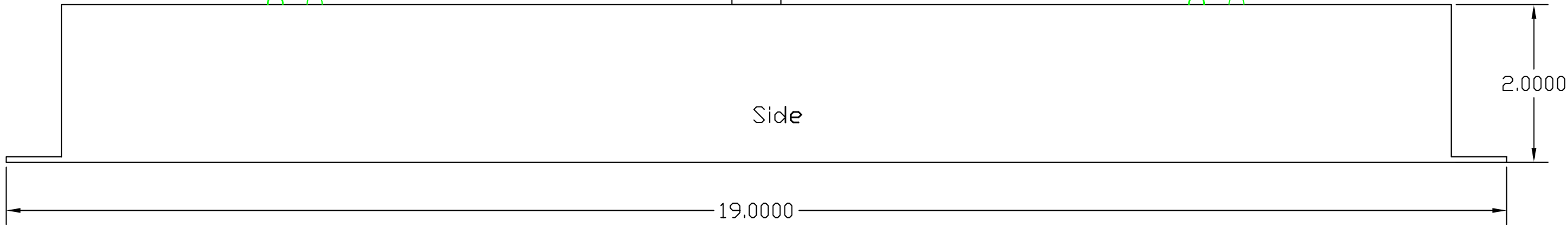


spot weld hinge on this edge,(McMaster 15665A105 or similar)

		Top View		
SIZE	FSCM NO.	DWG NO. D070124-A	REV	
SCALE		SHEET		



REVISIONS				
ZONE	REV	DESCRIPTION	DATE	APPROVED



Side

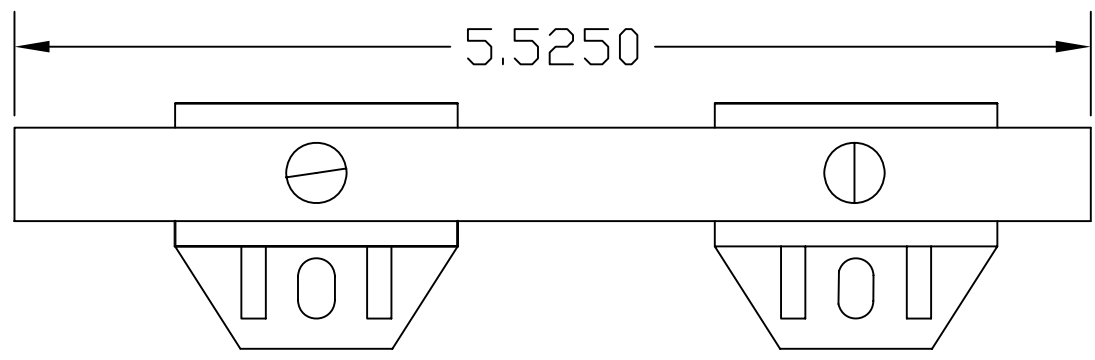
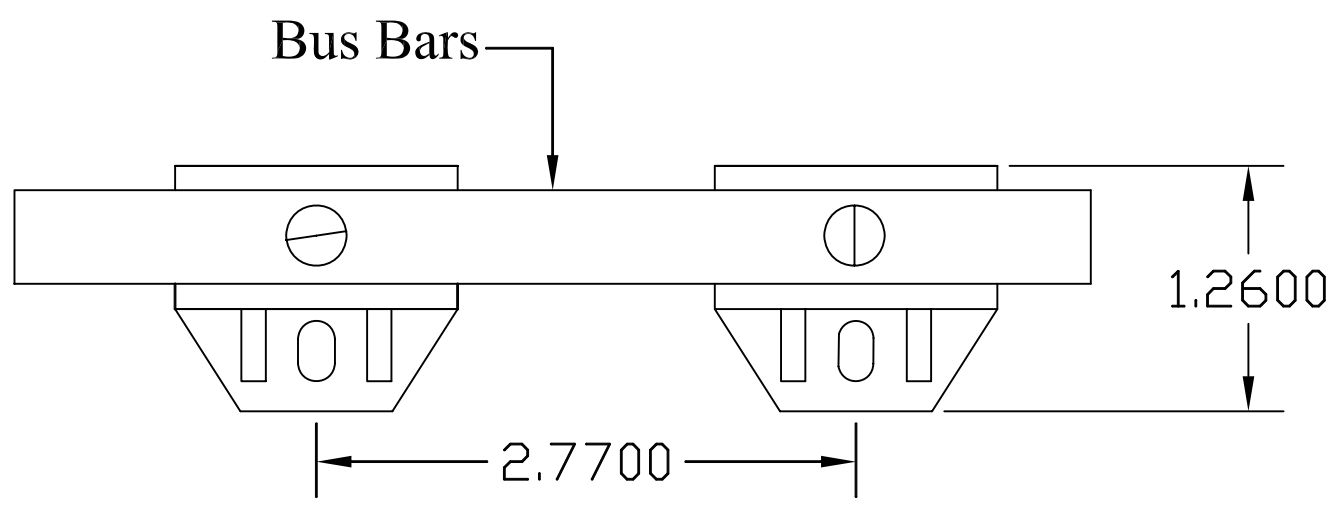
2.0000

19.0000



		Side View		
	SIZE	FSCM NO.	DWG NO. D070124-A	REV
	SCALE		SHEET	

REVISIONS				
ZONE	REV	DESCRIPTION	DATE	APPROVED



		Bus Bars		
	SIZE	FSCM NO.	DWG NO. D070124-A	REV
	SCALE		SHEET	