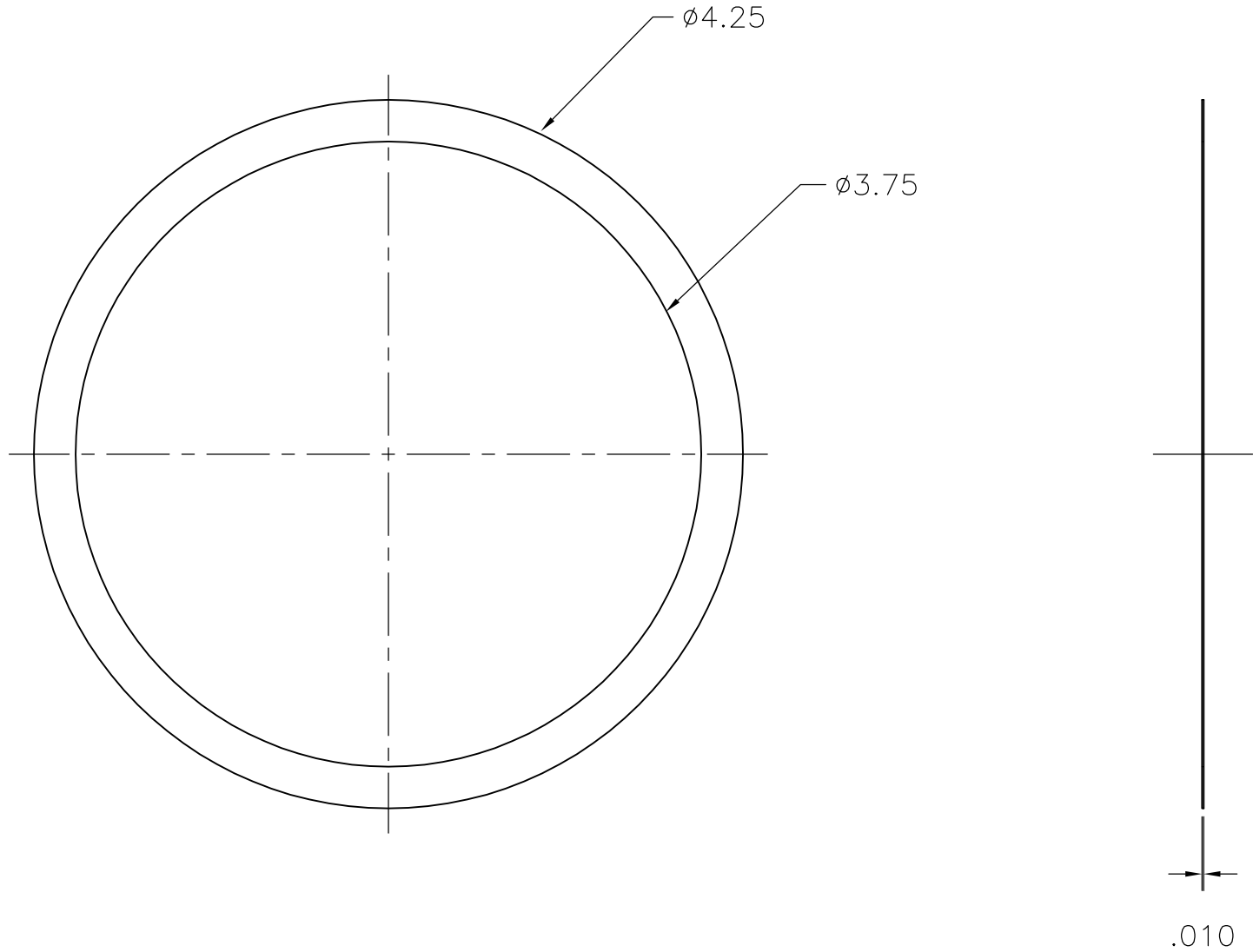


NOTE: SKIP HAS A CNC PROGRAM THAT HE MADE FOR THESE LAST FALL



UF PHYS	FR MAGNET	SCALE: FULL (INCHES)		DATE: OCTOBER 24, 2007
WILLIAMS, LUKE	VACUUM SHIM	D070462-00	QTY: 10	MATERIAL: 6061-T6