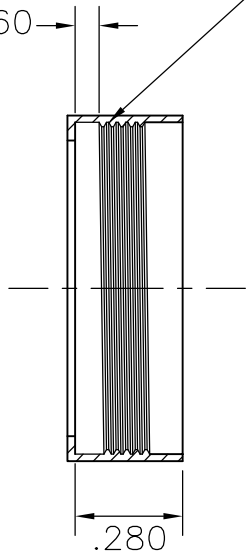


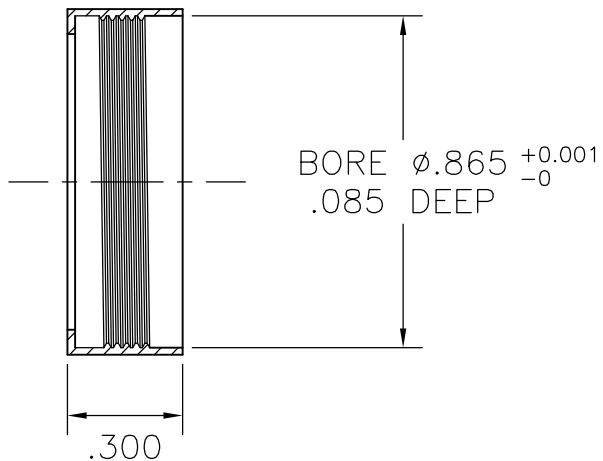
NOTE: THIS PART MATES TO D070474

RELIEVE BEHIND  
 THREAD .060  
 $\phi$ .865

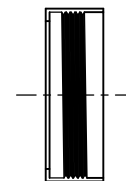
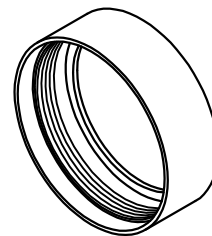
INTERNAL THREAD 40 TPI  
 MAJOR DIAMETER .865  
 MINOR DIAMETER .841



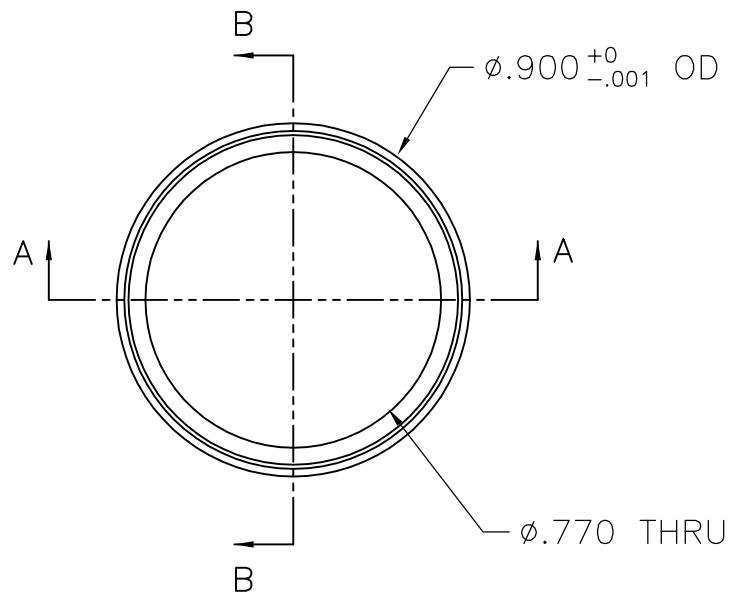
SECTION A-A



SECTION B-B



ACTUAL SIZE



UF PHYS

ELIGO IO FI FR

SCALE: DOUBLE (INCHES)

DATE: OCTOBER 24, 2007

WILLIAMS, LUKE

QUARTZ CAP

D070475-00

QTY: 2

MATERIAL: 6061-T6