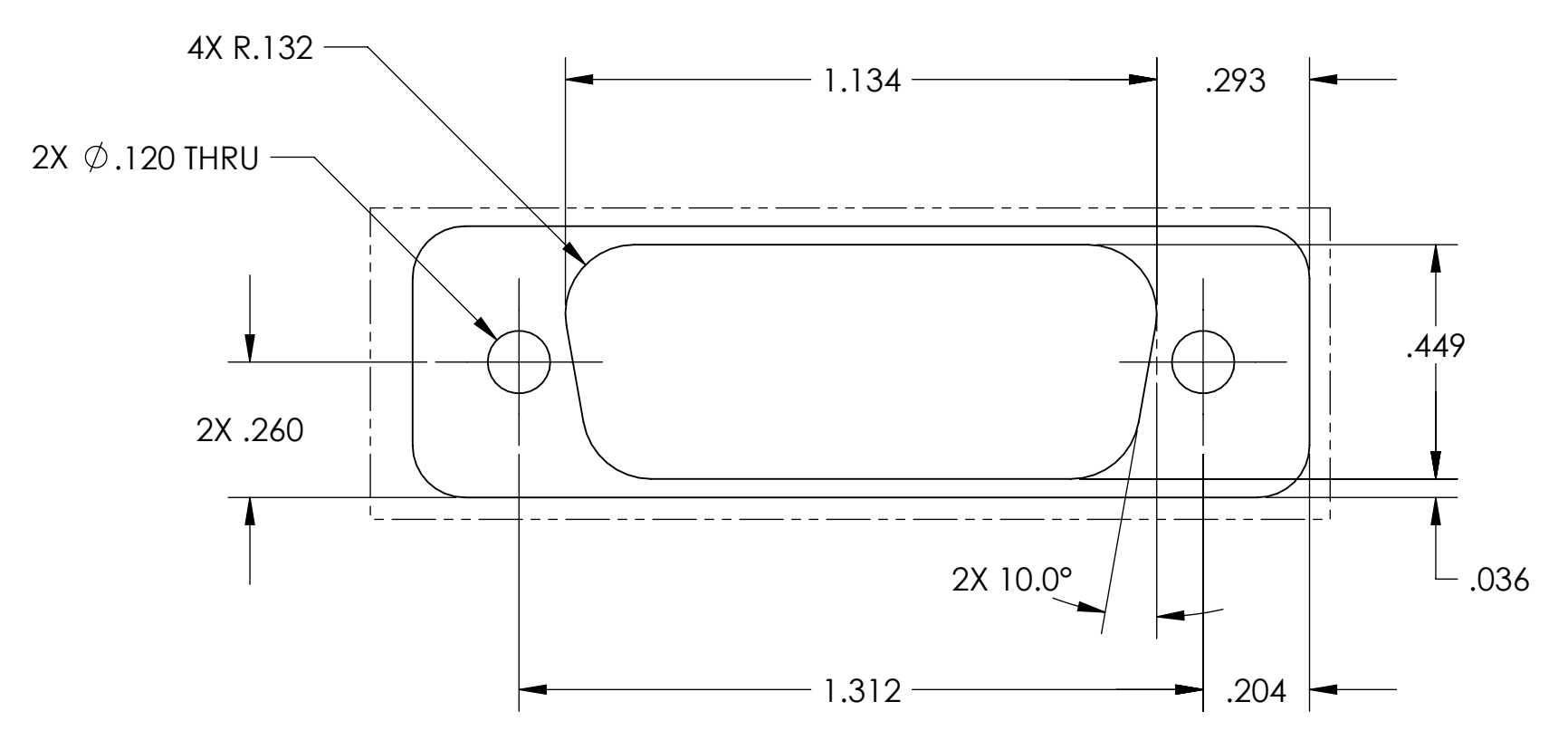
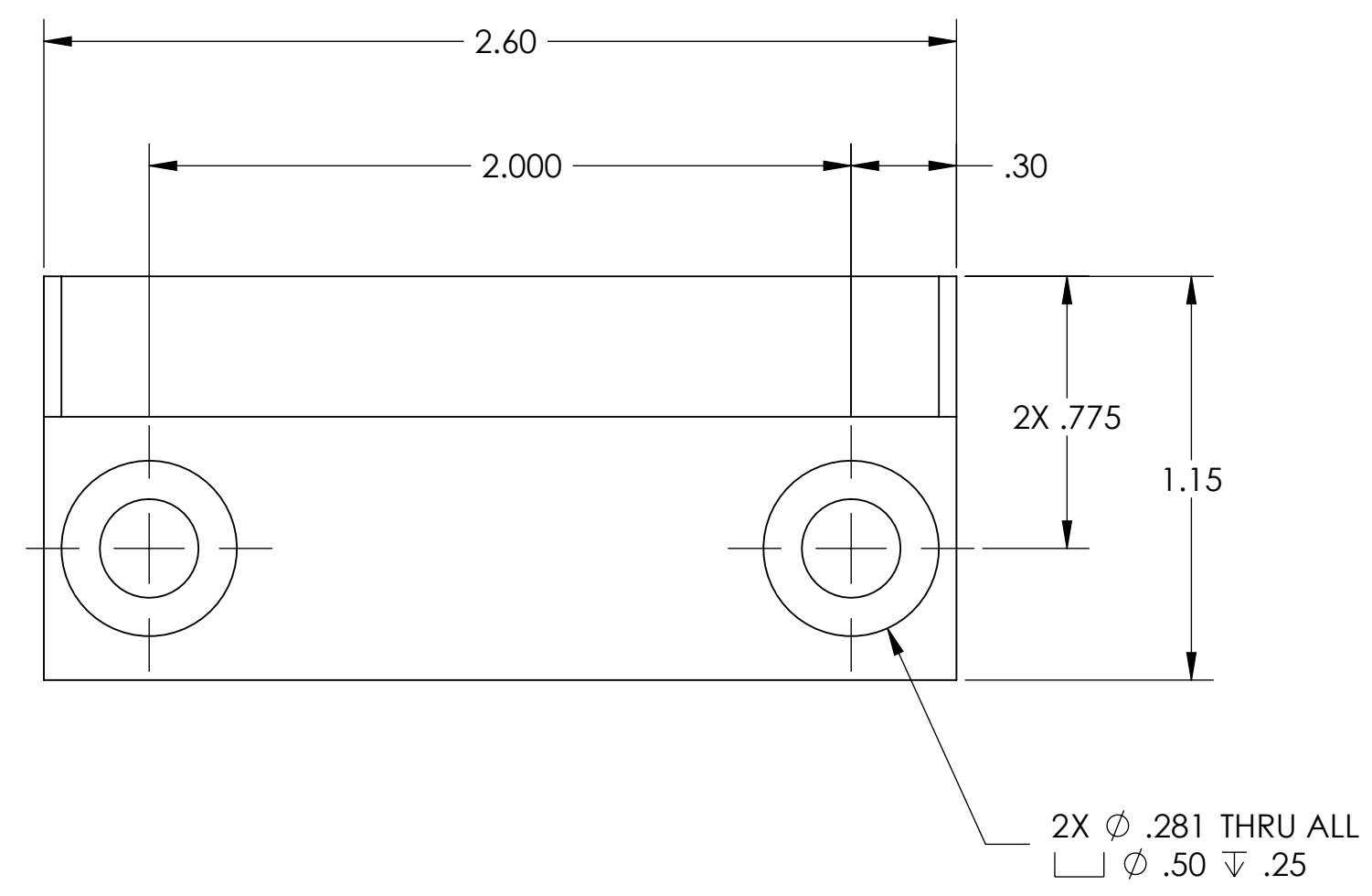
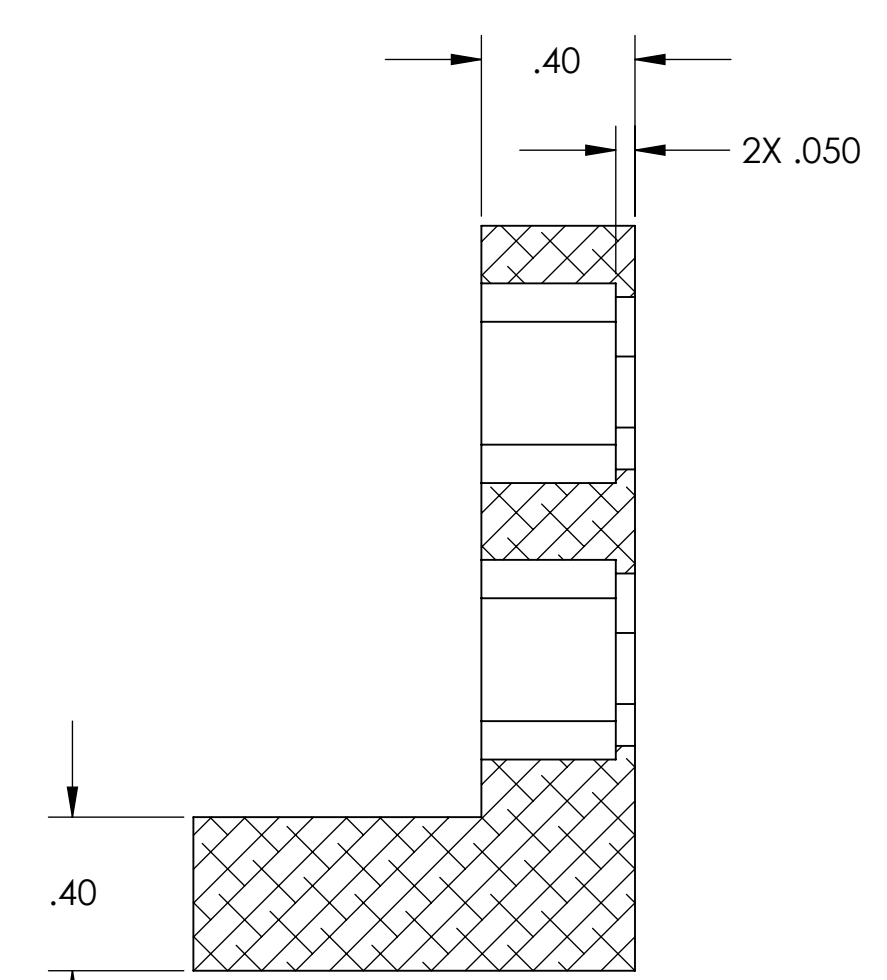
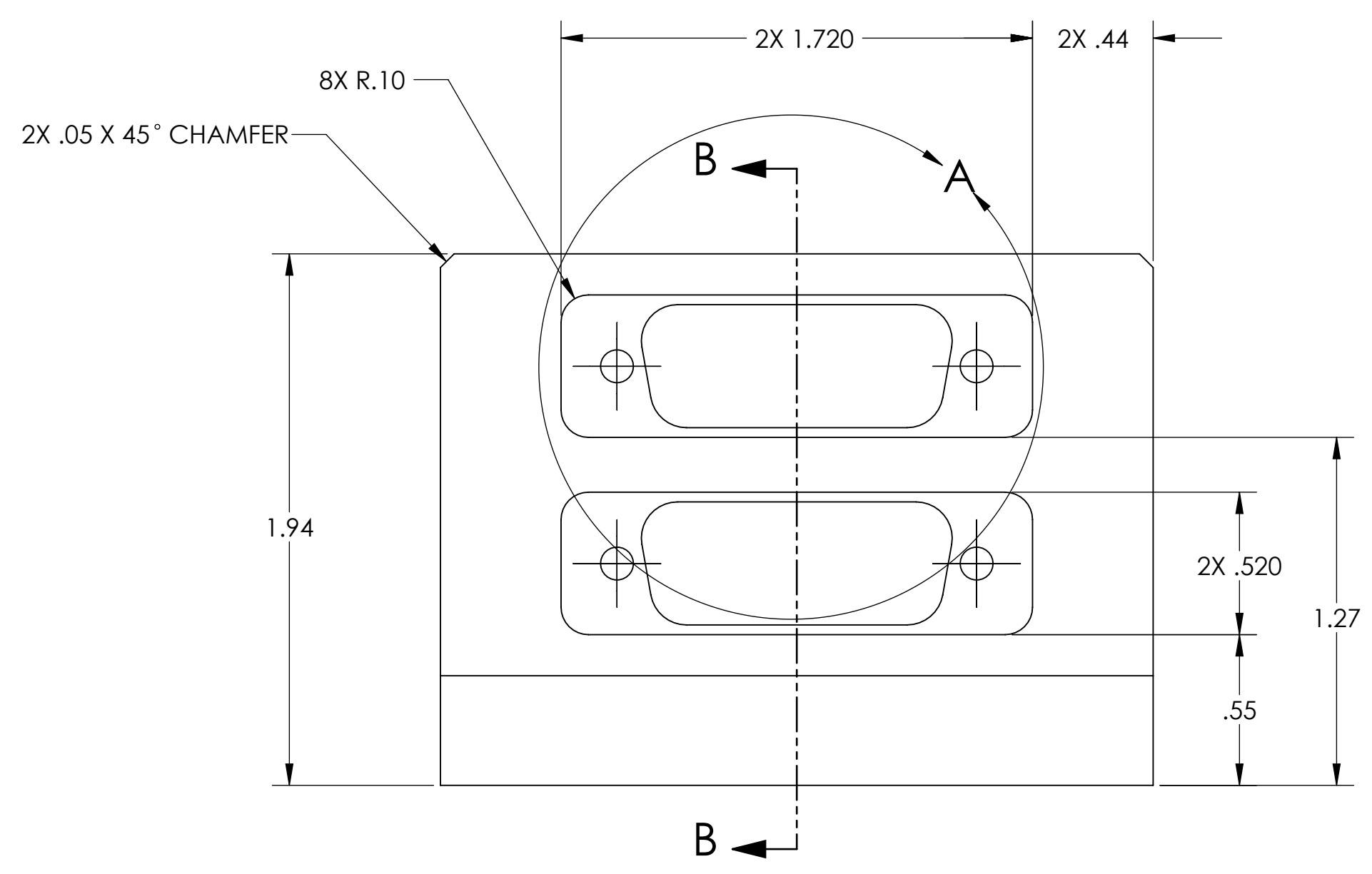


REV	DATE	APPROVAL	DESCRIPTION
A	11/9/2007	A. STEIN	INITIAL RELEASE



DETAIL A
SCALE 3 : 1
(15-PIN SUB-D CONNECTOR CUTOUT)
2 PLACES



SECTION B-B

NOTES: (UNLESS OTHERWISE SPECIFIED)

- DO NOT SCALE FROM DRAWING.
- REMOVE ALL SHARP EDGES. LEAVE .005 X 45° MIN CHAMFER, OR .005 MIN RADIUS.
- MACHINE ALL SURFACES. NO SANDING OR TUMBLING ALLOWED.
- ALL MACHINING FLUIDS MUST BE WATER SOLUBLE AND FREE OF SULFUR, CHLORINE AND SILICONE. E.G., MILACRON CIMTECH 410.
- CLEAN THOROUGHLY TO REMOVE ALL OIL, DIRT, AND CHIPS.

DIMENSIONS ARE IN INCHES

TOLERANCES:
XX ± 0.015
XXX ± 0.005

ANGULAR ± 0.5°

SURFACE ROUGHNESS:

MATERIAL
Al 6061-T6

FINISH
NONE

DRAWN
A. STEIN

CHECKED
A. STEIN

APPROVED
A. STEIN

CALIFORNIA INSTITUTE OF TECHNOLOGY
MASSACHUSETTS INSTITUTE OF TECHNOLOGY
IGR, GLASGOW UNIVERSITY GEO 600 GROUP

SYSTEM
ADVANCED LIGO

SUB-SYSTEM
SEI

NEXT ASSY
HAM ISI

PART NAME
BRACKET, 3-PIN POWER PEEK

SCALE
2:1

PROJECTION

SIZE DWG. NO.
D070503

REV.
A

SHEET 1 OF 1