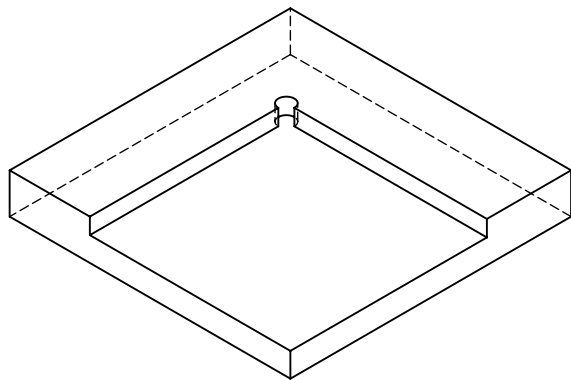


SECTION B-B
SCALE 2 : 1



NOTES (UNLESS OTHERWISE SPECIFIED):		
DIMENSIONS ARE IN MILLIMETERS		
GENERAL TOLERANCES: 0<X<50mm: ±0.1mm 50<X<150mm: ±0.2mm 100<X<1000mm: ±0.3mm ANGULAR: ±0.2°		
GEOMETRIC TOLERANCES: ISO-2768-K		
1. DEBUR AND BREAK SHARP EDGES		
QUANTITY:	12	
MATERIAL:	Aluminum	
SURFACE TEXTURE (µm):	UNLESS STATED	
FINISH:		
DRAWN	NAME	DATE
CHK'D	L Cunningham	5/11/07
APPV'D		
Q.A		

DO NOT SCALE DRAWING A4



SYSTEM:	Advanced LIGO	
SUB-SYSTEM:	SUS	
ASSEMBLY:		
PART NAME:	break-off_holder	
DWG NO.	D080076	REV: 0
SCALE:1:1		SHEET 1 OF 1