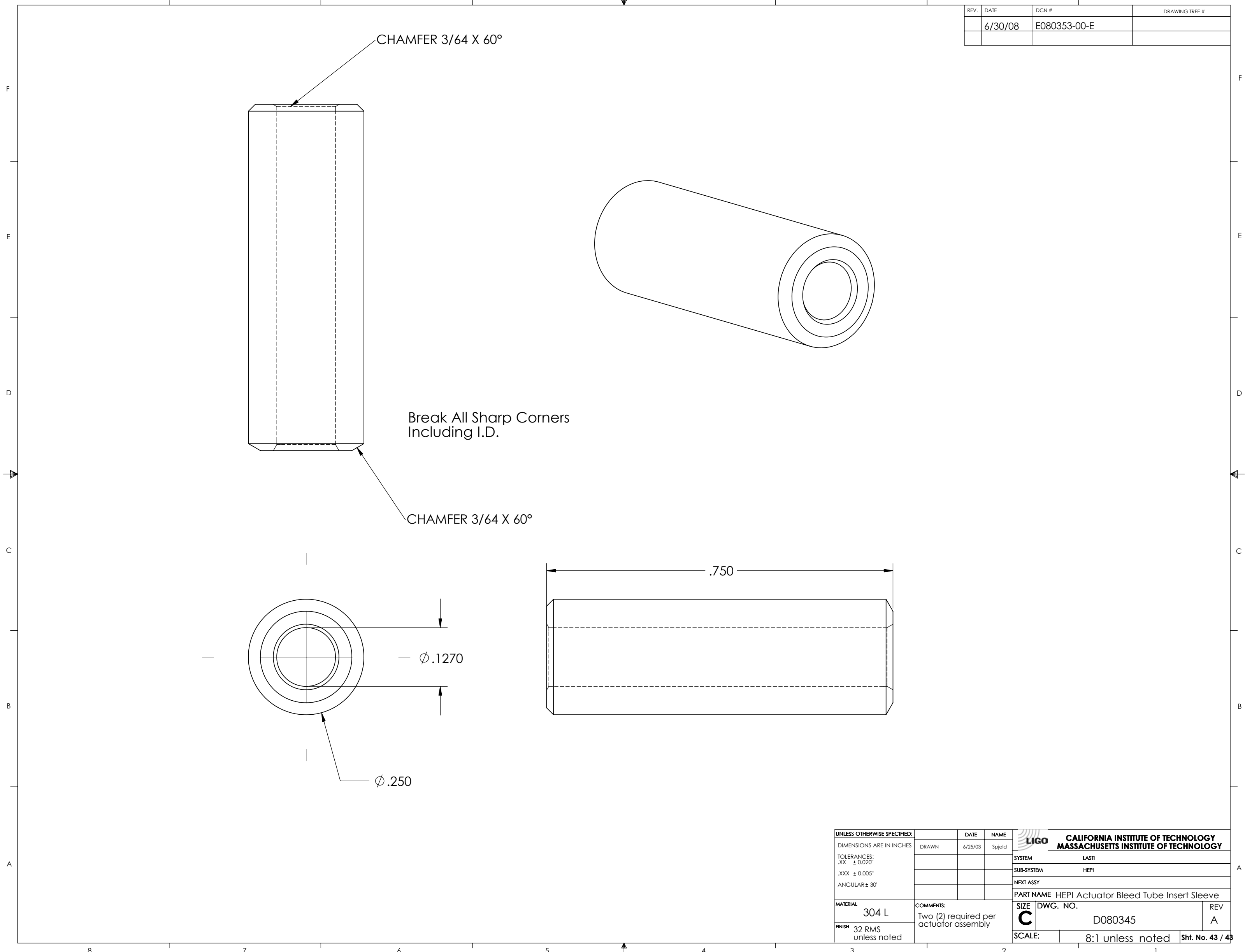


REV.	DATE	DCN #	DRAWING TREE #
	6/30/08	E080353-00-E	



UNLESS OTHERWISE SPECIFIED: DIMENSIONS ARE IN INCHES		DRAWN	DATE	NAME	CALIFORNIA INSTITUTE OF TECHNOLOGY MASSACHUSETTS INSTITUTE OF TECHNOLOGY
TOLERANCES: .XX ± 0.020"			6/25/03	Spjeld	
.XXX ± 0.005"					
ANGULAR ± 30'					
MATERIAL	304 L	COMMENTS: Two (2) required per actuator assembly			SYSTEM LASTI SUB-SYSTEM HEPI NEXT ASSY PART NAME HEPI Actuator Bleed Tube Insert Sleeve
FINISH	32 RMS unless noted	SIZE	DWG. NO.	REV	
		C	D080345	A	
		SCALE:	8:1 unless noted		Sht. No. 43 / 43