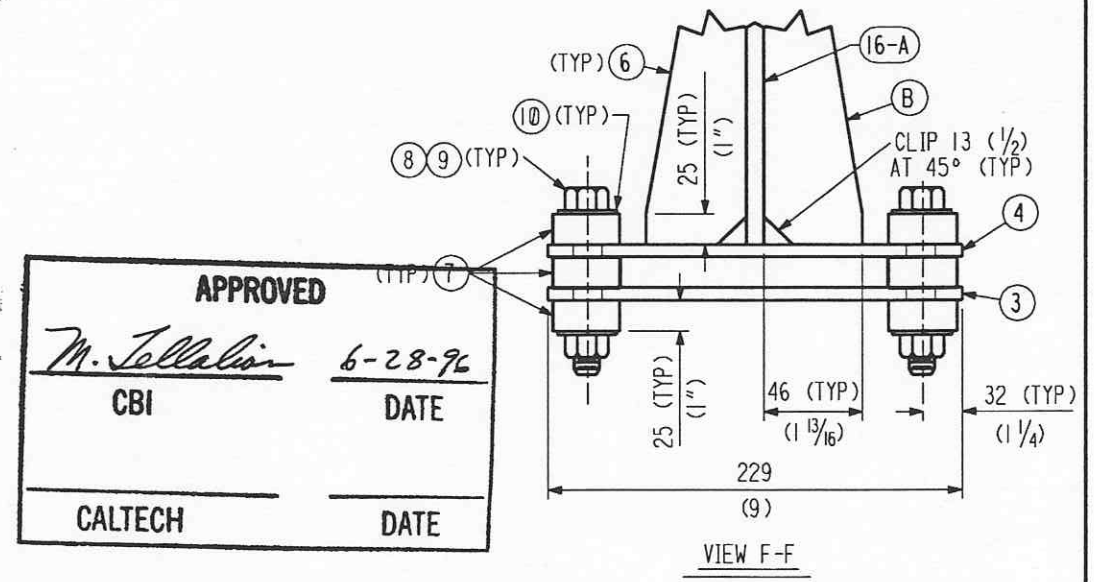


SHP PC	MARK	ASSM PC	DESCRIPTION	LENGTH MM	SPEC	ID
1	6-A		F.S. FRAME ASSY. (AWAY FROM TERM.)		M4	
	6-1	1	TUBULAR STEEL 102 X 102 X 10 (4 X 4 X 3/8 X 4'-9 3/8) W/ HOLES	1458	A500 GR.B	C
	6-2	2	TUBULAR STEEL 102 X 102 X 10 (4 X 4 X 3/16 X 8 17/32)	217	A500 GR.B	C
	6-3	2	PL 102 X 16 THK (4 X 5/8) W/HOLES	229 (9)	A36	C
2	6-B		FIXED SUPPORT BRACKET ASSEMBLY		M4	
	6-4	2	PL 102 X 19 THK (4 X 3/4) W/HOLES	229 (9)	**	C
	6-5	2	PL SK X 10 (3/8)		**	C
	6-6	4	PL SK X 10 (3/4)		**	C
1	6-C		F.S. FRAME ASSY. (NEAR TERMINATION)		M4	
	6-11	1	TUBULAR STEEL 102 X 102 X 10 (4 X 4 X 1/2 X 4'-9 3/8) W/ HOLES	1458	A500 GR.B	C
	6-2	2	TUBULAR STEEL 102 X 102 X 10 (4 X 4 X 3/16 X 8 17/32)	217	A500 GR.B	C
	6-3	2	PL 102 X 16 THK (4 X 5/8) W/HOLES	229 (9)	A36	C
12	6-7		MICARTA BLOCK 44 X 44 X 25 W/ 22 (7/8) DIA HOLES (1 3/4 X 1 3/4 X 1)		GRADE G11	C
4	6-8		INSULATING SLEEVE 3/4 ID X 1/32 THK (FROM F.H. MALONEY CO.)	102 (4)	MYLAR	C
4	6-9		BOLT 19 (3/4) DIA HVY HEX HD W/ NUT	152 (6)	*	Ac
8	6-10		WASHER 19 (3/4) DIA		F436	Ac

* = A325 TYPE 3 (NOT GALV.)
 ** = SA240 TP304L
 M4 = SEE SPEC C-SUPT-1



APPROVED
M. Tellalian 6-28-96
 CBI DATE
 CALTECH DATE

- NOTES:
- WORK THIS DRAWING WITH DWG. #7 AND #8.
 - DETAILED AND BILLED FOR ONE (1) FIXED SUPPORT. TOTAL OF (16) FIXED SUPPORTS (NEAR TERM.) (6-C) AND (376) FIXED SUPPORTS (AWAY FROM TERM.) (6-A) REQUIRED.
 - CARBON STEEL SUPPORT ASS'Y TO BE GALVANIZED PER SPEC. C-SUPT-1.
 - PROVIDE TUBULAR MEMBERS (THAT ARE CLOSED ON THE ENDS) WITH 6 (1/4) DIA. HOLES OR 13 (1/2) DIA. RATHOLES ON ANY TWO OPPOSITE SIDES AT TUBE ENDS AS REQUIRED FOR GALVANIZING.

BY	DATE	REV	REVISIONS	REMARKS
CHKD	3-11-96	1	REV. TYPE OF A325 BOLT	
CHKD	5-07-96	2	ADDED WELD DETAILS, REV. BILLING AND NOTES	
CHKD	5-07-96	3	REV. ENTIRE DRAWING	
CHKD	3-11-96	4	REV. TO INCORPORATE NEW DESIGN	

CUSTOMER'S NO: BY WAW CHKD DET DATE 2-9-94
 M.L. TELLALIAN ENGINEERING ASSIGNED
 CONTRACT NO: 953571
 DWG 6 REV 6D
 SHT

D956035-06-B

55710006.DGN

INDICATES CHANGE FROM PREVIOUS ISSUE