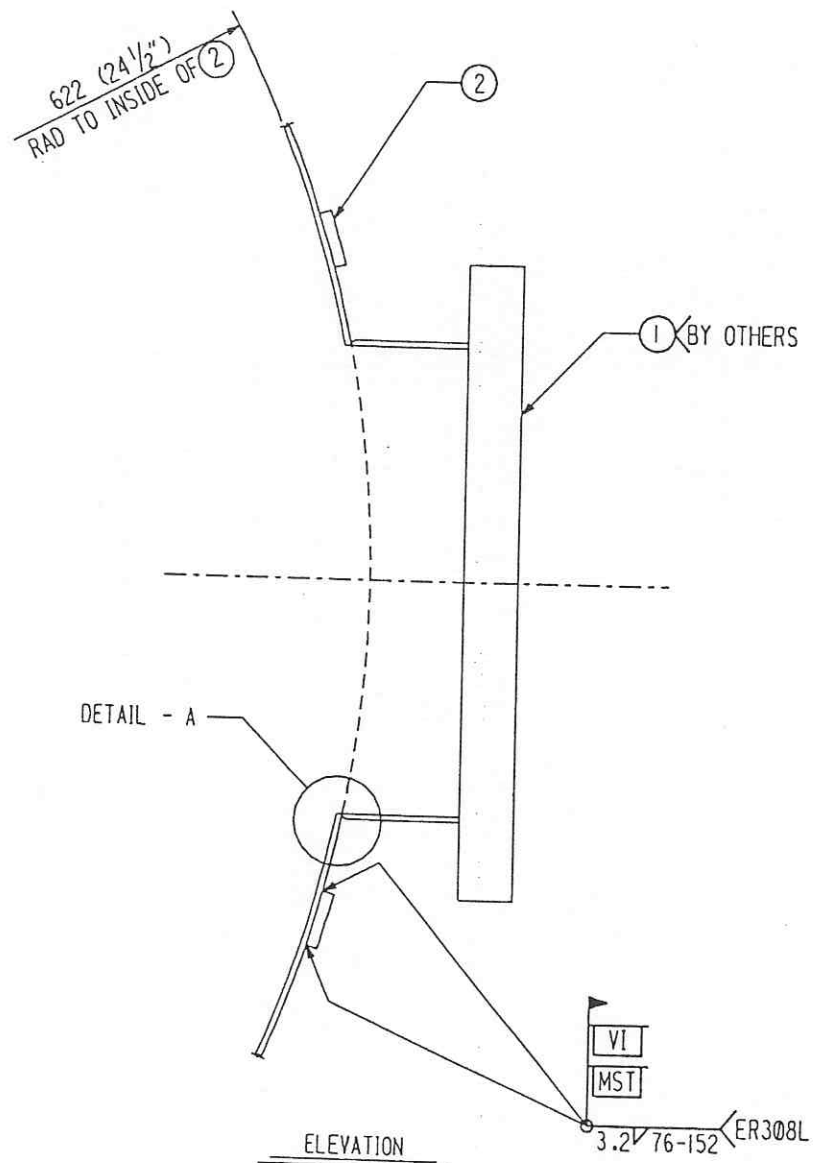
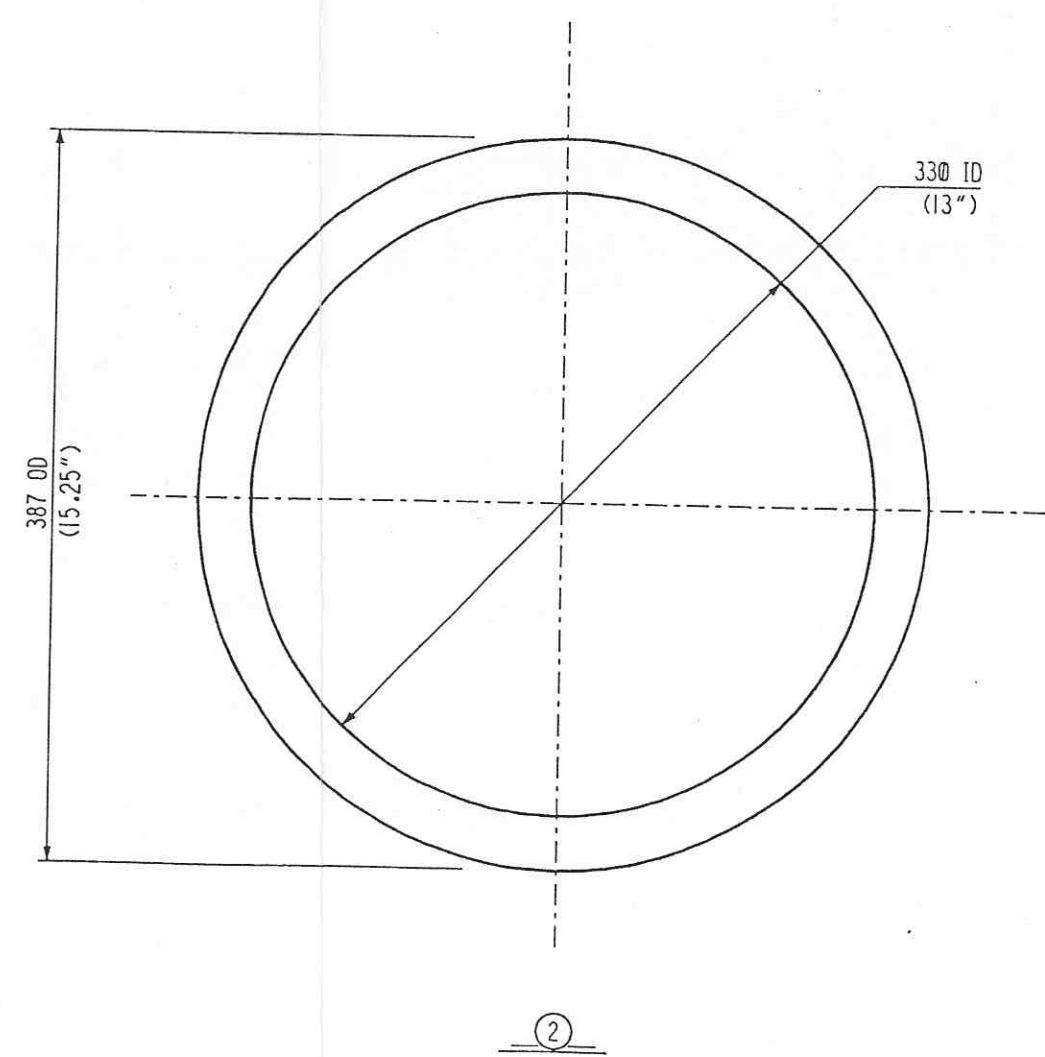


DETAIL - A



ELEVATION



INDICATES CHANGE FROM PREVIOUS ISSUE

Date Received: 11/10/95	LIGO-D950039-02-B Contractor #: CBI 13, Rev. 2
TIM #: 25	LIGO-C960675-00-V
Date: 3 129 196	Approved: [Signature]
TDM #:	LIGO-
Date: / /	Approved:
Gen'l Transmittal	LIGO-
Date: / /	Approved:

SEE NOTE 3

SHIP PC	MARK	ASSN PC	DESCRIPTION	LENGTH MM	SPEC
			PUMP PORTS		
56	13-1		CONFLAT FLANGE OR EQUAL 13 1/4" OD W/PIPE 254 OD x 3.05 THK (10" OD x 0.12" THK)	63 (2.5")	M5
56	13-2		PL 387 OD x 6.35 x 330 ID (15.25" OD x .25" x 13" ID)		M6
			M5 = MAT'L SPEC C-PORT-OP (SA240 TP 304L)		
			M6 = MAT'L SPEC C-PORTPAD-1 (SA240 TP 304L)		

APPROVED

M. Jellalian 11/10/95
CBI DATE

J. Jones 11/10/95
CALTECH DATE

SHOP:
REFER TO FABRICATION SPECIFICATION FOR INSTRUCTIONS.

- NOTES:
- PUMP PORTS TO BE INSTALLED ON THE HORIZONTAL ϕ OF THE BEAM TUBE.
 - REFER TO GENERAL MODULE CONFIGURATION FOR LOCATION & ORIENTATION.
 - CONFLAT IS A REGISTERED TRADE MARK OF VARIAN VACUUM PRODUCTS

3212A013.DGN

BY: [Signature]		REV DETAIL A, NOTES & BILLING MAT'L		REMARKS	
DATE: 11-13-95	BY: [Signature]	DATE: 7-8-94	BY: [Signature]	REVISIONS	
BY: [Signature]		REV MAT'L, RENUMBERED PC WKS.		REMARKS	
DATE: 7-8-94		BY: [Signature]		REVISIONS	
CBI			SUPPLIER'S / PURCHASER'S NO		
PUMP PORTS					
LIGO BEAM TUBE HANFORD, WA & LIVINGSTON, LA					
CUSTOMER'S NO		CONTRACT NO			
BY: [Signature] CHKD: [Signature] DATE: [Signature]		DWG: 13		REV: 2	
ENGINEERING ASSIGNED		SHT			
LIGO-D950039-02-B					