

APPROVED
M. Tellalian 6-28-96
CBI **DATE**
CALTECH **DATE**

- NOTES:
1. POSITION PC. (7) SO CABLE (11) IS KEPT LEVEL. PC. (7) DOES NOT WELD TO PC. (1).
 2. WORK THIS DRAWING WITH DRAWINGS #4 AND 16.
 3. ALL SUPPORT COMPONENTS TO BE FABRICATED PER SPEC. C-SUPT-1.

SHIP PC	MARK	ASSM PC	DESCRIPTION	LENGTH MM	SPEC	ID
2	19-A		GUIDED SUPPORT ASSEMBLY			
	19-1	8	TUBE 76 X 51 X 5 X SK (3 X 2 X 3/16 X 5'-6 1/2 LONG)	1689	A500 GR.B	C
	19-2	2	TUBE 102 X 102 X 5 (4 X 4 X 3/16 X 5'-6 1/4)	1683	A500 GR.B	C
	19-4 R/L	8	C 76 X 4.1 (C 3 X 4.1 X 2'-5 25/32 LONG) X SK	756	A36	C
	19-5	4	PL 102 X 10 (4 X 3/8) W/ HOLE	229 (9)	A36	C
	19-8	4	PL 114 X 13 (4 1/2 X 1/2)	229 (9)	A36	C
	19-24	2	PL SK X 13 (1/2)		A36	C
2	19-B R/L		ALIGNMENT BASE PLATE ASSEMBLY			
	19-23 R/L	2	PL SK X 13 (1/2)		A36	C
	19-24	2	PL SK X 13 (1/2)		A36	C
4	19-3		C 76 X 4.1 (C 3 X 4.1 X 6'-6 1/2 LONG) X SK	1994	A36	C
4	19-6		PL SK X 19 (3/4)		A36	C
4	19-7		PL 102 X 10 (4 X 3/8) W/ HOLE	203 (8)	A36	C
16	19-9		BOLT 13 (1/2) DIA HVY HEX	127 (5)	A307 GR.B	Ac
48	19-10		NUT 13 (1/2) DIA HVY HEX		A307 GR.B	Ac
4	19-11		CABLE 6 (1/4) DIA (7 X 19 OR 6 X 19) GALV. W/ TWO 13 (1/2) DIA 76 (3) LONG THREADED PLUGS ZINC PL.	940 (3'-1)	CS	C
4	19-12		WASHER 13 (1/2) DIA HVY DUTY HARDENED		F436	Ac
2	19-13		PL SK X 13 (1/2) (SHOP ATT. TO 16-A)		***	C
4	19-14 R/L		PL SK X 13 (1/2) (SHOP ATT. TO 16-A)		***	C
4	19-15		CABLE 10 (3/8) DIA (7 X 19 OR 6 X 19) GALV. W/ TWO 19 (3/4) DIA (10) LONG AND ONE 76 (3) LONG THREADED PLUGS ZINC PL., ONE 254	1092 (3'-7)	CS	C
4	19-16		WASHER 19 (3/4) DIA HVY DUTY HARDENED		F436	Ac
16	19-17		NUT 19 (3/4) DIA HVY HEX		A307 GR.B	Ac
4	19-18		GROMMET X SK		*	C
8	19-19		ANCHOR BOLT 13 (1/2) DIA HILT HY-150 (4 1/4 EMBED) W/ 3 NUTS AND ADHESIVE	279 (11)	A193-B7	C
16	19-20		BELLEVILLE WASHER 13 (1/2) DIA SPEC #B1000-073-S		SS	C
4	19-21		GROMMET X SK YOROLITE		GRADE G11	C
4	19-22		GROMMET X SK YOROLITE		GRADE G11	C
4	19-24		PL SK X 13 (1/2)		A36	C
2	19-25		PL SK X 13 (1/2)		A36	C
4	19-26		GROMMET X SK		*	C
4	19-27		PL SK X 10 (3/8)		A36	C
32	19-28		WASHER 13 (1/2) DIA HARDENED		F436	Ac

DETAILED AND BILLED FOR (1), (400) REQUIRED

SUPPLIER'S / PURCHASER'S NO

CBI

LIGO BEAM TUBE
HANFORD, WA & LIVINGSTON, LA
BEAM TUBE GUIDED SUPPORT
ELEVATION

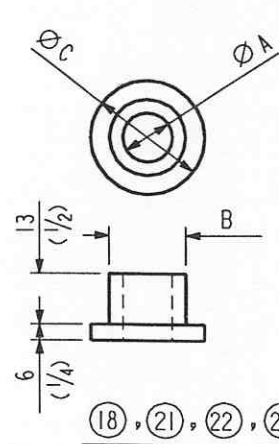
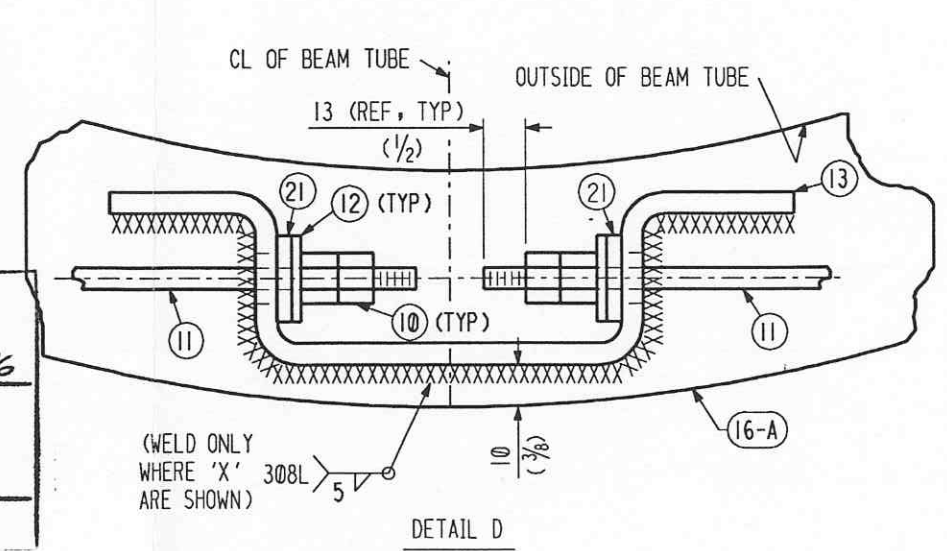
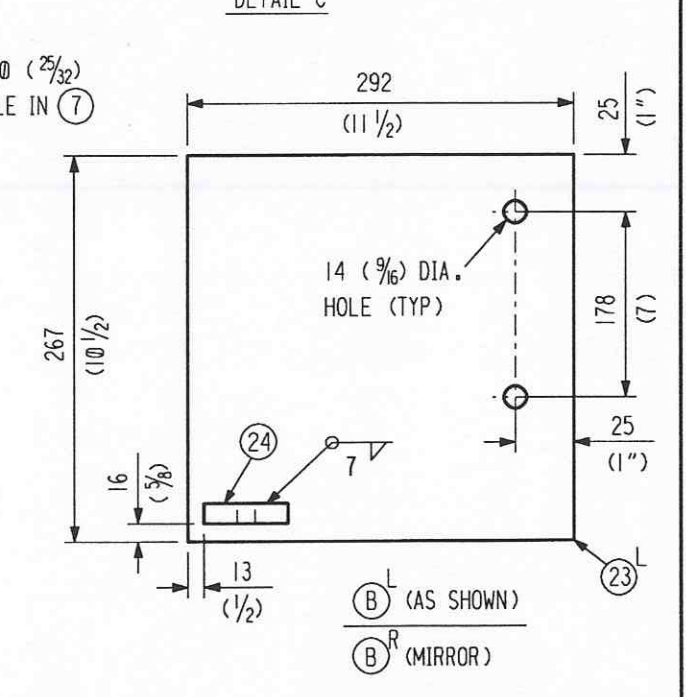
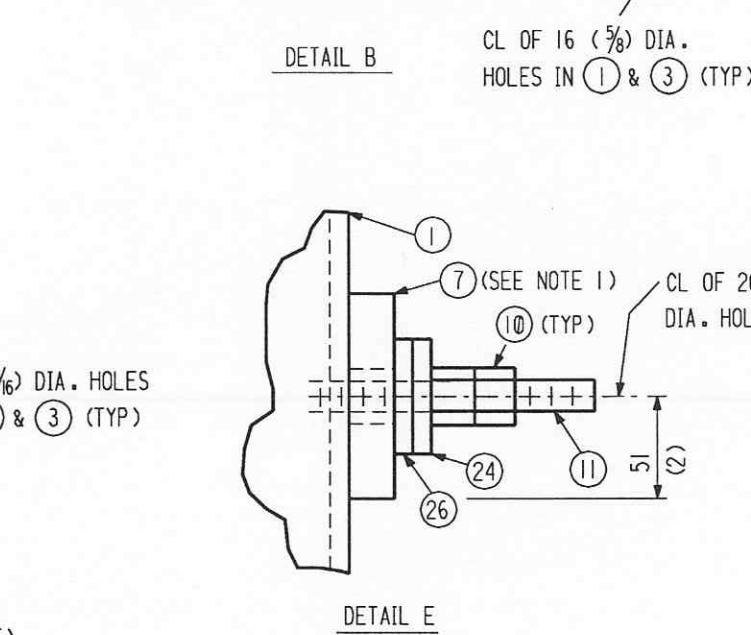
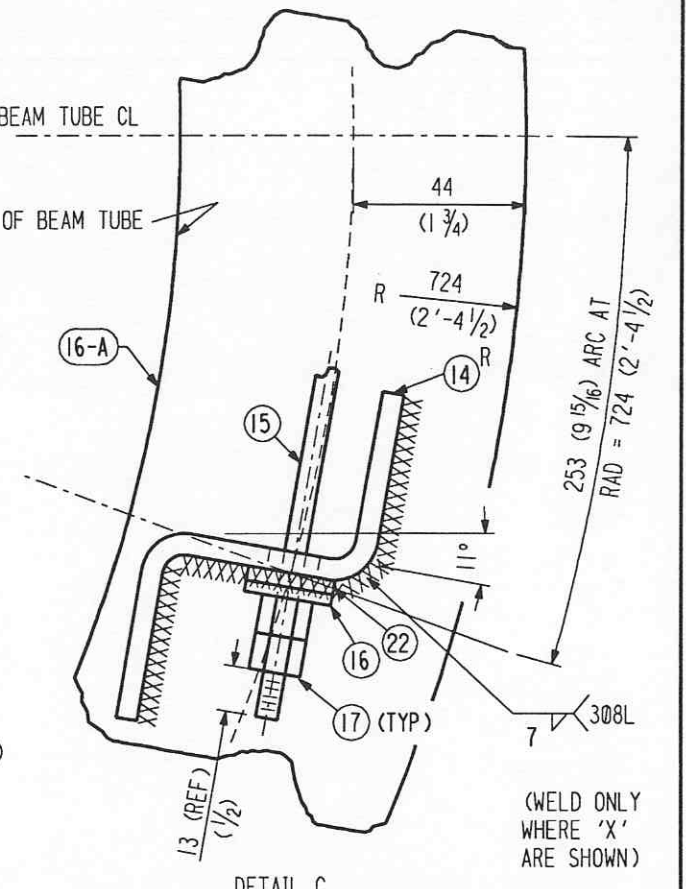
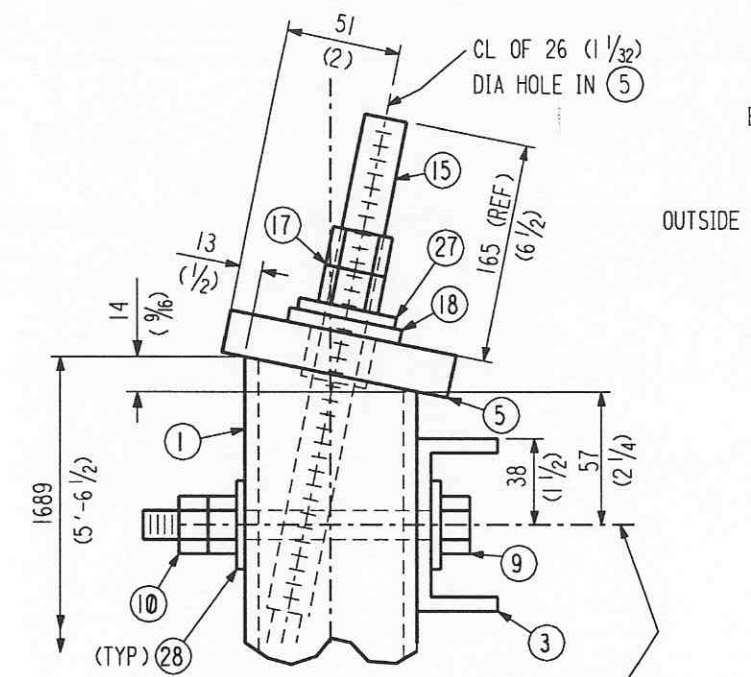
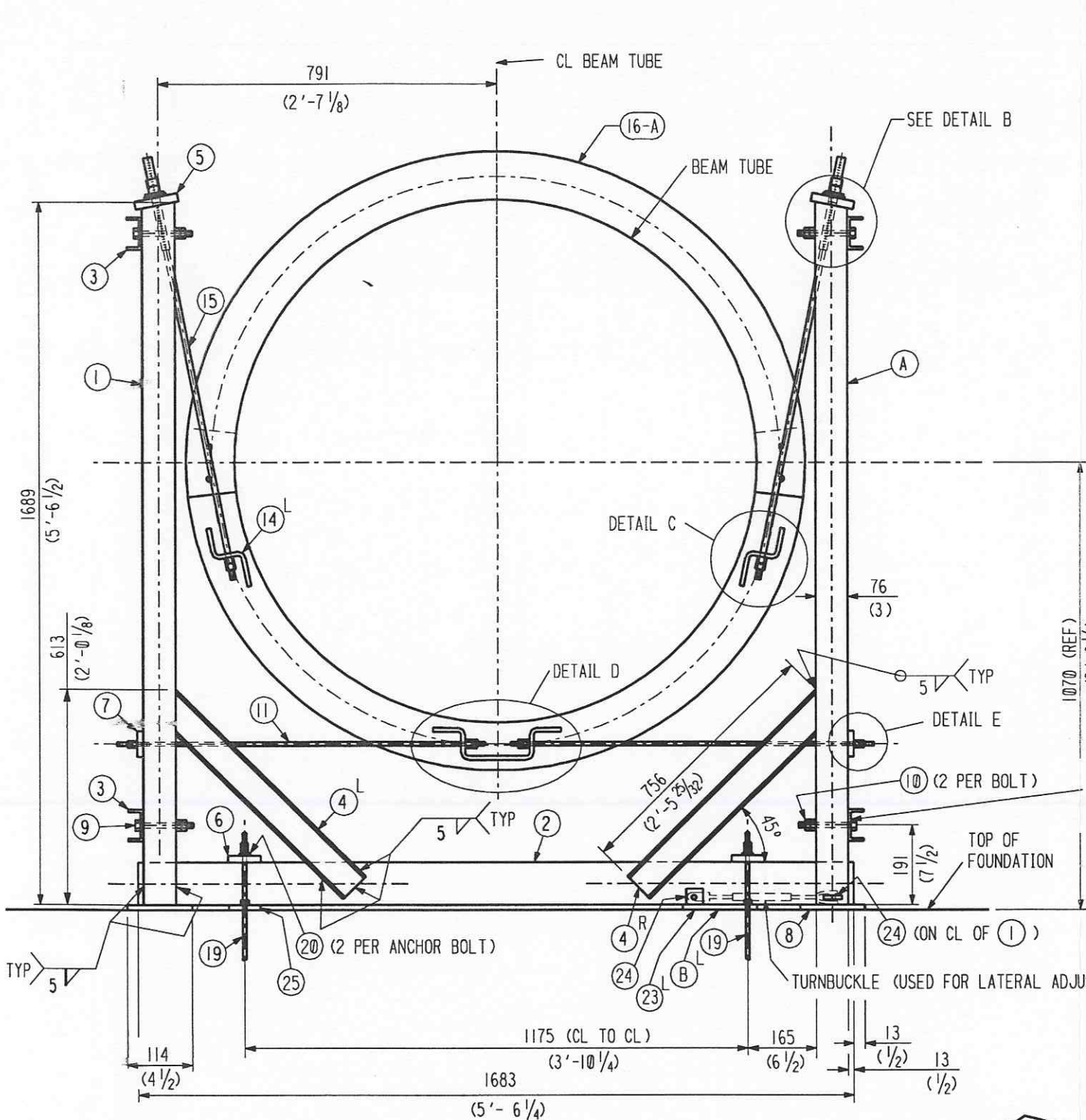
CUSTOMER'S NO _____ CONTRACT NO 953571
BY WAW_CHKD_DET DATE 3-15-94
M.L. TELLALIAN
ENGINEERING ASSIGNED

DWG 19 REV 6D
SHT 1

D95004A-06-B

55710119.DGN

INDICATES CHANGE FROM PREVIOUS ISSUE



SECTION A-A
(ALL PIECE MARKS AND DIMENSIONS ARE TYP)

GROMMET TABLE

PC.	A	B	C
(18)	20 (25/32)	25 (1")	51 (2)
(21), (26)	13 (17/32)	19 (3/4)	38 (1 1/2)
(22)	20 (25/32)	25 (1")	38 (1 1/2)

APPROVED
M. Tellalian 6-28-96
CBI DATE
DATE

CBI SUPPLIER'S / PURCHASER'S NO

LIGO BEAM TUBE
HANFORD, WA & LIVINGSTON, LA

BEAM TUBE GUIDED SUPPORT
ELEVATION AND DETAILS

CUSTOMER'S NO
BY DTR CHKD MLT DATE 2/20/96

M.L. TELLALIAN
ENGINEERING ASSIGNED

CONTRACT NO
953571

DWG 19
SHT 2 REV 6D

REVISIONS

55710219.DGN

INDICATES CHANGE FROM PREVIOUS ISSUE