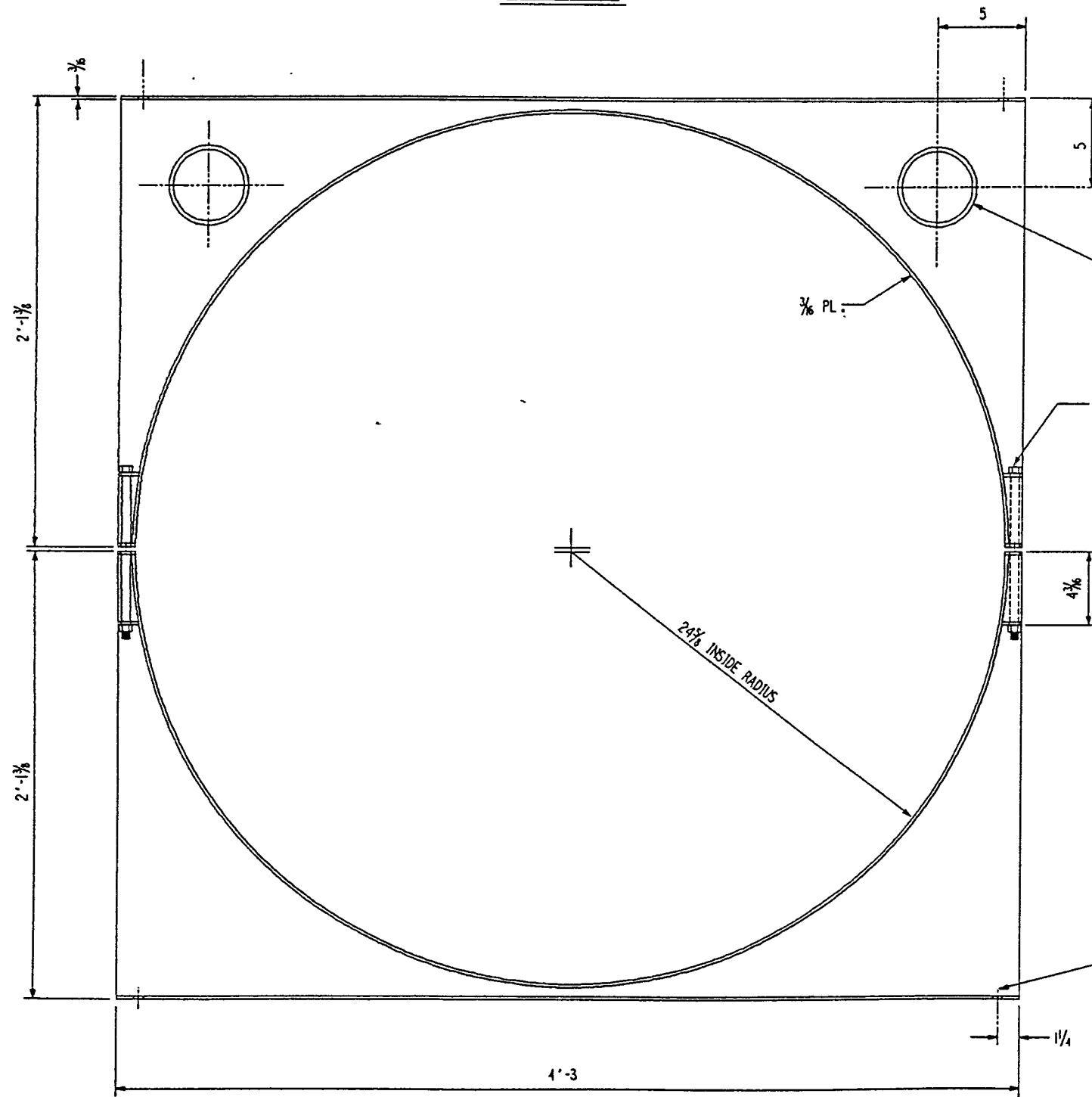
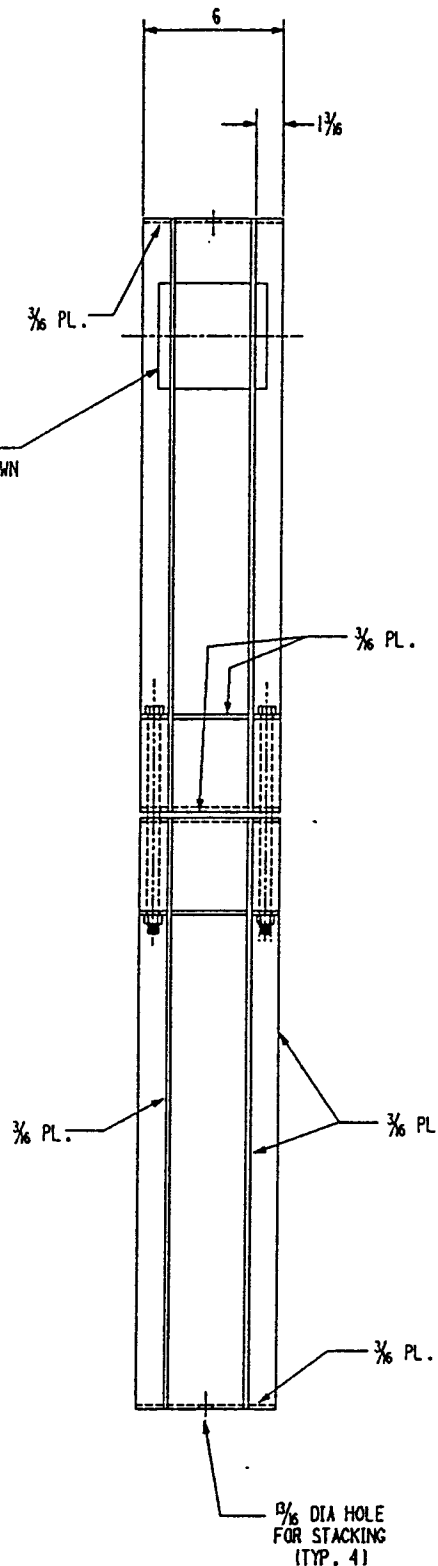


TOP VIEW



ELEVATION VIEW



SIDE VIEW

▶ INDICATES CHANGE FROM PREVIOUS ISSUE

Date Received: 11/10/95	LIGO-D950049-01-B Contractor # CBI ER-16, Rev. 1
TIM #:	LIGO-
Date: / /	Approved:
TDM #:	LIGO-
Date: / /	Approved:
Gen'l Transmittal	LIGO-
Date: / /	Approved:

APPROVED

*M. Tellalain* 11/10/95  
CBI DATE

*J. Jones* 11/10/95  
CALC DATE

**NOTES:**

1. USE RUBBER SHEETING AS SOFTENER BETWEEN FRAME AND TUBE SHELL. INSTALL SUFFICIENT RUBBER SHEETING TO PROVIDE A SNUG FIT AROUND THE TUBE.
2. THE TUBE SECTIONS MUST BE HANDLED EACH SEPARATE.

CAD FILE 30212016.DGN

Supplier's/Purchaser's No. _____	
<b>CBI</b>	
<b>LIGO PROJECT</b>	
TRANSPORT & HANDLING FRAME FOR UNSTIFFENED TUBE SECTIONS	
Customer's No. _____	Contract No. 930212
By <u>DKL</u> Chkd _____ Date 3-23-94	Dwg. ER-16 Rev. _____
J.L. RINGELSTETTER Engineering Supervisor	
Sheet - 1	
<b>LIGO-D950049-01-B</b>	