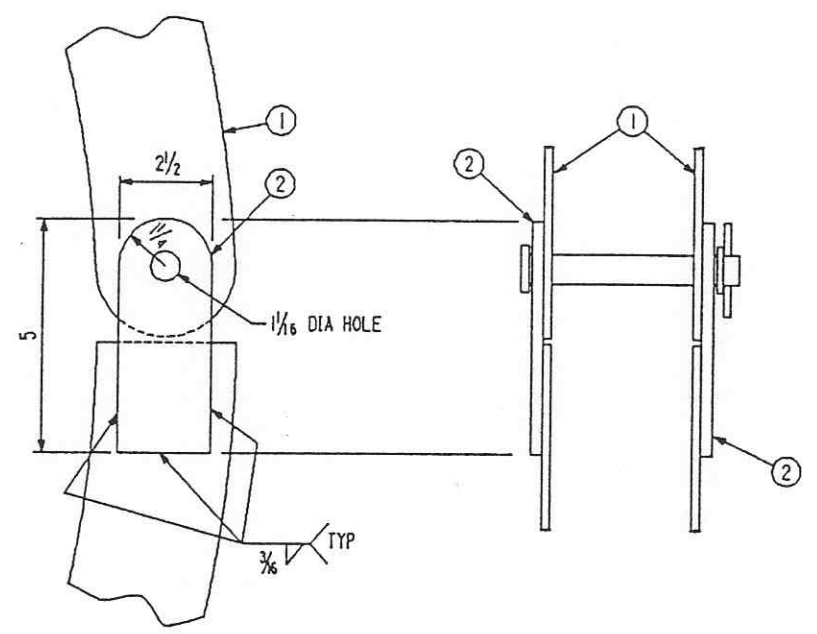


SHP PC	MARK	ASSY PC	DESCRIPTION	LENGTH		SPEC	EST WEIGHT
				FT	IN		
4	ER46-1		PL 3/8 X SK			A36	48
4	ER46-2		PL 1/4 X SK			A36	5
40			PL 2 X 3/8	0	3	A36	25
20			SQUARE TUBING 1/2 X 1/8 WALL	0	10	C.S.	20
4			SQUARE TUBING 1/2 X 1/8 WALL	0	4	C.S.	2
4			PL 2 1/2 X 3/4 X SK	0	3	C.S.	3
68			1/2 DIA SWIVEL SCREW CLAMPS (ICARR LANE CL-40-SSC-5 OR EQ)	0	4		
20			HAND KNOB ASSY W/ 1/2 DIA SCREW (ICARR LANE CL-7C-HK4T OR EQUAL)	0	2		
48			1/2 DIA SQ NUT				

APPROVED

M. Jellalian 11/10/95
CBI DATE

J. Jones 11/10/95
CALVERT DATE



DETAIL D
ER45

NOTES:
1. WORK WITH DRAWING ER45.

Date Received: 11/10/95	LIGO-D950051-03-B Contractor # CBI ER-46, Rev. 3
TIM #:	LIGO-
Date: / /	Approved:
TDM #:	LIGO-
Date: / /	Approved:
Gen'l Transmittal	LIGO-
Date: / /	Approved:

Supplier's/Purchaser's No.	
CBI	
LIGO PROJECT FIT UP CLAMP DETAILS	
Customer's No.	Contract No.
By PER Chkd Date 11-12-93	930212ER
J. L. RINGELSTETTER Engineering Supervisor	Dwg. ER46 Rev. 3 Sheet - 3
LIGO-D950051-03-B	

CAD FILE 30212046.DGN

INDICATES CHANGE FROM PREVIOUS ISSUE