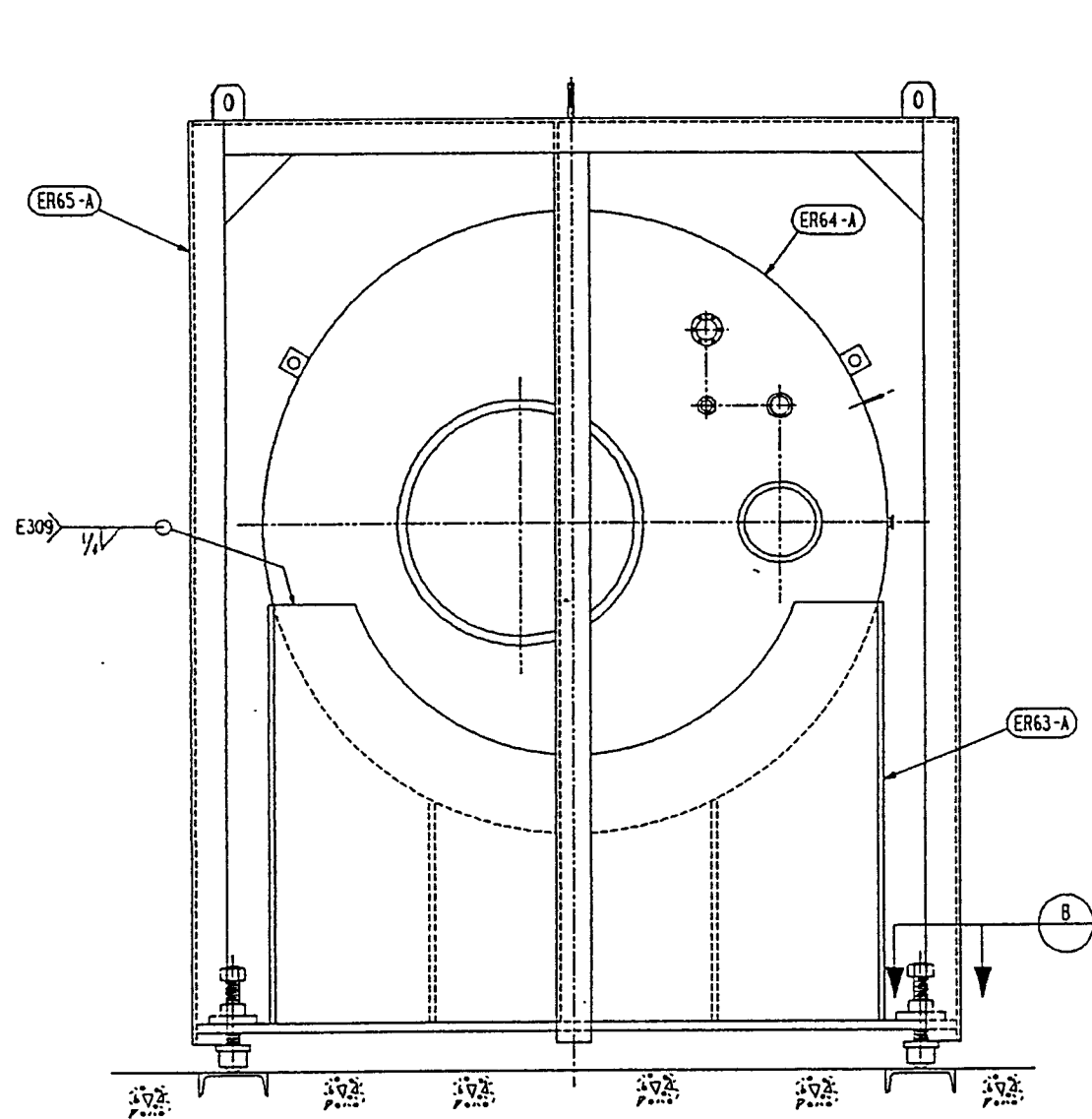
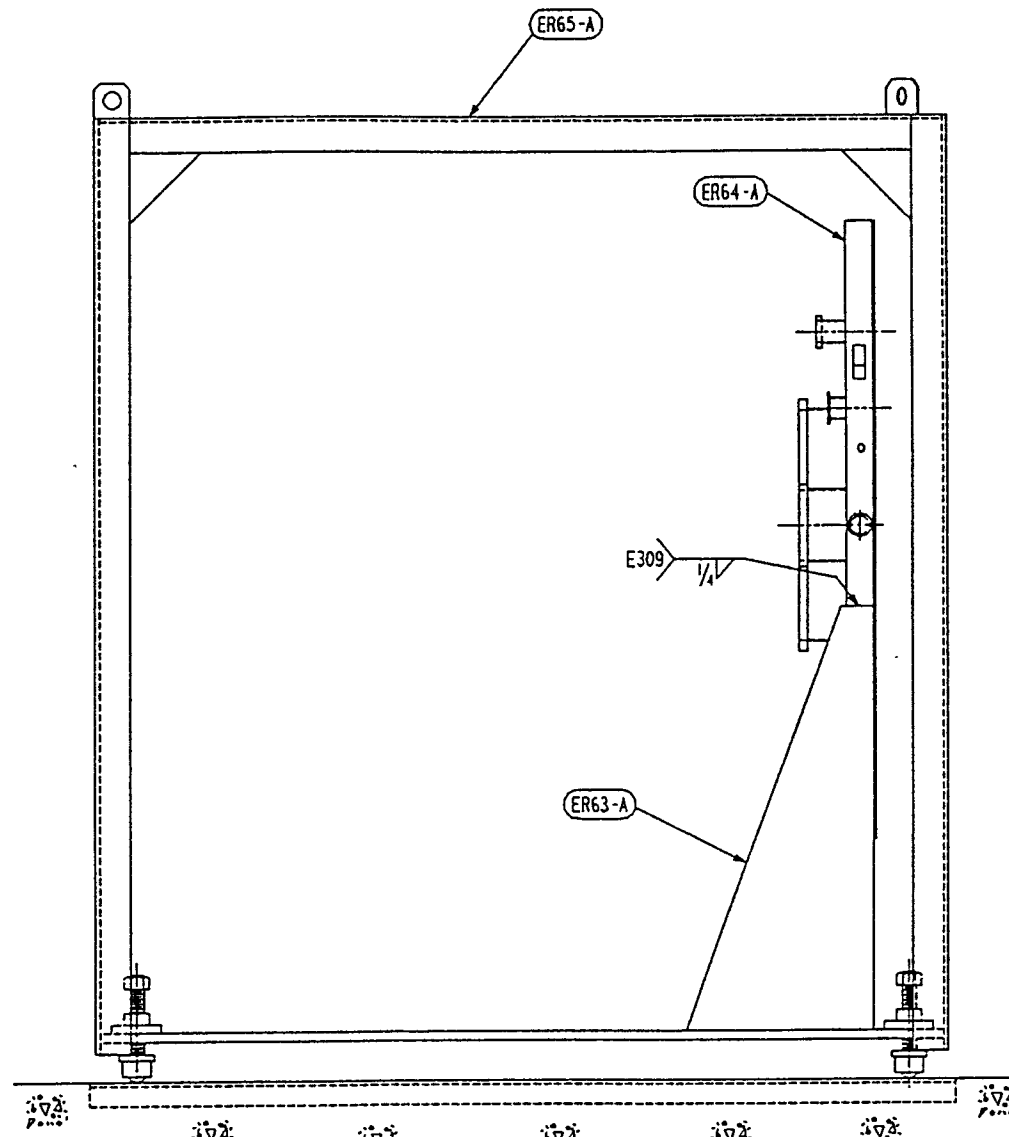


SHP PC	MARK	ASSY PC	DESCRIPTION	LENGTH		SPEC	EST WEIGHT
				FT	INCHES		
# 1	ER62-A		CARRIAGE SUBASSEMBLY				X
	ER63-A		ROLLING BASE SUBASSEMBLY				X
	ER64-A		CAP SUBASSEMBLY				X
	ER65-A		LIFTING FRAME SUBASSEMBLY				X

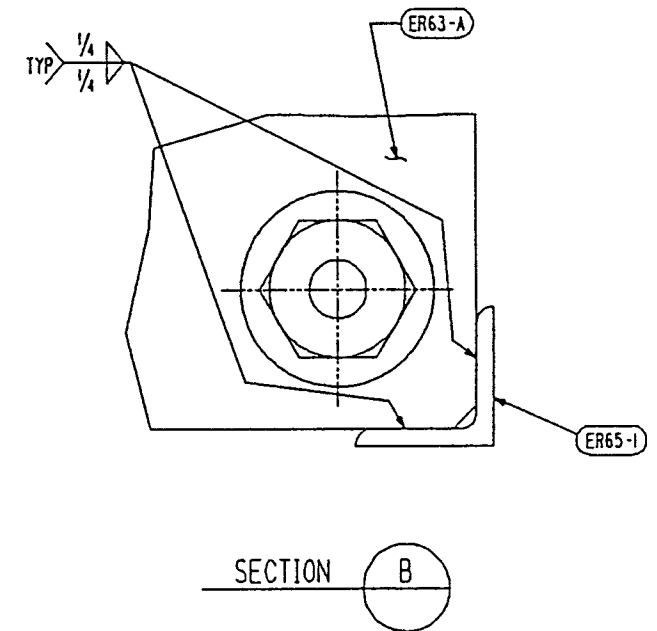
* BILLING FOR 1 + 3 REQUIRED.



END VIEW



SIDE VIEW



SECTION B

NOTES:

1. - WORK THIS DWG WITH DWG ER-63, ER-64 AND ER-65.

APPROVED

M. Jellalian 11/14/95
CBI DATE

J. Jones 11/10/95
CALTECH DATE

Date Received: 11/10/95	LIGO-D950062-02-B Contractor #: CBI ER-62 Rev. 2
TIM #:	LIGO-
Date: / /	Approved
TDM #:	LIGO-
Date: / /	Approved:
Gen'l Transmittal	LIGO-
Date: / /	Approved:

INDICATES CHANGE FROM PREVIOUS ISSUE

Supplier's/Purchaser's No. _____	
CBI	
LIGO PROJECT LEAK TEST ARRANGEMENT VACUUM PUMP END SEAL CARRIAGE SUBASSEMBLY	
Customer's No. By BSA Chkd RDS Date 3-10-94 J. L. RINGELSTETTER Engineering Supervisor	Contract No. 930212ER Dwg. ER-62 Rev. 2 Sheet 2
LIGO-D950062-02-B	

THIS DRAWING HAS BEEN PREPARED BY HOUSTON CONSTRUCTION SERVICES DEPT. (OED) FORM OHC 30 A REV SEP 83