

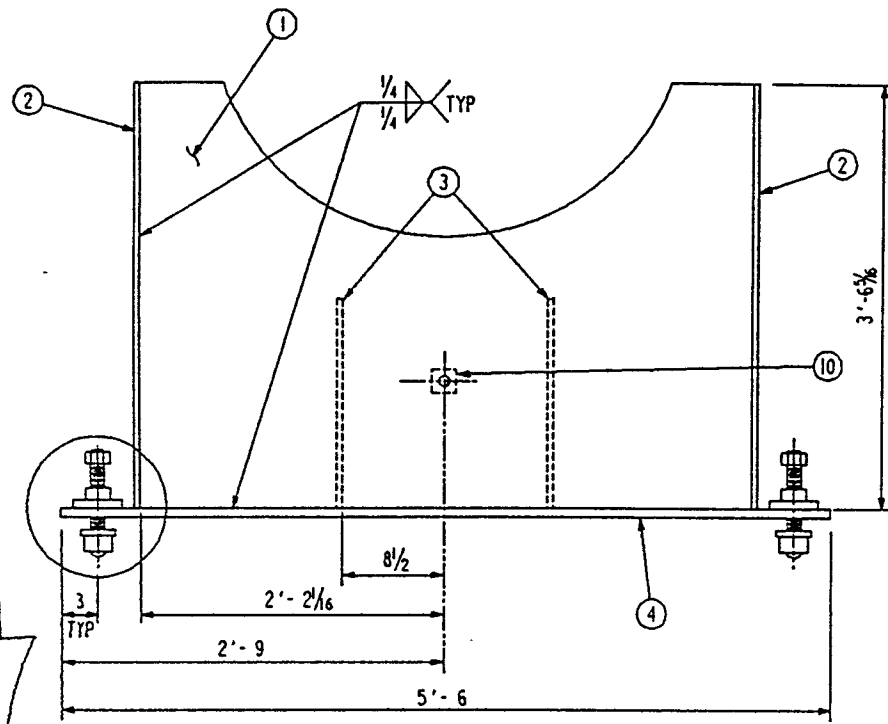
Date Rev: LIGO-0950063-02-B  
 LIGO-0950063-02-B  
 Comments: 02-01 (C)

CAD FILE: 30212063.DWG

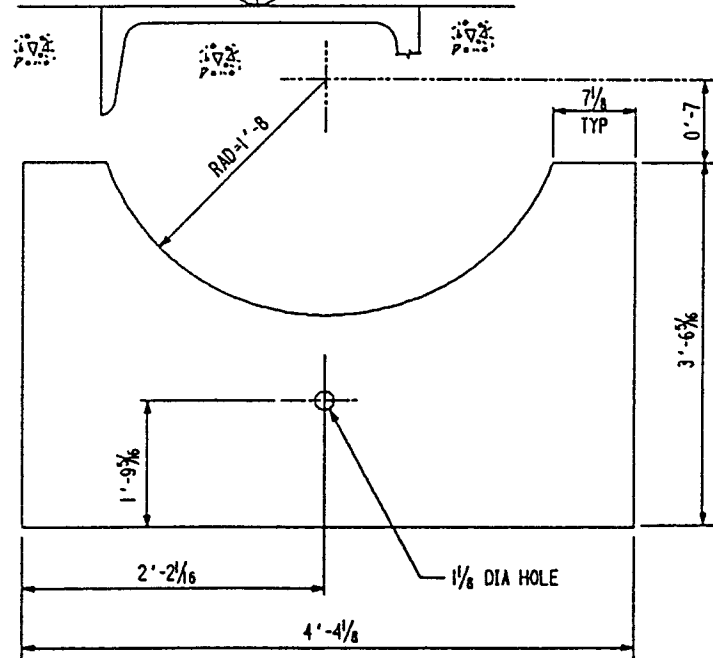
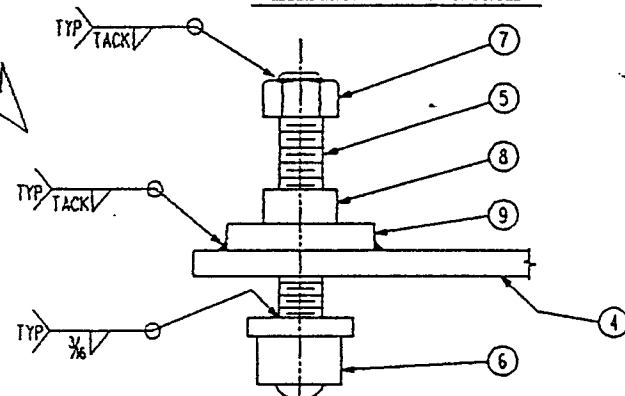
TIME: / /  
 TDM: / /  
 Date: / /

LIGO- / /  
 Gen'l Transmittal: / /  
 Date: / /

LIGO- / /  
 Approved: / /  
 Date: / /



**ELEVATION VIEW**

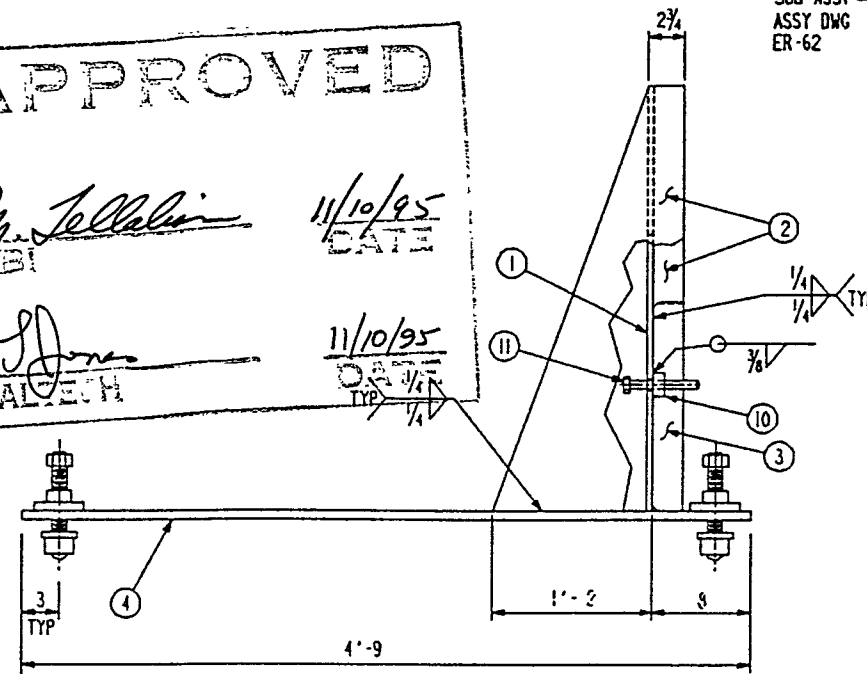


**1**

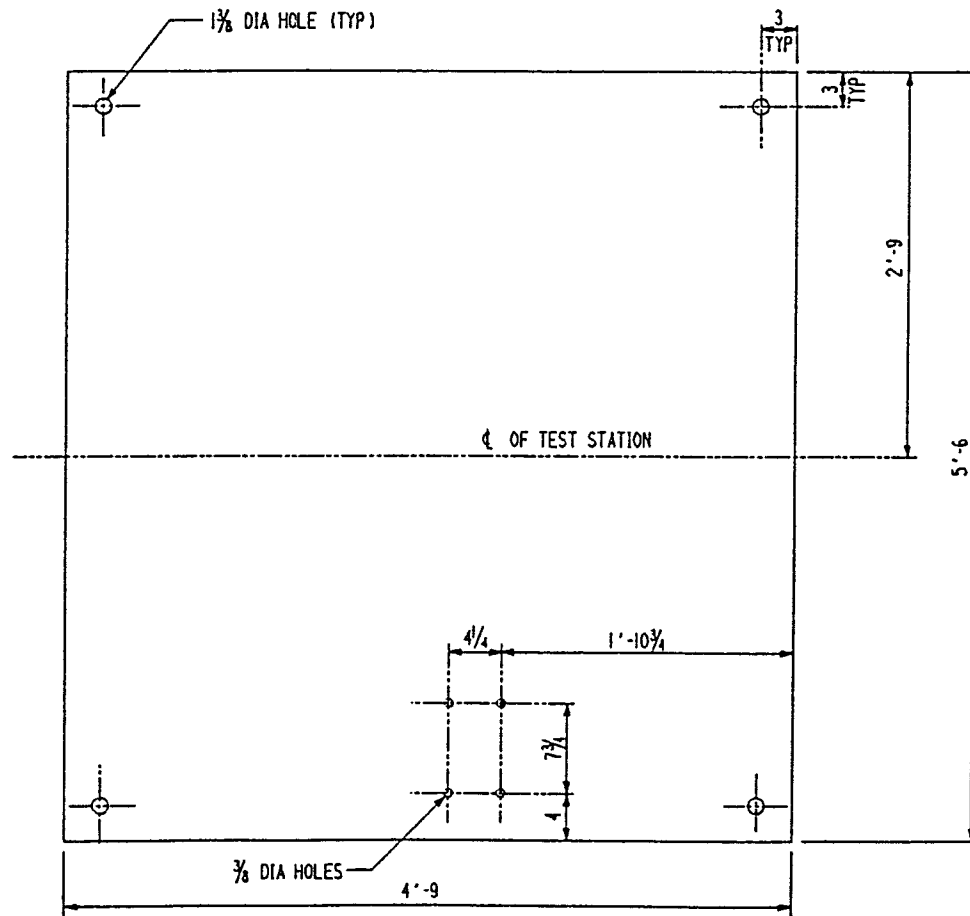
APPROVED

*M. Jellalain* 11/10/95  
 CBI DATE

*J. Jones* 11/10/95  
 CALVERT DATE



**A**  
**SIDE VIEW**

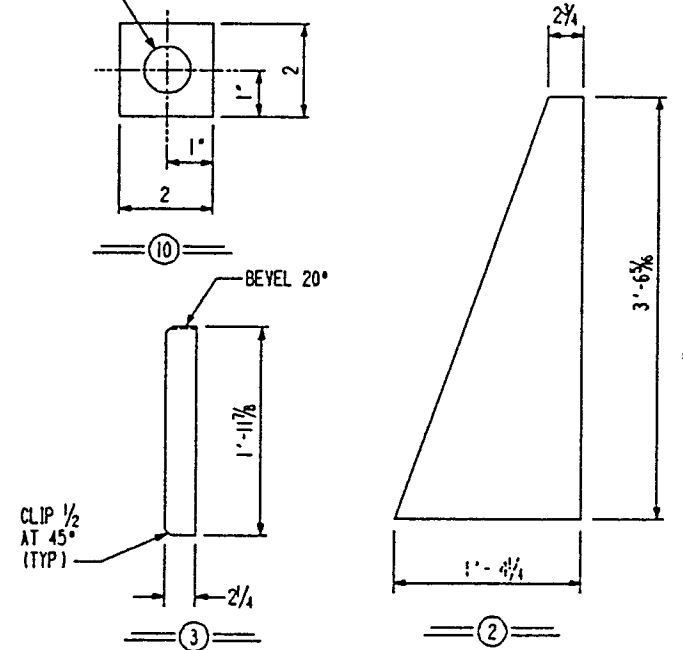


**4**

#	MARK	ASSY PC	DESCRIPTION	LENGTH		SPEC	EST WEIGHT
				FT	INCHES		
ER63-A			ROLLING BASE SUBASSEMBLY				X
ER63-1	1		PLATE SK X 1/2 (CF 43" X 4'-4 1/8")			A36	X
ER63-2	2		PLATE SK X 1/2 (CF 19" X 3'-7 C2)			A36	X
ER63-3	2		PLATE 1/2 X SK (CF 3 3/4 X 2'-0 1)	1	11 1/8	A36	X
ER63-4	1		PLATE 57 X 1/2 X SK	5	6	A36	X
ER63-5	4		ACME ROD 1/4 DIA - 5TPI RIGHT-HAND THD	0	6	CARB STL	X
ER63-6	4		FLANGE MOUNTED UNIT - 1/2 DIA BALL TRANSFER HIGH CAP. "McMASTER-CARR" NO. 2415T64 ZINC PLATED			CARB STL	X
ER63-7	4		ACME NUT 1/4 DIA - 5TPI RIGHT-HAND THD "McMASTER-CARR" NO. 94815A116			CARB STL	X
ER63-8	4		ACME BRONZE ROUND NUT 1/4 DIA - 5TPI RIGHT-HAND TRD "McMASTER-CARR" NO. 95072A118			BRONZE	X
ER63-9	4		ACME MOUNTING FLANGE 1/4 DIA "McMASTER-CARR" NO. 95082A645			CARB STL	X
ER63-10	1		PLATE SK X 1" (CF 3 X 0'-3 C1)	0	2	A36	X
ER63-11	1		BOLT 1" DIA REG FIN HEX HEAD THREAD FULL LENGTH	0	6	A307B	X

\* BILLING FOR 1 + 3 REQUIRED.

TAPPED HOLE 1-8-UNC



**NOTES:**

1. WORK THIS DWG WITH DWG ER-62.

Supplier's/Purchaser's No. \_\_\_\_\_

**CBI**

**LIGO PROJECT  
LEAK TEST ARRANGEMENT**

VACUUM PUMP END SEAL  
ROLLING BASE SUBASSEMBLY

Customer's No. \_\_\_\_\_ Contract No. 930212ER

By: BSA Chkd: RDS Date: 1-12-94  
 J. L. RINDESTETTER  
 Engineering Supervisor

Dwg. ER-63 Rev. 2  
 Sheet - 2

**LIGO - D950063-02-B**

INDICATES CHANGE FROM PREVIOUS ISSUE