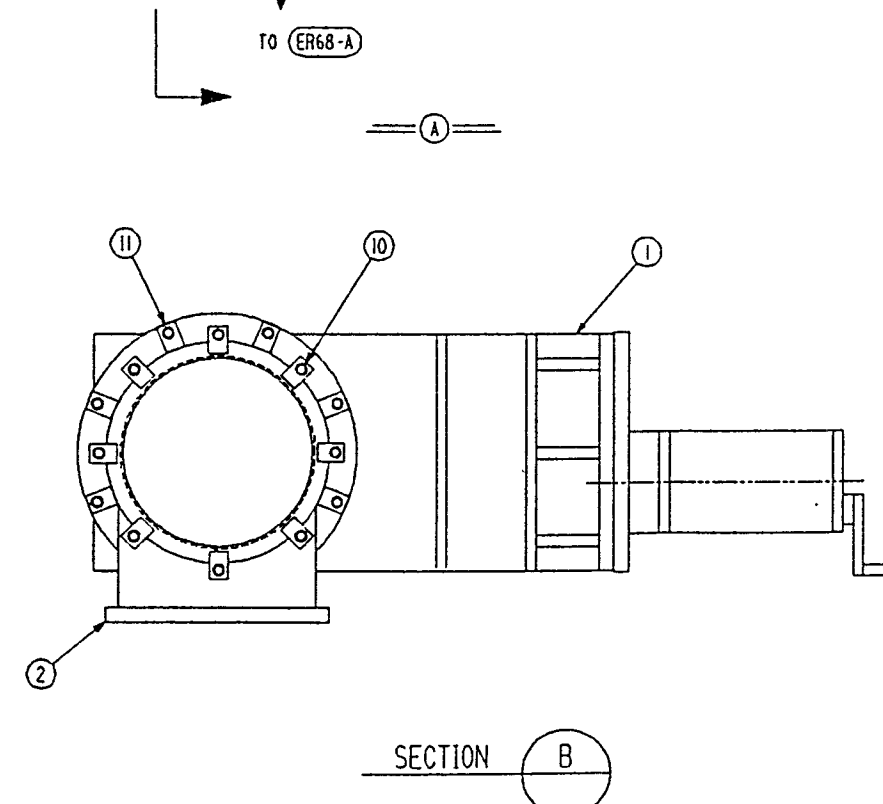
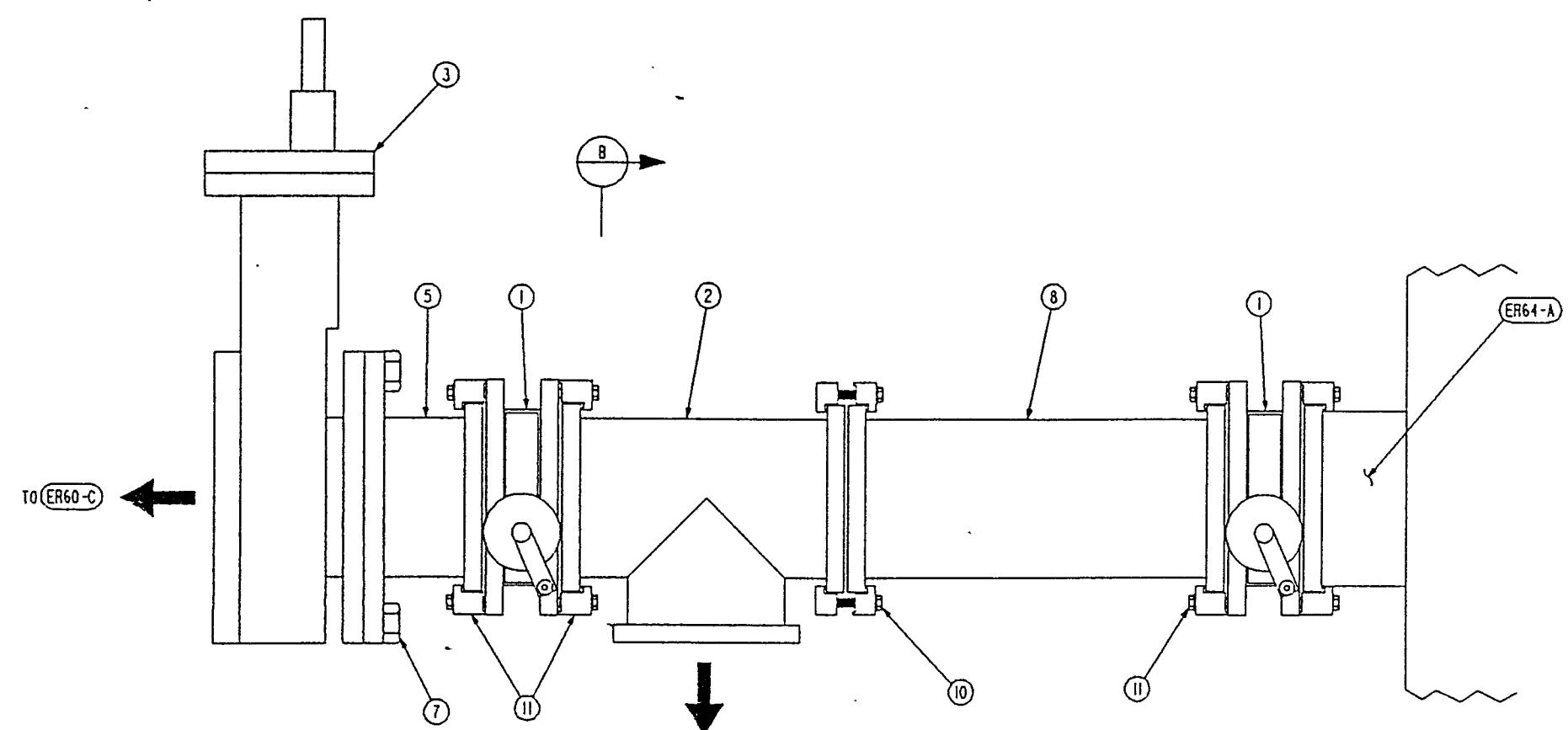


SUB ASSY  
ASSY DWG  
ER-62

MARK	ASSY PC	DESCRIPTION	LENGTH		SPEC	EST WEIGHT
			FT	INCHES		
* 1 ER66-A		MECHANICAL VACUUM PUMP LINE SUBASSY				X
ER66-1	2	UNY GATE VALVE DN 160 ISO-F (6 INCH) W/MANUAL ACTUATOR - "VAT" SERIES 10 ORDERING NO. 10844-PE01 OR EQUAL	0	2 1/4	STN STL	X
ER66-2	1	T-PIECE DN 160 ISO-K (6 INCH) "BALZERS" ORDER NO. BP 217 093-X OR EQUAL	0	10 3/8	STN STL	X
ER66-3	1	LIQUID NITROGEN TRAP W/ASA FLANGE "GNB" MODEL NO. LNT6. PART NO. 31714 OR EQUAL	0	6	STN STL	X
ER66-4	1	VITON O-RING - 1/4" NOM. SECTION 8.475 ID "LESKER" PART NO. 0-Y446 OR EQUAL			VITON	-
ER66-5	1	"K" ISO 160 TO ASA II OD ADAPTER "LESKER" PART NO. QF160-ASA-L OR EQUAL	0	4 1/8	STN STL	X
ER66-7	8	BOLT 1/4 DIA REG FIN HEX HEAD	0	2	A307B	X
ER66-8	1	FULL NIPPLE "K"-ISO 160 TUBE 6 OD "LESKER" PART NO. QF160-600-NL OR EQUAL	0	10 7/8	STN STL	X
ER66-9	5	STAINLESS/AL CENTERING RING (BUNA-N) FOR ISO FLANGE SIZE 160 (6 INCH) "LESKER" PART NO. QF160-SABR OR EQUAL	0	3/32	STN/AL	X
ER66-10	8	AL DOUBLE CLAMP "K"-STYLE FOR ISO FLANGE SIZE 160 (6 INCH) "LESKER" PART NO. QF-SOC-AL2 OR EQUAL			ALUM	X
ER66-11	32	AL SINGLE CLAMP (METRIC) "F"-STYLE FOR ISO FLANGE SIZE 160 (6 INCH) THREAD M10 "LESKER" PART NO. QF-MSC-ALM OR EQUAL			ALUM	X

\* BILLING FOR 1 + 3 REQUIRED.



APPROVED

*M. Jellison*      11/10/95  
CBI                      DATE

*J. Jones*              11/10/95  
CALTON                DATE

**NOTES:**

1. WORK THIS DWG WITH DWG ER-62 AND ER-64.
2. THE O-RING WHICH CAN ALLOW HELIUM TO PERMEATE TO THE HMS MUST BE BAGGED AND PURGED WITH NITROGEN OR REPLACED WITH METAL SEAL IF HELIUM PERMEATED PREVENTS LEAK TESTING TO A SENSITIVITY OF  $1 \times 10^{-8}$  atmcc/sec.

Date Received: 11/10/95	LIGO- D950066-02-B Contractor #: CBI ER-66, Rev. 2
TIM #:	LIGO-
Date: / /	Approved:
TDM #:	LIGO-
Date: / /	Approved:
Gen'l Transmittal	LIGO-
Date: / /	Approved:

Supplier's/Purchaser's No. _____	
<b>CBI</b>	
<b>LIGO PROJECT LEAK TEST ARRANGEMENT</b> MECHANICAL VACUUM PUMP LINE SUBASSEMBLY	
Customer's No. _____	Contract No. 930212ER
By BSA Chkd RDS Date 3-11-94	Dwg. ER-66 Rev. 2
J. L. RINGELSTETTER Engineering Supervisor	
Sheet - 2	
<b>LIGO-D950066-02-B</b>	

▶ INDICATES CHANGE FROM PREVIOUS ISSUE

CAD FILE 30212066.DGN