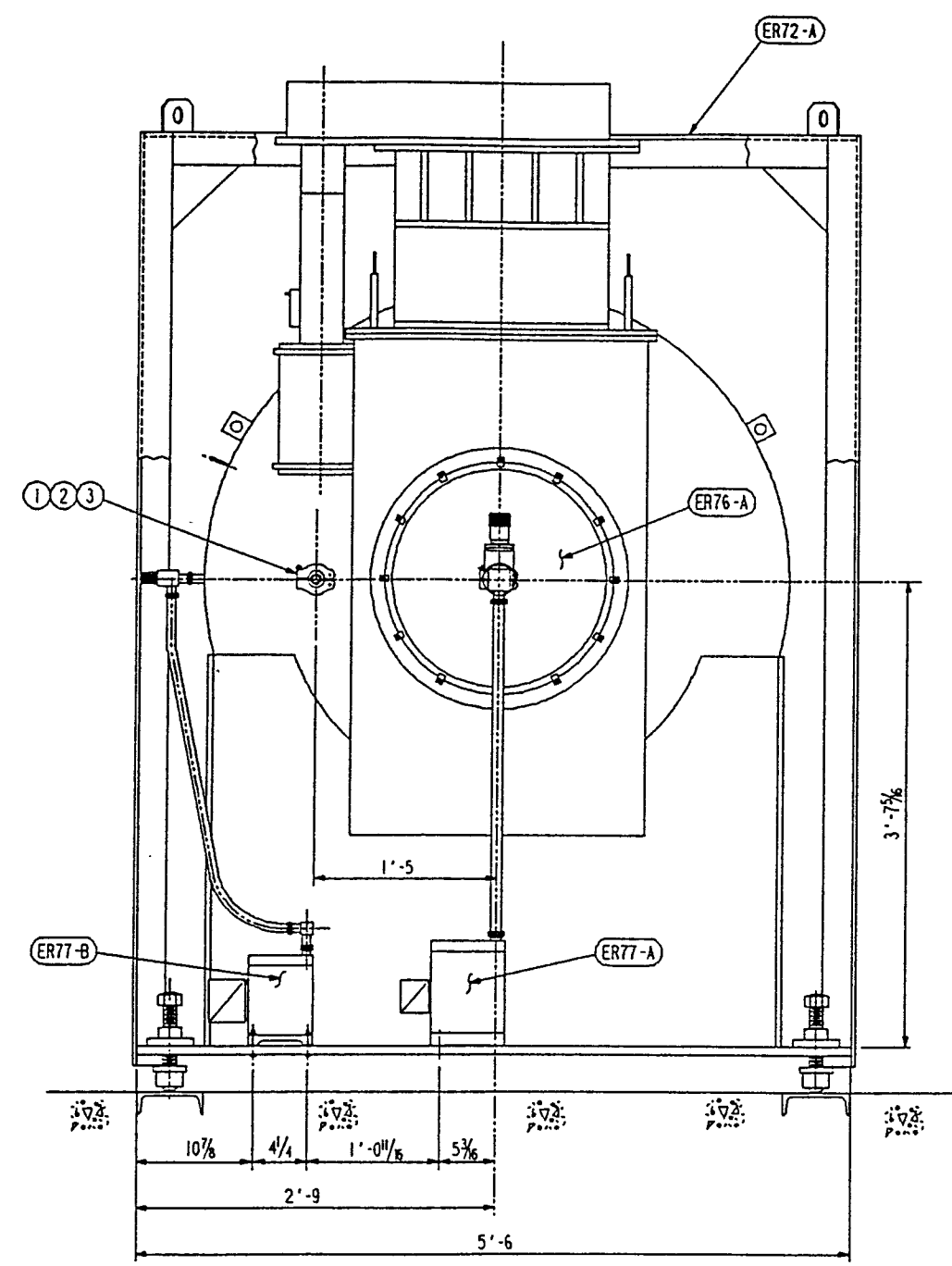


RIGHT SIDE VIEW



— A —

SHP PC	MARK	ASSY PC	DESCRIPTION	LENGTH		SPEC	EST WEIGHT
				FT	INCHES		
* 1	ER71-A		COLD TRAP END SEAL ASSEMBLY				X
	ER72-A	I	CARRIAGE SUBASSEMBLY				X
	ER76-A	I	COLD TRAP LINE SUBASSEMBLY				X
	ER77-A	I	COLD TRAP EVACUATION LINE SUBASSY				X
	ER77-B	I	INTERSPACE VACUUM PUMP LINE				X
			PERMEATION HELIUM STANDARD LEAK CONNECTION				
	ER71-1	I	CENTERING RING DN 16 KF "LEYBOLD"			STN/NITON	X
			CAT.NO. 88346 OR EQUAL				
	ER71-2	I	BLANK FLANGE DN 16 KF "LEYBOLD"			STN STL	X
			CAT.NO. 88436 OR EQUAL				
	ER71-3	I	CLAMP DN 16 KF "LEYBOLD" CAT.NO.18341			ALUN	X
			OR EQUAL				

\* BILLING FOR 1 + 3 REQUIRED.

Date Received: 11/10/95	LIGO-D950071-02-B Contractor # CBI ER-71, Rev. 2
TIM #:	LIGO-
Date: / /	Approved:
TDM #:	LIGO-
Date: / /	Approved:
Gen'l Transmittal	LIGO-
Date: / /	Approved:

APPROVED

*M. Jellalain*      11/10/95  
CBI                      DATE

*J. Jones*              11/10/95  
CALTECH              DATE

CAD FILE 30212071.DGN

▶ INDICATES CHANGE FROM PREVIOUS ISSUE

Supplier's/Purchaser's No. _____	
<b>CBI</b>	
<b>LIGO PROJECT LEAK TEST ARRANGEMENT COLD TRAP END SEAL ASSEMBLY</b>	
Customer's No. _____	Contract No. 930212ER
By BSA Chkd ROS Date 3-1594	Dwg. ER-71 Rev. 2
J. L. RINGELSTEITER Engineering Supervisor	Sheet - 2
<b>LIGO-D950071-02-B</b>	