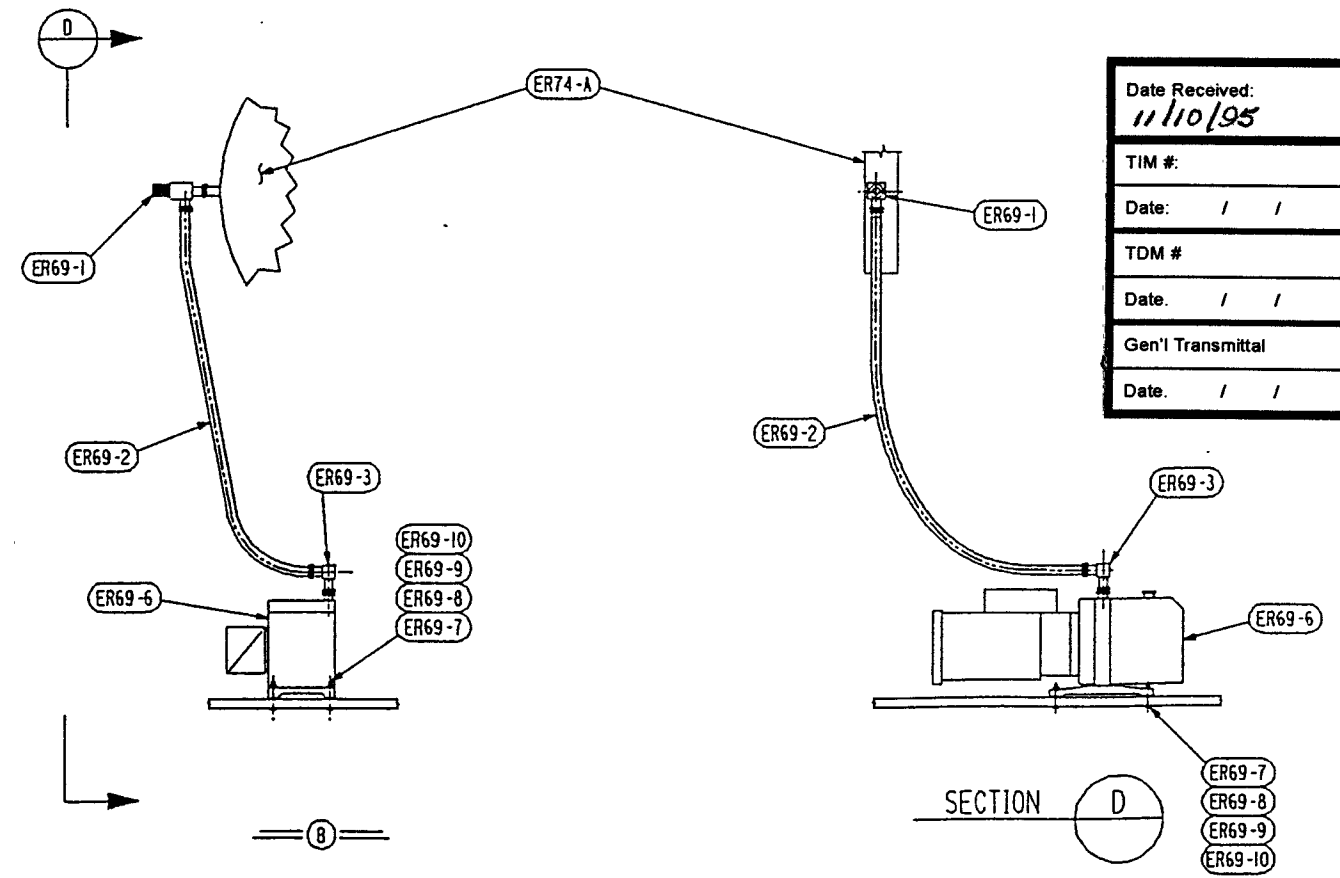
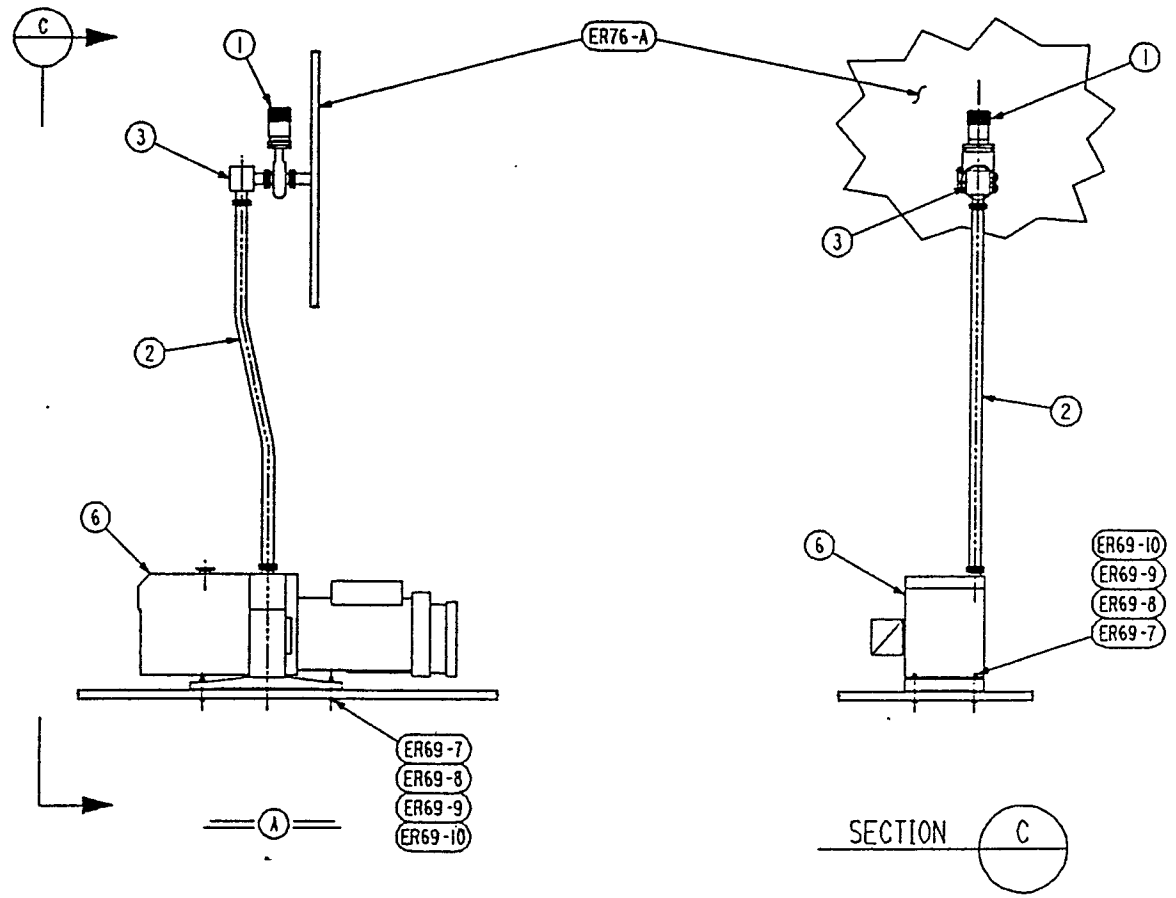


SUB ASSY
ASSY DWG
ER-71



Date Received:	11/10/95	LIGO-D950077-02-8
TIM #:		Contractor # CBI ER-71, Rev.2
Date: / /		Approved:
TDM #		LIGO-
Date: / /		Approved:
Gen'l Transmittal		LIGO-
Date: / /		Approved:

APPROVED

M. Jellalian 11/10/95
CBI DATE

J. H. Calter 11/10/95
CALTER H DATE

MARK	ASSY PC	DESCRIPTION	LENGTH		SPEC	EST. WEIGHT
			FT	INCHES		
* 1	ER77-A	COLD TRAP EVACUATION LINE				X
	ER77-1	1 KF BELLOWS-SEALED STRAIGHT-THROUGH VALVE W/QUICK-ACTING KNOB MANUALLY OPERATED. DN 25 KF "LEYBOLD" CAT. NO. 289 12 OR EQUAL			STN STL	X
	ER77-2	1 METAL HOSE DN 25 KF "LEYBOLD" CAT. NO. 86803 OR EQUAL	3	4	STN STL	X
	ER77-3	1 ELBOW, 90° DN 25 KF "LEYBOLD" CAT. NO. 88462			STN STL	X
	ER77-4	4 CENTERING RING DN 25 KF "LEYBOLD" CAT. NO. 88347 OR EQUAL			STN/VITON	X
	ER77-5	4 CLAMP DN 25 KF "LEYBOLD" CAT. NO. 18342 OR EQUAL			ALUM	X
	ER77-6	1 TRIVAC 8 ROTARY VANE PUMP MODEL D25B 20.9 CFM (590 LTR/MIN), POWER 1/2 HP VOLTAGE 208-230/460 VAC. FREQ. 60 HZ CAT. NO. 91276-2 OR EQUAL				85
	ER69-7	4 BOLT 1/4 DIA REG FIN HEX HEAD	0	3	A307B	1
	ER69-8	4 NUT 1/4 DIA HEAVY HEX			A563A	-
	ER69-9	8 PLAIN WASHER 1/4 DIA WIDE			CARB STL	-
	ER69-10	4 LOCK WASHER 1/4 DIA STD SPLIT TYPE			CARB STL	-
* 1	ER77-B	INTERSPACE VACUUM PUMP LINE ASSEMBLY				X
	ER69-1	1 KF BELLOWS-SEALED RIGHT-ANGLE VALVE W/QUICK-ACTING KNOB MANUALLY OPERATED DN 16 KF "LEYBOLD" CAT. NO. 288 11 OR EQUAL	0	1 1/2	STN STL	X
	ER69-2	1 PVC HOSE COMPLETE DN 16 ISO-KF 1000 MM -LENGTH NOM. "BALZERS" ORDER NO. BP 226 415-T OR EQUAL	3	4	PVC	X
	ER69-3	1 ELBOW 90° DN 16 KF "LEYBOLD" CAT. NO. 88461 OR EQUAL	0	7/8	STN STL	X
	ER69-4	4 CENTERING RING DN 16 ISO-KF "BALZERS" ORDER NO. BP 213 144-T OR EQUAL			STN/VITON	X
	ER69-5	4 CLAMPING RING DN 16 ISO-KF "BALZERS" ORDER NO. BP 217 426-T OR EQUAL			ALUM	X
	ER69-6	1 TRIVAC 8 ROTARY VANE PUMP MODEL D4B 3.4 CFM (96 LTR/MIN), POWER 1/3 HP. VOLTAGE 115/200-230 V(AC). FREQ. 50/60 HZ PHASE 1. WIRED FOR 115 V. W/HYDROCARBON OIL. "LEYBOLD" CAT. NO. 91245-1 OR EQUAL				51
	ER69-7	4 BOLT 1/4 DIA REG FIN HEX HEAD	0	3	A307B	1
	ER69-8	4 NUT 1/4 DIA HEAVY HEX			A563A	-
	ER69-9	8 PLAIN WASHER 1/4 DIA WIDE			CARB STL	-
	ER69-10	4 LOCK WASHER 1/4 DIA STD SPLIT TYPE			CARB STL	-

* BILLING FOR 1 : 3 REQUIRED.

NOTES:

- WORK THIS DWG WITH DWG ER-69, ER-71, AND ER-76.

Supplier's/Purchaser's No.	
CBI	
LIGO PROJECT LEAK TEST ARRANGEMENT	
COLD TRAP END SEAL COLD TRAP EVACUATION LINE SUBASSY INTERSPACE VACUUM PUMP LINE SUBASSY	
Customer's No.	Contract No.
By BSA Chkd RDS Date 3-16-94	930212ER
J.J. RINGELSTETTER Engineering Supervisor	Dwg. ER-77 Rev. 2 Sheet - 2
LIGO-D950077-02-B	

INDICATES CHANGE FROM PREVIOUS ISSUE

CAD FILE 1_30212017.DGN