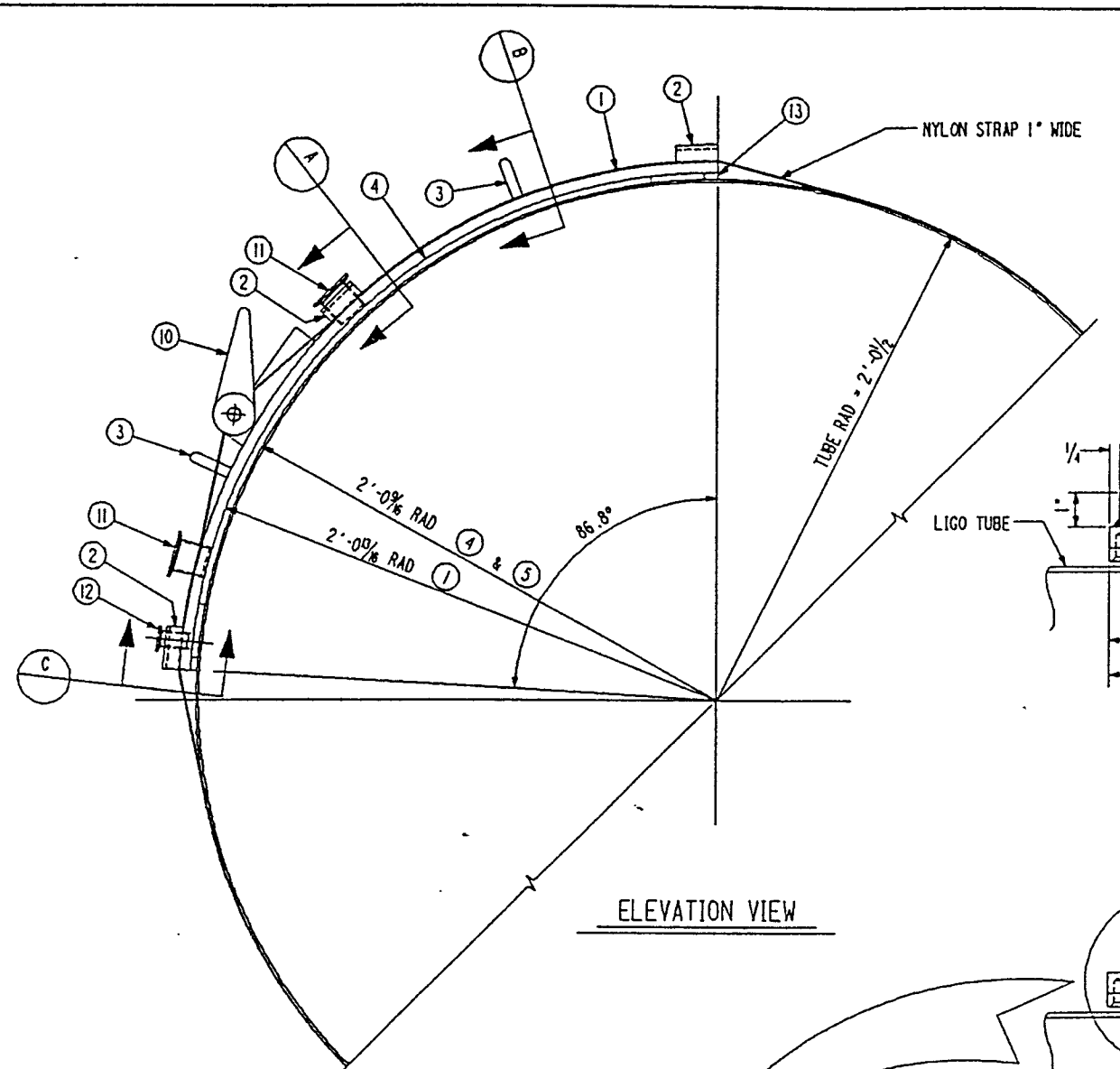


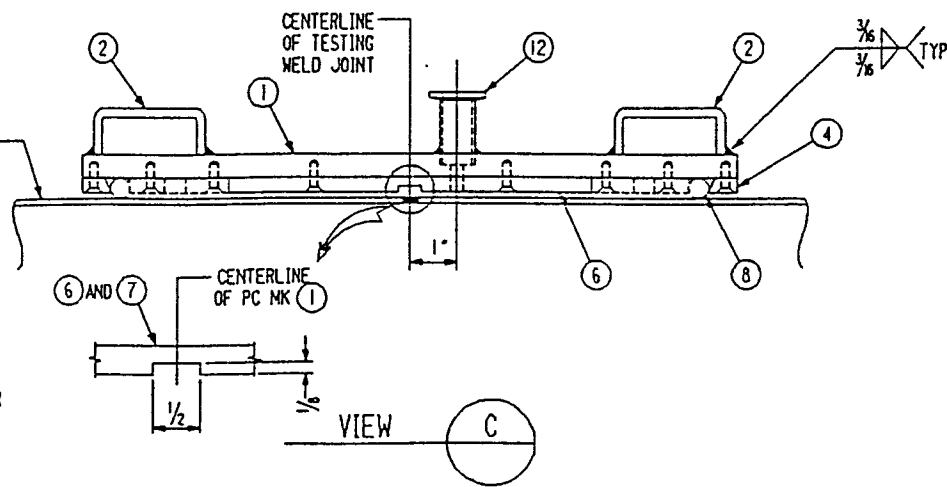
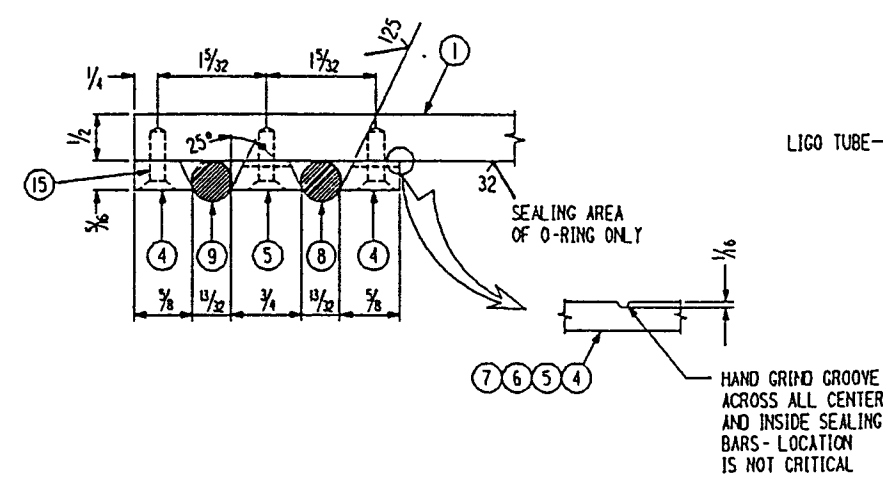
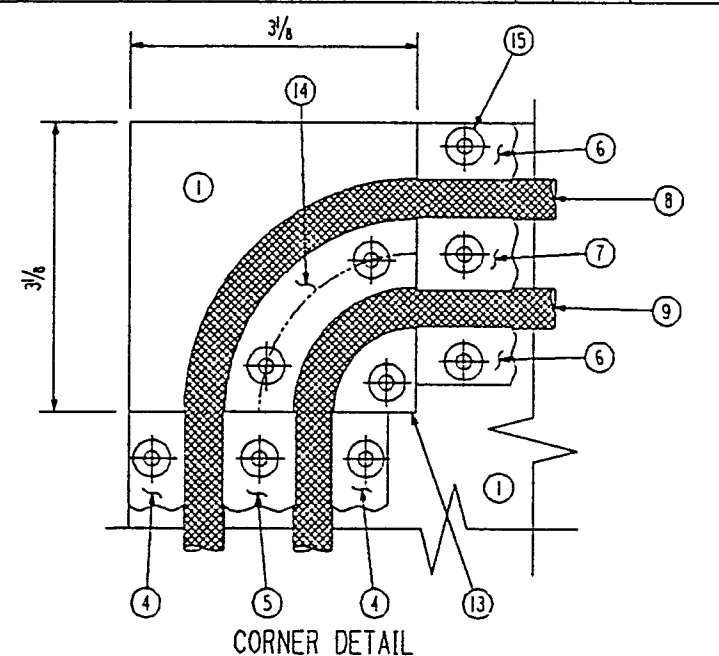
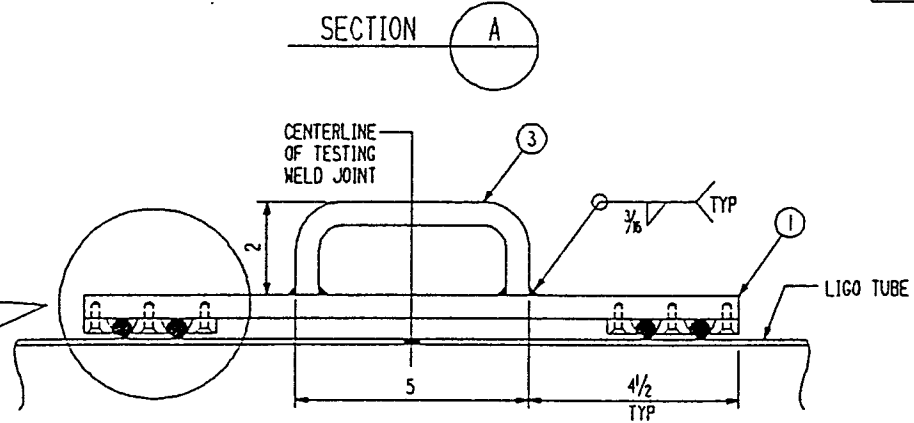
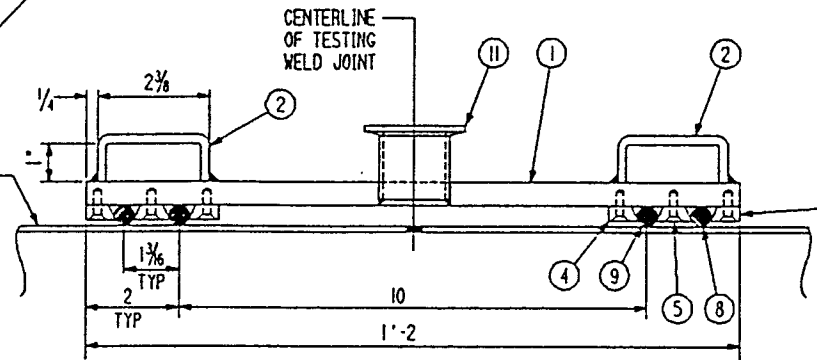
DATE: 11/10/95	TIME: 11:00 AM	LIGO- / /	Approved: / /	Gen'l Transmittal	LIGO- / /	Approved: / /
----------------	----------------	-----------	---------------	-------------------	-----------	---------------



APPROVED

*M. Jellalian* 11/10/95  
 CBI  
 ROLLED EASY WAY

*J. Jones* 11/10/95  
 CBI  
 ROLLED EASY WAY



SHIP PC	MARK	ASSY PC	DESCRIPTION	LENGTH		SPEC	EST WEIGHT
				FT	INCHES		
1			HELIUM LEAK TEST BOX				X
ER121-1	1		PLATE 14 X 1/2 ROLLED TO 2'-0 1/8" RADIUS	2	10 1/8	AL 6061-T6	X
			DRILLED AND TAPPED				
ER121-2	6		PLATE 2 X 3/8 X SK	0	3 3/8	AL 6061-T6	X
ER121-3	2		ROD 1/2 DIA X SK	0	7 3/8	AL 6061-T6	X
ER121-4	4		BAR 3/8 X SK ROLLED TO 2'-0 1/2" RADIUS	2	7 1/8	AL 6061-T6	X
			MACHINED, DRILLED AND TAPPED				
ER121-5	2		BAR 3/8 X SK ROLLED TO 2'-0 1/2" RADIUS	2	7 1/8	AL 6061-T6	X
			MACHINED, DRILLED AND TAPPED				
ER121-6	4		BAR 3/8 X SK MACHINED, GRINDED,	0	7 3/4	AL 6061-T6	X
			DRILLED AND TAPPED				
ER121-7	2		BAR 3/8 X SK MACHINED, GRINDED,	0	7 3/4	AL 6061-T6	X
			DRILLED AND TAPPED				
ER121-8	1		50 DUROMETER RUBBER O-RING SEC. 1/8" DIA	7	4 1/8	BUTIL	X
ER121-9	1		50 DUROMETER RUBBER O-RING SEC. 1/8" DIA	7	2 1/8	BUTIL	X
ER121-10	2		TIE DOWN RACKET W/ NYLON STRAP 1" WIDE				X
ER121-11	2		FLANGE, LONG WELD STUB DN 40 ISO-KF	0	1.575	SS	X
			"LEYBOLD" CAT. NO. 899624 OR EQUAL				
ER121-12	1		FLANGE, LONG WELD STUB DN 16 ISO-KF	0	1.575	SS	X
			"LEYBOLD" CAT. NO. 899621 OR EQUAL				
ER121-13	4		BAR 3/8 X SK MACHINED, DRILLED AND TAPPED			AL 6061-T6	X
ER121-14	4		BAR 3/8 X SK MACHINED, DRILLED AND TAPPED			AL 6061-T6	X
ER121-15	78		MACHINE SCREW 8-32 STD SLOTTED 100"	0	3/8	ZINK PLTD	X
			FLAT COUNTERSUNK HEAD				

**NOTES:**

1. WORK THIS DWG WITH DWG ER-122 (FORMERLY ER-123).

Supplier's/Purchaser's No. _____	
<b>CBI</b>	
<b>LIGO PROJECT</b> CIRCUMFERENTIAL LEAK TEST BOX (FORMERLY ER-122)	
Customer's No. _____	Contract No. <b>930212ER</b>
By <b>RWP Chkd DNS</b> Date <b>6-1-94</b>	Dwg. <b>ER-121</b> Rev. _____
Engineering Supervisor	
<b>LIGO-D950079-04-B</b>	