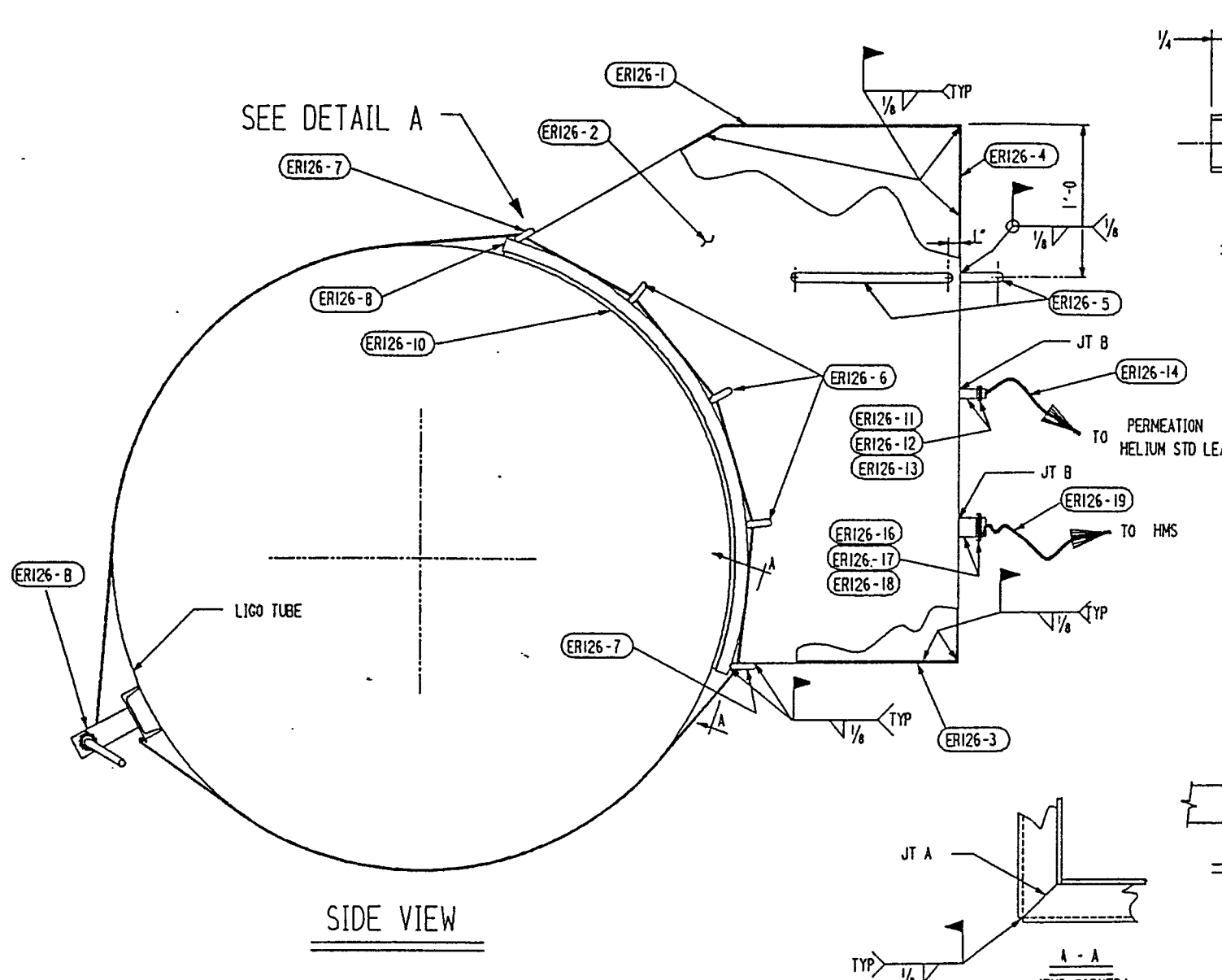
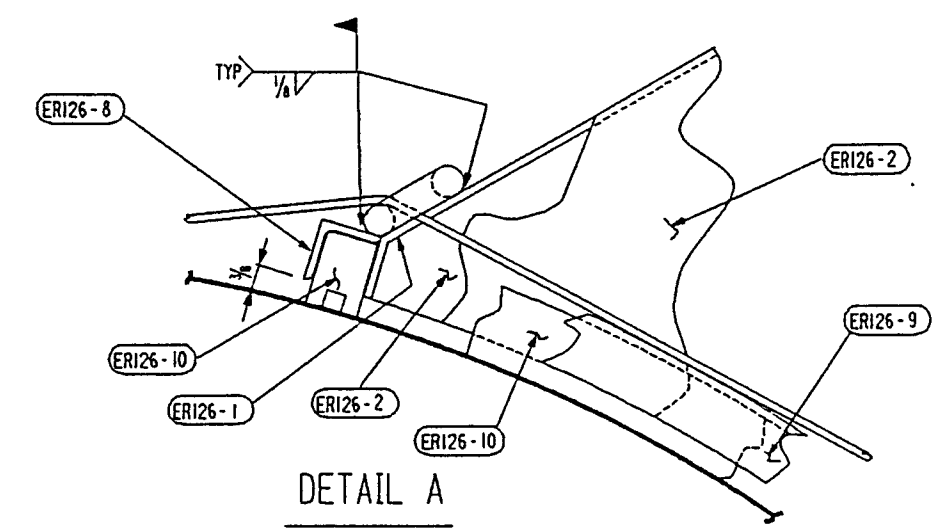


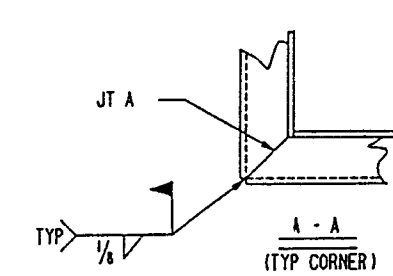
Gen'l Transmittal	LIGO-	Approved:
Date: / /		
TDM:	LIGO-	Approved:
Date: / /		
TIME:	LIGO-	Approved:
Date: / /		



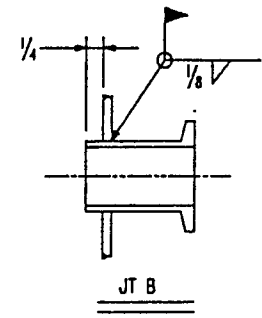
SIDE VIEW



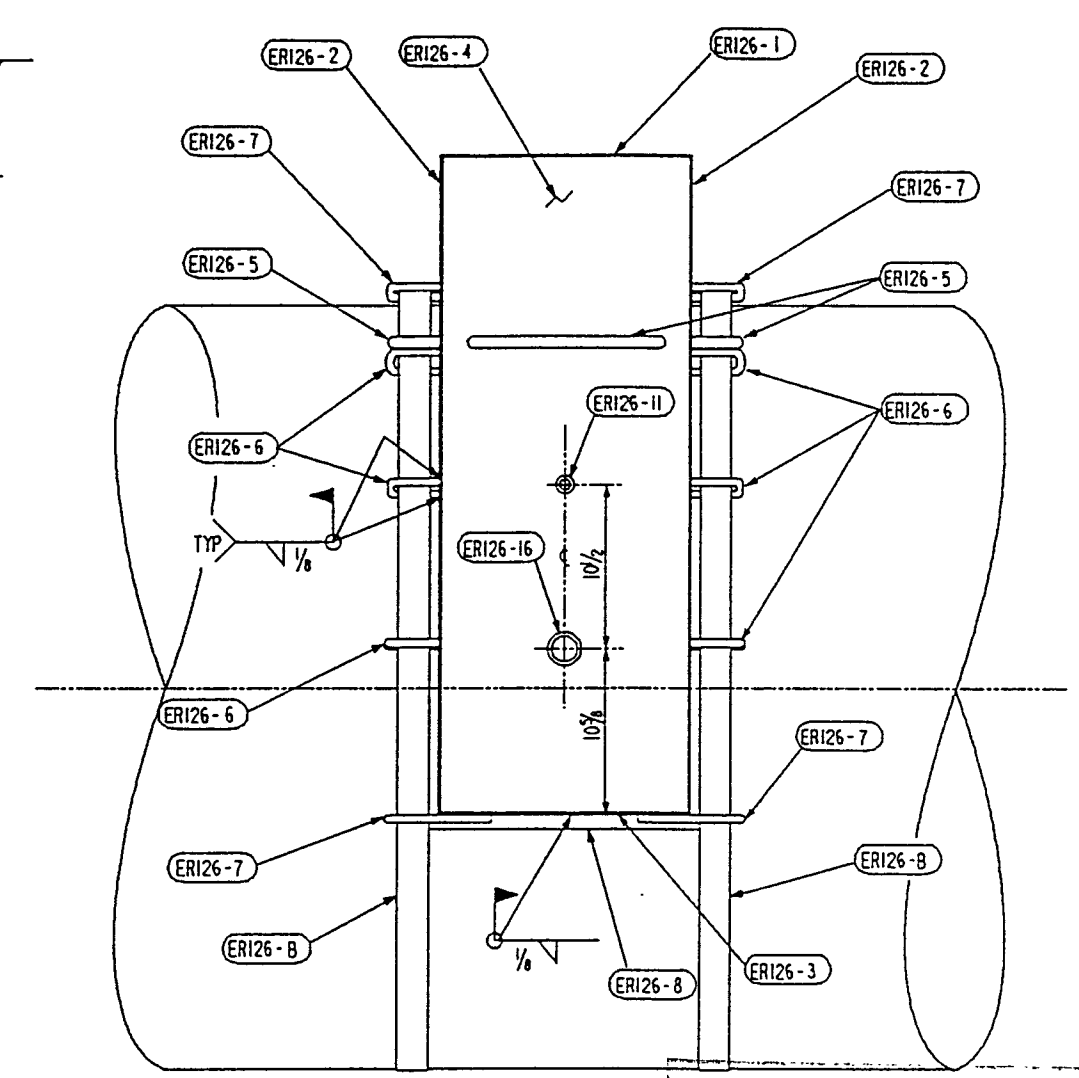
DETAIL A



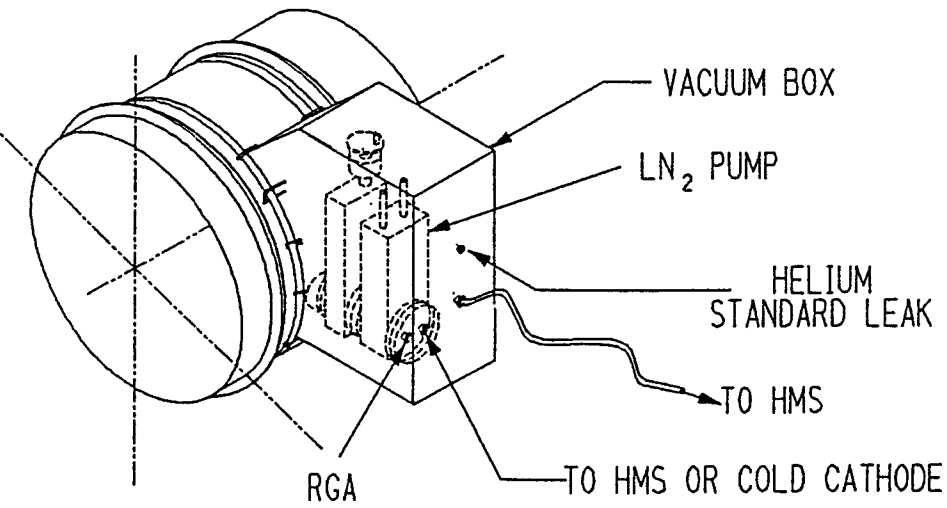
A - A  
(TYP CORNER)



JT B



ELEVATION



*M. Jellalian* 11/10/95  
 CBI  
*J. Jones* 11/10/95  
 CALTEX

Supplier's/Purchaser's No.		Customer's No.		Contract No.	
CBI		930212		930212	
By RDS Chkd Date 2-28-94		Dwg. ER125		Rev. 2	
JIM RINGELSTETTER Engineering Supervisor		Sheet			
LIGO-D950082-02-B					

INDICATES CHANGE FROM PREVIOUS ISSUE